



CZ SHADOW

*INSTRUCTION MANUAL
MANUAL DE INSTRUCCIONES
NÁVOD NA POUŽITÍ
BEDIENUNGSANLEITUNG
MODE D'EMPLOI*



Before handling the pistol read this manual carefully and observe the following safety instructions.

Improper and careless handling of the firearm could result in accidental discharge and cause injury, death or damage to property. The same repercussions can be caused by unauthorized modifications or adjustments, corrosion, or use of non-standard or damaged ammunition. In these cases the manufacturer shall not be responsible in any manner whatsoever for the resulting consequences. Before leaving the factory the firearm was tested, inspected, and packaged in accordance with company policy. Ceska zbrojovka a.s. cannot accept responsibility for product handling whilst in transit after dispatch from the factory. Therefore, examine the firearm carefully upon receipt to ensure that it is unloaded and undamaged.

This instruction manual should always accompany the firearm in the event of loan or further sale.

CONTENTS

SAFETY INSTRUCTIONS	2
DESCRIPTION AND TERMINOLOGY	4
OPERATING INSTRUCTIONS	6
Ammunition	6
Magazine Loading	6
Pistol Loading	6
Reloading During Shooting	7
Unloading the Pistol	7
Engaging the Safety	7
Sights Adjustment	8
Setting the Magazine Catch	8
Setting the Trigger Mechanism	8
Assembling the Accessories	9
MAINTENANCE INSTRUCTIONS	10
Stripping for Cleaning - Disassembly	10
Buffer Replacement	10
Firing Pin Disassembly	11
Magazine Disassembly	11
Cleaning the Pistol	11
Cleaning the Barrel Bore and the Cartridge Chamber	11
Cleaning of Other Pistol Parts	12
Preserving the Pistol	12
Waste Management	12
TROUBLESHOOTING, CAUSES AND REMEDIES	13
LIST OF PARTS	14
ADAPTER FOR CZ KADET IN CALIBER .22 LR	15
LIST OF ILLUSTRATIONS	17

SAFETY INSTRUCTIONS

Always follow the safety instructions for your safety and the safety of others.

1. Always handle your firearm as if it were loaded.
2. Never point your firearm at anything you do not intend to shoot at. Also never point a firearm at anybody even in fun.
3. Never take anyone's word that the firearm is unloaded.
4. Always make sure that the firearm is not loaded before laying it down or handing it over to another person.
5. Always store or carry your firearm empty, with the striking mechanism forward except when you intend to shoot.
6. Never abuse the firearm by using it for any purposes other than shooting.
7. Never leave a firearm unattended.
8. Prior to loading the firearm, ensure that the barrel, chamber, and action are clean and clear of obstructions. If the firearm becomes excessively dirty during firing clean it immediately. Always clean the firearm after use.
9. Do not shoot the pistol, unless you are certain about the ammunition you are using. Do not use unmarked or hand-loaded ammunition from an unknown source, ammunition with a cracked, deformed or dented case or with a damaged bullet. Reloading is an expert activity and incorrectly reloaded ammunition may be extremely dangerous. It may result in heavy damage or destruction of the pistol and serious injury or death of the shooter or other persons. Always use clean and dry original high quality commercially manufactured ammunition, which corresponds to the caliber of the firearm.
10. Never drink alcohol or take drugs before and during shooting.
11. Whenever practical always wear safety glasses and ear protection while shooting.
12. Always keep the safety applied when the pistol is loaded with a cartridge in the chamber, until you are ready to fire. Keep the firearm pointed in a safe direction when disengaging the safety.
13. Always keep the ejection port clear of obstructions and people.
14. Never pull the trigger or put your finger within the trigger guard unless you are aiming at a target and ready to fire.
15. Always make absolutely sure of your target and the area behind it before pulling the trigger. The bullet can pass through or past the target up to several hundred meters.
16. Never shoot at a hard surface such as rock, or a liquid surface such as water.
17. Never fire near an animal unless it is trained to withstand the noise.
18. Never indulge in "horseplay" while holding the firearm.
19. Failure to fire: In case it fails to fire, hold the firearm keeping it pointed in a safe direction and wait 30 seconds. If a hangfire (slow ignition) has occurred, the

INSTRUCTION MANUAL

cartridge will fire within 30 seconds. If the cartridge does not fire, eject the cartridge and examine it. If the firing pin indent on the cartridge is light, or non-existent, have the firearm examined by a competent gunsmith.

20. Always make sure the firearm is not loaded before cleaning, storing or travelling. Remove any unused ammunition from the pistol and store it in compliance with the law.
21. Always keep and store your firearm and ammunition in separate secure locations out of reach and sight of children and unauthorized people. Always protect the ammunition from sources of heat and open fire.
22. Never alter any parts of your firearm; the safety and proper function of your firearm could be seriously affected.
23. Always be aware that corrosion, use of damaged ammunition, dropping the firearm on hard surfaces or other "rough treatment" can cause damage that is not necessarily obvious at first sight. If something like this happens, have the firearm examined and tested by a competent gunsmith.

DESCRIPTION AND TERMINOLOGY

The names of basic pistol parts used in this Instruction Manual are presented in Fig. 1 on the inner side of the left-hand cover. Nomenclature of all pistol parts are presented in the section *List of Parts*.

Designed particularly for sports shooting up to 50 meters, the CZ Shadow 2 pistol is a semi automatic handgun equipped with locked breech system. It is provided with double action trigger mechanism (SA/DA), hammer safety notch and an ambidextrous manual safety. The characteristic features of all versions include:

- Selective SA/DA firing mechanism operation
- Large capacity double-column magazine
- Comfortable grip and balance in either hand
- Good results at instinctive shooting (without aiming)
- Low trigger pull weight
- The trigger overtravel is defined by means of a distance screw (it is pre-set by the manufacturer)
- High accuracy of fire
- Long service life
- High reliability, even with various types of cartridges
- The slide stays open after the last cartridge has been fired
- Suitable for Combat shooting
- The sights comprise of a fiber optic front sight and height-adjustable rear sight, on special request micrometrical sights can be installed
- The front part of the frame is equipped with mounting rails (MIL-STD-1913) which serve for the purpose of the attachment of special accessories

The Shadow Optics Ready pistols are factory modified for easy and very stable installation of modern compact collimator sights from a broad range of proven manufacturers (e.g. Trijicon, Vortex, Meopta, Leupold). The main advantages of the CZ Optics Ready pistols include:

- exceptional robustness, strength and durability of the mount
- low mount height
- easy sighting of the collimator sight even at longer distances
- compatibility with many popular collimator sights (the sight is not included in the package)
- the design corresponds to the shape of standard CZ pistols

INSTRUCTION MANUAL

The CZ Shadow 2 Target pistols are factory -modified firearms for sports shooting. Their main advantages include:

- SA single-action trigger mechanism
- adjustable trigger mechanism (trigger pull, overtravel, slack and trigger reach)
- The front section of the frame is fitted with a mounting interface for special accessories

Versions	Operation	Manual Safety	Safety Stop on Hammer
CZ Shadow 2	SA/DA	yes	yes
CZ Shadow 2 Orange	SA/DA	yes	yes
CZ Shadow 2 OR	SA/DA	yes	yes
CZ Shadow 2 SA	SA	yes	yes
CZ Shadow 2 Target	SA	yes	yes
CZ Shadow Compact	SA/DA	yes	yes
CZ 75 SP-01 Shadow	SA/DA	yes	yes

Comments:

SA (Single Action)

The trigger mechanism operates in a single action mode of fire. The hammer is cocked manually and then after pressing the trigger the pistol is fired. The trigger travel is short, and pull weight is low. After each discharge the hammer remains cocked.

DA (Double Action)

The trigger mechanism operates in a double action mode of fire. The hammer is cocked, released and the pistol fired by one pull of the trigger. The trigger travel is longer, and trigger pull weight is higher than at SA mode of fire.

Safety Stop on the Hammer

A half-cock safety notch is on the hammer so as to prevent it from striking the firing pin when the hammer is manually cocked, and a thumb possibly slips. When the hammer hits the safety stop, it is not touching the firing pin stop, but its position is set back.

OPERATING INSTRUCTIONS

Ammunition

Always use ammunition in an allowable production design which is in compliance with standards applicable for ammunition manufacturers and is approved by the CIP (Permanent International Commission for Firearms Testing) or SAAMI (Sporting Arms and Ammunition Manufacturers' Institute Inc. of the United States). The use of other cartridges could damage the handgun or cause injury to the shooter. When using factory-made ammunition with standard speed, the use of firearms produced by Česká zbrojovka a.s. is safe. Check the ammunition you are going to use to make sure that it corresponds to the caliber of your firearm. Commercially produced ammunition is clearly marked with the caliber on the bottom or around the bottom of each cartridge case.

Removing of the Magazine

Grip the pistol in your right or left hand and depress the magazine catch located by the thumb or middle finger (Fig. 2). The magazine disengages and falls out of the frame. This pistol model is equipped with the user type magazine catch which can be reversed by gunsmith for the right or left hand operation.

Magazine Loading

With the open end uppermost, grasp the magazine in one hand. Place a cartridge on the magazine follower. Press the cartridge down and back until it touches the rear edge of the magazine. Place the next cartridge on top of the previous cartridge and press down and back as previously described. We recommend that when some cartridges are loaded in the magazine, depress them slightly with the thumb of the hand which holds the magazine.

The number of cartridges can be checked through the inspection holes in the sides of the magazine. Do not try to exceed the magazine capacity - doing so can cause a feeding failure.

Pistol Loading

ALWAYS MAKE SURE THE PISTOL IS POINTED IN A SAFE DIRECTION WHEN LOADING!

Insert a loaded magazine and ensure that it has engaged the magazine catch properly.

Hold the pistol by the grip with one hand, and with the thumb and index finger grasp the serrated finger grips on both sides of the slide. Retract the slide to the stop and allow it to snap forward (Fig. 3). This procedure cocks the hammer and inserts a

cartridge into the chamber. The pistol is now ready to fire. If you do not intend to fire immediately ensure the pistol safety by one of the methods mentioned in the section: *Engaging the Safety Mode*.

Reloading During Shooting

When the last cartridge has been fired the slide will stay to the rear. Remove the empty magazine and replace it with a loaded one. Depress with the thumb the slide stop with the shooting hand (Fig. 4), or retract the slide with the other hand and allow it to snap forward (Fig. 3). The pistol is again loaded and ready to fire.

Unloading the Pistol

ALWAYS MAKE SURE THE PISTOL IS POINTED IN A SAFE DIRECTION!

- Remove the magazine
- Draw back the slide and verify the last cartridge has been extracted from the chamber and ejected
- Release the slide vigorously forward
- Pull the trigger (aimed safety shot into a safe area)

Engaging the Safety

Push the safety up to the Safety-On position (Fig. 5) until the red warning dot is covered. The safety in this position blocks the trigger mechanism and slide, thus preventing the pulling of the trigger and operating the slide.

Since the trigger mechanism has been specifically adjusted, it is possible to move the safety onto the "SAFE" position even if the hammer is placed on the safety notch. In this case, however, it is strongly not recommended to engage the safety because the trigger mechanism might be damaged when cocking the hammer by force or pulling the trigger. If damage to the trigger mechanism occurs, let it be repaired by a certified gunsmith.

Besides the method previously described it is possible to put the pistol into a safety mode and still be ready to fire immediately:

Load the pistol. Grasp the grip, **POINT IN A SAFE DIRECTION**. With a thumb press on the grooved area (thumb piece) of the hammer, pull the trigger and release the hammer slowly forward (Fig. 6) until it rests on the action or safety notch of the hammer. Release the trigger. Practice this operation very carefully to avoid an accidental discharge! We strongly recommend practicing this operation beforehand with the pistol unloaded!

In this state the pistol is safe for all normal handling and at the same time ready for immediate use.

Please remember that the safest way to secure a pistol is to unload it and store it in a safe place!

Sights Adjustment

The pistol sights were zeroed in at the factory at a distance of 25 m so that the mean point of impact approximately conforms to the point of aim.

The windage can be corrected by shifting the rear sight within the dovetail. Prior to the adjustment it is necessary to loosen the screw securing the rear sight against falling out. Once the rear sight has been adjusted it is necessary to tighten the screw again and secure it with the application of the Loctite 243. Elevation can be corrected by turning the screw.

In case of a requirement, there is an option to exchange the usual rear sights for another sight of a suitable type, or as the case may be to also exchange the front sight, which is secured by a roll pin. These adjustments should be entrusted to a competent gunsmith.

In the case of the CZ Shadow 2 Target variant, windage adjustment is carried out by turning the screw on the right side of the rear sight, and elevation adjustment is conducted by turning the screw on the top of the rear sight (Fig. 7). The firearm has a factory-mounted wider front sight, and a narrower front sight is supplied together with the firearm. The rear and front sights are secured against falling out by screws locked by application of Loctite 243.

Setting the Magazine Catch

The finger piece of the magazine catch can be set in three positions. When you choose the desired position, secure the screw in the thread using medium strength Loctite 243 threadlocker.

The CZ Shadow 2 Compact does not come with an adjustable finger piece, though it can be replaced with one.

The CZ Shadow 2 Target variant enables rotating the magazine catch and mounting it from the right side of the firearm, or replacing it by another magazine catch of a suitable type.

Setting the Trigger Mechanism

IT ONLY APPLIES TO THE CZ SHADOW 2 TARGET VARIANT

Trigger reach

Trigger reach can be adjusted in five positions. In order to change the adjustment, it is necessary to loosen the trigger grip locking screw, and then the trigger grip can be shifted. Before tightening the screw, always make sure that the

mark on the trigger grip matches the mark on the trigger base (Fig. 8). Secure the screw by applying Loctite 243 and tighten by 1 Nm at max.

Trigger pull

In the manufacturing factory, trigger pull is set to 10 N. The screw for trigger pull adjustment is in the ejector (Fig. 9), and it can be accessed after the slide has been removed using the method stated further in the *Disassembly for Cleaning* section.

Tightening the screw increases the pull, while loosening the screw decreases the pull. Once the desired position is reached, the screw shall be secured by applying Loctite 243.

The manufacturer does not recommend setting the trigger pull at a value lower than 10 N. If the trigger pull is set to a value higher than 10 N, it may be necessary to set a higher overtravel in order to ensure the reliable function of the hammer. As the firearm is being used and worn, the set pull can change and, therefore, we recommend checking its adjustment regularly.

Trigger movement length

The screws setting the overtravel and the trigger slack are set to optimum values in the manufacturing company (Fig. 10). Setting a too short trigger slack can result in lower reliability of the firearm. Excessively decreased trigger overtravel can lead to the hammer not being possible to release. On the other hand, too short trigger slack can result in the hammer not being captured in its rear position. We recommend that setting of the screws be entrusted to a professional workshop.

CAUTION:

In order to facilitate setting, the firearm is supplied with unlocked trigger screws. They include the trigger grip locking screw, the trigger pull setting screw, the trigger overtravel and trigger slack setting screw (all these screws are highlighted in Figures 8, 9 and 10). Before firing, the screws shall be secured by applying Loctite 243!

Assembling the Accessories

IT ONLY APPLIES TO THE CZ SHADOW 2 TARGET VARIANT

The front side of the firearm frame is fitted with a mounting interface. The frame insert with screws and the 100g weight (Fig. 11) are not included in the firearm packaging, but they can be additionally purchased from CZ. These additional weights can be layered on top of each other.

In order to mount the accessories, it is necessary to disassemble the firearm using the method provided below in the *Disassembly for cleaning* section.

MAINTENANCE INSTRUCTIONS

Stripping for Cleaning - Disassembly

POINT YOUR PISTOL IN A SAFE DIRECTION!

1. Remove the magazine. The pistol must not be disassembled with the magazine inserted!
2. Put the safety to the "OFF" position, in order to release the movement of the slide.
3. MAKE SURE THAT THERE IS NO CARTRIDGE IN THE CHAMBER!
4. Retract the hammer slightly back and then release it, until it stops on the half-cock (safety) notch position. In this state the handling which follows will be easier.
5. Put your left thumb through the trigger guard and with the other hand grasp the forward part of the slide firmly (Fig. 12). Push the slide slightly back until the two vertical lines on the rear part of the frame and slide are in line with each other.
6. KEEPING THE LINES ALIGNED push (tap) the slide stop from the right hand side of the weapon, e.g. using the magazine base (Fig. 13). Remove the slide stop from the left.
7. Pull the slide and the barrel forward off the frame.
8. Remove the recoil spring and guide and finally the barrel.

For CZ Shadow 2 Orange with removable bushing, remove the recoil spring plug and rotate the bushing clockwise by 40° and slide it out of the slide (use the disassembly tool provided with the firearm to turn the bushing). Remove the recoil spring plug.

When reassembling, make sure that the recoil spring guide does not protrude from the slide. Incorrect assembly may damage the frame and shorten the service life of the recoil spring.

9. Remove the barrel from the slide.

No further disassembly is needed for routine maintenance. When a great number of cartridges has been fired, it is advisable to also disassemble magazine.

Buffer Replacement

A rubber buffer is installed on the recoil spring guide. This buffer serves for buffering the impact of the slide against the firearm frame. If it is worn (checked visually), it shall be replaced. Preventative replacements are recommended after firing approximately 1,000 to 1,500 rounds.

Firing Pin Disassembly

Push in the rear end of firing pin using a suitable tool, below the level of the firing pin stop, and press the firing pin stop approximately 2 mm down. Then cover the firing pin stop with your thumb in order not to lose the spring-loaded firing pin, and with the other hand pull the firing pin stop completely out of the slide. Be very careful at this stage of the disassembly procedure, as the firing pin is spring-loaded and could fly out, getting lost, or even causing injury.

Magazine Disassembly

The procedure depends on the magazine design. If the magazine base is provided with a hole, push on the base catch through the hole and shift the magazine base slightly forward. If the rear part of the magazine is provided with a shifting magazine bottom lock, move the magazine base lock to the disassembly position and then move the magazine base slightly forward (Fig. 14). Cover the base with your thumb to prevent losing the magazine spring and with the other hand take off the base from its guiding rails. Be careful during the disassembly as the spring could fly out, or even cause an injury.

CAUTION:

No further disassembly of your pistol is recommended. Should your pistol require adjustment or repair be sure the task is entrusted to a competent gunsmith!

Cleaning the Pistol

Clean the pistol

- Each time you use it.
- If you get your pistol wet.
- As soon as possible after shooting.
- At least once a year in a temperate climate.
- At least once a month in a tropical climate, or other demanding environments.

Cleaning the Barrel Bore and the Cartridge Chamber

If the pistol has not been fired or if only a few cartridges have been fired, clean the barrel and chamber with a clean patch attached to the cleaning rod. Repeat the cleaning, changing patches, until the last patch comes out clean.

When the barrel is very dirty, apply a gun cleaning solution using a cleaning brush. Let the solvent act for about 10 minutes (this time may vary depending on the solvent agent being used). Then thoroughly scrub out the barrel. Subsequently, dry the barrel and chamber with a clean patch and check that all powder residues or fouling have been removed. If necessary repeat this procedure.

The cleaning rod and the brush must be inserted into the barrel from the chamber, to prevent wear or damage to the muzzle. Pass the brush all the way through the barrel before reversing the movement. If you try to change directions with the brush in the barrel, the brush could stick.

Cleaning of Other Pistol Parts

Other parts of the pistol (including the external surfaces of the barrel) can be cleaned with a dry cloth, old toothbrush, brass bristle brush or a wooden scraper. Preserving oil or paraffin oil can be used for proper cleaning. Never use an agent designed for barrel cleaning. These solutions could remain in the joints, and after some time could cause corrosion.

Check that cloth particles or brush bristles have not become lodged in any part of the pistol.

Preserving the Pistol

When the barrel, chamber, and all accessible parts are clean and dry, wipe these parts with a cloth soaked in gun oil or apply the oil in spray form. Remove all excess oil.

For CZ Shadow 2 Orange also preserve the front part of the barrel and the inner diameter of the bushing.

Before shooting always pull through the barrel with a dry patch. At very low temperatures remove the oil from all accessible parts or apply a lubricant especially for these conditions.

Use thick preserving agents such as preserving grease only for long-term storage in severe climatic environments, and remove it thoroughly before use from all parts of the firearm.

Waste Management

When used properly, the materials used in the product and its packaging have no adverse effects on human health or the environment. When disposing of the product or its packaging, metal parts (steel and non-ferrous metals), plastics, wood, paper and cardboard should be stored separately in collecting containers intended specifically for such a purpose.

TROUBLESHOOTING, CAUSES AND REMEDIES

If your pistol is properly used and maintained, malfunctions will rarely occur. However, if such a situation does occur, please observe the following instructions.

CAUTION - If a malfunction occurs, the possibility of an accidental discharge is substantially higher. For this reason, when clearing malfunctions, follow the above mentioned Safety Instructions. Keep the pistol pointed in a safe direction, do not turn the pistol against your body or anyone else's! Do not place your hands in front of the barrel!

Malfunction	Possible Cause	Remedy
A cartridge has not been fed into the chamber or the slide has not fully locked with the barrel	Magazine is not fully inserted or is damaged. The pistol or cartridges are fouled (dirty) or too heavily greased.	Insert magazine properly or change magazine. Clean the pistol and cartridges and wipe them dry or as the situation dictates, slightly lubricate.
Misfire	Defective cartridge. Firing pin hole is fouled (dirty) or improper lubricant was used in low temperature conditions.	Pull the trigger again. If a discharge is not initiated, follow the Safety Instructions according to point 19. Disassemble and clean the firing pin or use a low temperature lubricant.
A shot sounds "weak" combined with failure to eject the cartridge case	The cartridge has been activated but no powder load was inside the cartridge case.	Unload the pistol and check that the bullet has not obstructed the barrel. Any subsequent shot could cause damage to the barrel.
The spent case has not been ejected	Chamber, extractor or ammunition are dirty, or unsuitable lubricant was used in low temperatures.	Clean and wipe the pistol dry or eventually lubricate lightly with a suitable agent. Use new and clean ammunition.

If you are not able to clear the malfunction in the manner described above, entrust the pistol to a competent gunsmith for inspection and repair.

Due to the special features of CZ Shadow 2 Target, the difficult cocking of the slide during the first approximately 2,000 rounds can be accompanied by occurrence of the "Slide failure to lock" and "Failure to eject" malfunction, which should be prevented by thorough lubricating of the slide guide. In no case the recoil spring shall be replaced with a weaker one!

LIST OF PARTS

1 Frame *	32 Magazine Catch *
2 Slide Stop *	33 Magazine Catch Spring
3 Slide Stop Spring	34 Trigger Bar Spring
4 Slide Stop Spring Pin	35 Magazine Catch Spring Screw
5 Trigger *	36 Magazine *
6 Trigger Pin	37 Firing Pin *
7 Trigger Bar	38 Firing Pin Spring
8 Trigger Spring	39 Firing Pin Stop *
9 Pin (3x)	40 Buffer *
10 Ejector	41 Recoil Spring *
11 Sear	42 Recoil Spring Guide *
12 Sear Spring	43 Barrel *
13 Sear Pin	44 Slide *
14 Safety - Right *	45 Front Sight
15 Safety Detent Plunger - Right *	46 Front Sight Pin
16 Hammer *	47 -
17 Disconnecter *	48 -
18 Hammer Pin	49 -
19 Hammer Pin Retaining Peg	50 Extractor *
20 Main Spring Strut *	51 Extractor Pin
21 Main Spring	52 Extractor Spring
22 Main Spring Plug *	53 Rear Sight *
23 Main Spring Plug Pin	54 Securing Screw (2x) *
24 Magazine Guide *	55 Trigger Screw *
25 Magazine Guide Pin	56 Shaped Washer (2x) *
26 Grip Panel - Left *	57 Cover *
27 Grip Panel - Right *	58 Cover screw (2x) *
28 Grip Panel Screw (2x) *	59 Collimator sight plate *
29 Safety - Left *	60 Collimator sight plate screw (2x) *
30 Safety Detent Plunger - Left	61 Bushing *
31 Safety Detent Plunger Spring *	62 Recoil Spring Plug *

The parts marked * differ according to versions, or as case may be in some versions are entirely missing.

ADAPTER FOR CZ KADET IN CALIBER .22 LR

Adapter for the CZ Shadow 2 and CZ 75 SP-01 Shadow pistol in caliber .22 LR can be supplied in the following two versions:

1. The adapter itself, which can be mounted on the frame of any CZ Shadow 2 or CZ 75 SP-01 Shadow pistol
2. Complete CZ Shadow 2 or CZ 75 SP-01 Shadow pistol in caliber .22 LR

The main benefits of the adapter include:

- retaining the typical characteristics of the CZ Shadow pistols
- economy of firing - advantageous especially for training
- easy installation of the adapter on the frame without the necessity of additional alignment

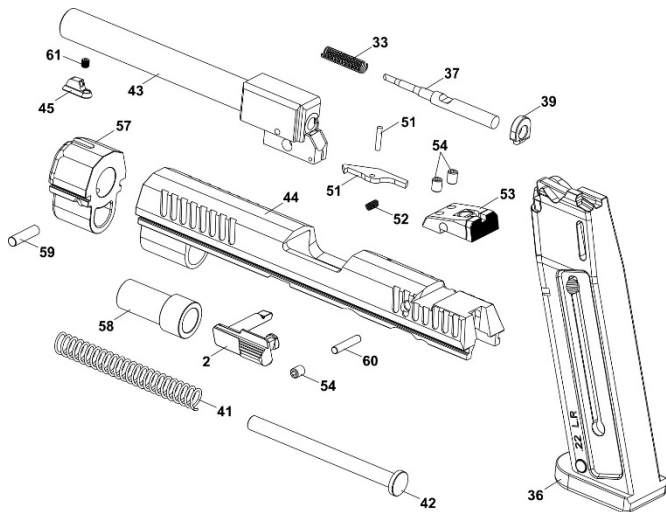
Installation of the adapter

No modifications or additional alignment are necessary for the use of the .22 LR adapter on an existing pistol. Follow the instructions in Stripping for Cleaning - Disassembly and remove the existing slide assembly and mount the .22 LR adapter on the pistol frame. The supplied slide stop marked as "22 LR" and a magazine in caliber .22 LR must be used with the adapter.

Two color-coded recoil springs are supplied with the firearm. The one with blue marking is suitable for weaker versions of .22LR ammunition (e.g. subsonic). The one with red marking is suitable for more powerful ammunition (e.g. high velocity).

INSTRUCTION MANUAL

Illustration and list of parts for the adapter



- | | | | |
|----|---------------------|----|---------------------|
| 2 | Slide Stop | 50 | Extractor |
| 36 | Magazine | 51 | Extractor Pin |
| 37 | Firing Pin | 52 | Extractor Spring |
| 38 | Firing Pin Spring | 53 | Rear Sight |
| 39 | Firing Pin Plate | 54 | Securing Screw (3x) |
| 41 | Recoil Spring | 57 | Adapter |
| 42 | Recoil Spring Guide | 58 | Bushing |
| 43 | Barrel | 59 | Adapter Pin |
| 44 | Slide | 60 | Firing Pin Plug |
| 45 | Front Sight | 61 | Front Sight Screw |

LIST OF ILLUSTRATIONS

1. The names of basic parts
2. Removal of the magazine
3. Pistol loading
4. Slide release from its "rear lock-up" position by depressing slide stop
5. Shifting the safety to the "SAFETY-ON" position
6. Release of the hammer in the version equipped with the manual safety
7. Adjustable rear sight setting
8. Trigger reach setting
9. Trigger pull setting screw
10. A) Trigger overtravel setting screw
B) Trigger slack setting screw
11. Mounting interface for special accessories
12. Setting the slide to the position for disassembly
13. Shifting the slide stop using the magazine base
14. Magazine disassembling

The Company, reserves the right to make any changes it thinks necessary to improve its models or to meet any requirements of manufacturing or commercial nature.

Antes de manipular con la pistola, lea cuidadosamente este manual y observe especialmente las siguientes instrucciones de seguridad.

Un manejo incorrecto y descuidado de la pistola podría producir un disparo no intencionado causando lesiones corporales, muerte o daños a la propiedad. Las mismas consecuencias pueden tener modificaciones no autorizadas, corrosión o uso de una munición no prescrita o averiada. El fabricante no se hará responsable por las consecuencias originadas en estos casos. Antes de abandonar la fábrica, la pistola fue probada, revisada cuidadosamente y empaquetada. CZ no puede controlar la manipulación del producto una vez que el mismo abandone la fábrica. Por esta razón, al comprar esta pistola verifique que la misma esté descargada y sin averías.

Este Manual de Instrucciones deberá siempre acompañar la pistola, incluso cuando el arma fuese prestada o vendida.

CONTENIDO

INSTRUCCIONES DE SEGURIDAD	19
TERMINOLOGÍA Y DESCRIPCIÓN	21
INSTRUCCIONES DE USO	23
Munición	23
Retiro del cargador	23
Cargar el cargador	23
Cómo cargar la pistola	23
Recarga durante el tiro	24
Cómo descargar la pistola	24
Seguro de la pistola	24
Ajuste de miras	25
Ajuste del retén del cargador	25
Ajuste del mecanismo de disparo	25
Montaje de accesorios	26
INSTRUCCIONES DE MANTENIMIENTO	27
Desmontaje del arma para la limpieza	27
Reemplazo del tope	27
Desmontaje del percutor	28
Desmontaje del cargador	28
Limpieza de la pistola	28
Limpieza del ánima y la recámara	28
Limpieza de otras partes de la pistola	29
Conservación	29
Tratamiento de los residuos	29
LISTA DE COMPONENTES	30
ADAPTADOR CZ KADET EN EL CAL. .22 LR	31
ELIMINACIÓN DE FALLAS FUNCIONALES	33
LISTA DE GRÁFICOS	34

INSTRUCCIONES DE SEGURIDAD

Mantenga siempre las instrucciones de seguridad para su seguridad personal y la de los demás.

1. Manipule siempre con su pistola como si fuese cargada.
2. No apunte nunca a ningún objeto, si no tenga la intención de disparar.
3. No confíe a nadie que la pistola esté descargada.
4. Antes de dejar de utilizar la pistola o entregarla a otra persona, verifique siempre que esté descargada.
5. Almacene la pistola descargada y con el martillo en la posición delantera.
6. No utilice nunca la pistola con otros fines que para disparar.
7. Nunca deje sin vigilancia una pistola cargada.
8. Antes de cargar el arma, asegúrese que el ánima del cañón, la recámara y la corredera estén limpios y sin obstrucciones. Limpie la pistola después del disparo tan pronto sea posible.
9. No dispare del arma sin conocer la munición que está usando. No utilice una munición sin marcación, recargada manualmente; una munición con casquillo rajado, deformado o abollado, o una bala con signos de avería. La recarga es una actividad especializada y una munición recargada de forma incorrecta (con fallas) puede ser extremadamente peligrosa, con el eventual daño/destrucción grave del arma y lesiones de gravedad o la muerte del tirador y otras personas. Utilice siempre una munición limpia, seca y de fabricación original, de alta calidad y en un buen estado, correspondiente al calibre de su pistola.
10. Nunca tome bebidas alcohólicas o utilice estupefacientes antes o durante el disparo.
11. Utilice protectores de oídos y gafas de tiro protectoras durante el tiro.
12. Si la pistola está cargada y con el martillo montado, mantenga el seguro en la posición de seguridad hasta el momento de estar preparado para el disparo. Al quitar el seguro apunte en un espacio seguro.
13. Mantenga libre la ventanilla de expulsión e impida que alguien se coloque en la dirección de la cartuchera expulsada.
14. No presionar el disparador y no introducir los dedos en el guardamonte del disparador, a no ser, que esté apuntando al blanco y preparado para disparar.
15. Antes de presionar el disparador, vuelva a controlar su objetivo y el espacio posterior del mismo. La bala puede atravesar el objetivo o desviarse fuera del mismo y pasar una distancia de varios cientos de metros.
16. Nunca dispare a una superficie dura, como una piedra, o la del agua por ejemplo.

17. No dispare nunca cerca de un animal que no esté entrenado para este tipo de ruido.
18. Al manipular con la pistola, evite todo tipo de "bromas".
19. Fallo del disparo: en caso de no efectuarse el disparo, mantenga la pistola apuntando en la dirección hacia el objetivo o hacia un espacio seguro y espere treinta segundos. En caso de producirse una ignición atrasada, el cartucho sale disparado en treinta segundos. Si no se produzca el disparo, retire el cargador, saque el cartucho del cañón y revise el fulminante. Si la huella del percutor en el fulminante es débil, fuera del centro o falta, antes de efectuar un nuevo disparo, deje revisar la pistola por un armero calificado.
20. Asegúrese siempre que la pistola no este cargada cuando vaya a limpiarla, almacenarla o transportarla. La munición no disparada retire del arma y guarde con seguridad en conformidad con los reglamentos legislativos.
21. Guarde siempre la munición y la pistola en depósitos seguros y bajo llave, fuera del alcance y la vista de los niños o gente no autorizada. Proteja la munición siempre del contacto con fuentes de calor y el fuego abierto.
22. Nunca altere ninguna parte de la pistola, podría comprometer de una manera grave el correcto funcionamiento de la pistola o su seguridad.
23. Tenga en cuenta que la corrosión, el uso de munición dañada, el roce del arma con superficies duras u otros rudos movimientos podrían causar daños a la pistola, que no necesariamente se puedan percibir a simple vista. Si algo como esto ocurriera, entregue el arma a un especialista para ser examinada y probada.

TERMINOLOGÍA Y DESCRIPCIÓN

La denominación de las partes principales de la pistola utilizada en este Manual está indicada en el gráfico No. 1 en la parte interior de la tapa del libro. La denominación de todos los componentes de la pistola está indicada en el capítulo *Lista de componentes*.

Las pistolas de la línea CZ Shadow son armas cortas de fuego semiautomáticas con el sistema de corredera cerrado, destinadas para el tiro deportivo a una distancia de 50 metros. Están dotadas de un mecanismo de disparo de doble acción (SA/DA), de un tetón de seguridad en el martillo y un seguro manual ambidiestro. Entre las características de todas las pistolas destacan:

- mecanismo de disparo de doble función SA/DA
- proveedor de cartuchos de alta capacidad de dos filas
- buen agarre en ambas manos
- buenos resultados durante el tiro instintivo (sin apuntar)
- baja resistencia del disparador
- la acribadura del disparador es ajustada mediante un tornillo de ajuste (ajustado por el fabricante)
- alta precisión del tiro
- larga vida útil
- alta confiabilidad también utilizando varios tipos de balas
- después de disparar el último cartucho la cerradura queda abierta
- conveniente para el tiro Combat
- la pistola está provista de una mira con fibra óptica y de un alza regulable en altura; según el requerimiento especial es posible montar miras micrométricas
- la parte delantera del armazón viene acompañada de ranuras (MIL-STD-1913) de montaje que sirven para montar accesorios especiales

Las pistolas CZ SHADOW Optics Ready están ajustadas en la fábrica para permitir un montaje fácil y altamente estable de modernos visores holográficos compactos de un amplio abanico de marcas probadas (por ejemplo, Trijicon, Vortex, Meopta, Leupold). Las principales ventajas de CZ Optics Ready son las siguientes:

- Extraordinaria robustez, solidez y resistencia de los montajes
- Baja altura de la construcción
- Fácil ajuste del visor aun a mayores distancias
- Compatible con un gran número de visores probados (la óptica no forma parte del embalaje)
- Diseño adaptado al concepto de forma de las pistolas originales CZ

MANUAL DE INSTRUCCIONES

Las pistolas CZ Shadow 2 Target son ajustadas en fábrica para el tiro deportivo. Las principales ventajas de las pistolas CZ Shadow 2 Target son las siguientes:

- mecanismo de disparo de simple acción SA
- mecanismo de disparo regulable (resistencia del disparador, caída, recorrido muerto y comodidad para la activación del disparador)
- el armazón está equipado con una interfaz fijada en la parte delantera para instalar accesorios especiales

Versión	Función	Seguro	Diente de seguridad
CZ Shadow 2	SA/DA	sí	sí
CZ Shadow 2 Orange	SA/DA	sí	sí
CZ Shadow 2 OR	SA/DA	sí	sí
CZ Shadow 2 SA	SA/DA	sí	sí
CZ Shadow 2 Target	SA	sí	sí
CZ Shadow 2 Compact	SA/DA	sí	sí
CZ 75 SP-01 Shadow	SA/DA	sí	sí

Notas explicativas:

SA (Single Action)

La función simple del mecanismo de disparo. El martillo se monta manualmente y el disparo se efectúa después de apretar el disparador. El recorrido del disparador es corto, la resistencia es baja. El martillo permanece montado después de cada disparo.

DA (Double Action)

Función doble del mecanismo de disparo. Apretando el disparador, el martillo se monta y suelta. El recorrido del disparador es más largo y la resistencia del disparador es más alta que durante SA.

Diente de seguridad

El engrane en el martillo que impide un disparo no intencionado en el caso que al montar el martillo manualmente éste se resbale. Cuando se encuentra el martillo en el diente de seguridad, no se apoya en la cerradura, sino que se encuentra inclinado un poco hacia atrás.

INSTRUCCIONES DE USO

Munición

Utilice siempre una munición de tipo de fabricación autorizada que cumple las normas establecidas para el productor de munición y es aprobada por la organización CIP (Organización internacional para pruebas de armas de fuego manuales y la munición) o SAAMI (una norma norteamericana para armas y munición). El uso de otro tipo de cartuchos podría causar daños en el arma y heridas al tirador. En caso de usar una munición de fabricación industrial con una velocidad estándar el uso de armas de Česká zbrojovka a.s. es seguro. Compruebe la munición que va a utilizar para tener la seguridad que la misma corresponde al calibre de su arma. La munición de fabricación comercial dispone de una demarcación clara del calibre en el fondo, eventualmente en la proximidad del fondo de casquillo.

Retiro del cargador

Sujete la pistola con la mano derecha (izquierda), presione con el dedo pulgar (dedo medio) el retén del cargador (dib. 2). El cargador se afloja y sale del marco. La pistola viene provista por un retenedor universal del cargador, el cual puede ser desplazado por un armero con una pequeña vuelta para ser manipulado con la mano derecha o izquierda.

Cargar el cargador

Sujete el cargador en la mano con la boca hacia arriba. Coloque un cartucho a la parte delantera del aportador y presiónelo hacia abajo y para atrás, hasta que tope el lado posterior del cargador. Coloque el siguiente cartucho sobre el otro e introduzca de la misma manera. En caso, que ya se encuentran varios cartuchos en el cargador, es conveniente presionar un poco con el dedo pulgar la fila de cartuchos.

El número de cartuchos en el cargador puede constatar a través de los agujeros de inspección ubicados a los lados del cargador. No intente a extender la capacidad del cargador - ya que esto podría causar un acceso defectuoso del primer cartucho a la recámara.

Cómo cargar la pistola

¡AL CARGAR LA PISTOLA APUNTE SIEMPRE HACIA UN ESPACIO SEGURO!

Introduzca el cargador lleno a la pistola y verifique que permanezca retenido por el retén del cargador.

Sujete la pistola con una mano por la empuñadura y con los dedos pulgar e índice de la otra mano agarre la parte ranurada de la cerradura. Hale la corredera en

la dirección hacia atrás hasta el tope y suéltela (dib. 3). Durante este procedimiento se monta el martillo y el cartucho se introduce en la recámara. Ahora, la pistola está lista para disparar. Si no va a disparar de inmediato asegure el arma de cualquier forma indicada más adelante en la parte *Seguro de la pistola*.

Recarga durante el tiro

Después de disparar el último cartucho, la corredera permanecerá en la posición posterior. Saque el cargador vacío e introduzca uno lleno. Con la mano que dispara presione el retén de la corredera en la dirección hacia abajo (dib. 4) o con la otra mano hale la corredera hacia atrás y suéltela (dib. 3). La pistola está nuevamente cargada y lista para disparar.

Cómo descargar la pistola

¡APUNTE HACIA UN ESPACIO SEGURO!

- Retire el cargador
- Tire hacia atrás la corredera y verifique que la recámara se encuentra vacía
- Suelte la corredera hacia adelante
- Presione el disparador (disparo en seco)

Seguro de la pistola

Desplace el seguro en la dirección hacia arriba a la posición de seguridad (dib. 5), hasta que cubra la marca roja. De esta manera el mecanismo disparador y la corredera quedan bloqueados y consecuentemente no es posible apretar el disparador ni movilizar la corredera.

Dado que el mecanismo disparador fue ajustado de manera especial, es posible localizar el seguro en la posición "SEGURO" aunque el disparador esté colocado en el diente de seguridad. Sin embargo; en estos casos no active nunca el seguro de la pistola, ya que al montar el martillo con fuerza o al presionar el disparador se puede dañar el mecanismo de disparo. En caso de que se produzca un daño del mecanismo de disparo, entréguelo para su reparación a un armero certificado.

Aparte del método previamente descrito es posible mantener la pistola con el cartucho en la recámara en un estado de seguridad, en el cual está preparada para el tiro inmediato:

Agarre la pistola cargada por la empuñadura, APUNTE HACIA UN ESPACIO SEGURO. Con el dedo pulgar presione la superficie ranurada del martillo, presione el disparador y traslade el martillo lentamente hacia adelante (dib. 6) hasta que se apoye de la cerradura o del diente de seguridad del martillo. Afloje el disparador. ¡Lleve a cabo este procedimiento con extrema cautela para impedir un disparo no intencionado! ¡Recomendamos practicar esta operación con la pistola descargada!

En este estado la pistola se encuentra segura para una manipulación de rutina y, a su vez, queda preparada para el uso inmediato.

Recuerde, que la mejor manera de asegurar la pistola es tenerla descargada y guardada en un lugar seguro!

Ajuste de miras

La mira de la pistola fue ajustada en la fábrica para una distancia de 25 m de tal manera, que el punto central del impacto esté concordando aproximadamente con el punto de mira.

La corrección lateral se realiza moviendo el alza en la ranura. Antes de ajustar el alza es necesario soltar el tornillo que lo asegura. Una vez ajustada el alza hay que apretar el tornillo y asegurarlo por la aplicación Loctite 243. La corrección de altura se realiza girando el tornillo.

En caso de necesidad es posible cambiar el alza por otra apropiada, eventualmente cambiar también al guion, que se encuentra asegurado con un pasador flexible. Estas modificaciones entregue a un taller especializado.

La corrección lateral en la versión CZ Shadow 2 Target se realiza girando el tornillo situado en el lado derecho del alza y la corrección de altura girando el tornillo del lado superior del alza (fig. 7). El arma viene de la fábrica con un punto de mira más ancho y el embalaje incluye además un punto de mira más estrecho. El alza y el punto de mira están asegurados para evitar que se desprendan mediante tornillos, que se fijan con Loctite 243.

Ajuste del retén del cargador

El pulsador del retén del cargador se puede ajustar en tres posiciones. Una vez elegida su posición, hay que asegurar la fijación suficiente del tornillo mediante la aplicación en la rosca de un fijador de media resistencia Loctite 243.

La versión CZ Shadow 2 Compact se entrega con una palanca del retén del cargador que no se puede ajustar en tres posiciones, pero es posible sustituirla por una regulable.

El diseño de la CZ Shadow 2 Target permite girar el retén del cargador e instalarlo en el lado derecho del arma o, en su caso, sustituirlo por otro tipo de retén apropiado.

Ajuste del mecanismo de disparo

APLICABLE SOLO PARA LA VERSIÓN CZ SHADOW 2 TARGET

Distancia para activar el disparador

La distancia para activar el disparador se puede ajustar en cinco posiciones. Para cambiar el ajuste es necesario aflojar el tornillo de seguridad de la palanca del

disparador, lo que permite desplazarla. Antes de ajustar el tornillo, asegúrese siempre que la marca en la palanca del disparador esté alienada con la marca en la base del disparador (fig. 8). Fije el tornillo aplicando Loctite 243 y un ajuste máximo a 1 Nm.

Resistencia del disparador

La resistencia del disparador se ajusta en fábrica a 10 N. El tornillo para ajustar la resistencia se encuentra en el expulsor (fig. 9) y está accesible después de quitar la corredera en la forma indicada en el apartado *Desmontaje para la limpieza*.

La resistencia aumenta apretando el tornillo y, al contrario, baja aflojándolo. Una vez ajustados los valores elegidos, fije el tornillo aplicando Loctite 243.

Si la resistencia del disparador está ajustada a más de 10 N, puede ser necesario ajustar un desplazamiento del disparador mayor para garantizar un funcionamiento fiable del martillo. El ajuste de la resistencia puede cambiar con el uso y el desgaste de la pistola, por lo que se recomienda comprobarlo con regularidad.

Longitud del recorrido del disparador

Los tornillos que ajustan el desplazamiento del disparador y la longitud del recorrido muerto se ajustaron en fábrica a valores óptimos (fig. 10). El ajuste de un recorrido muerto demasiado corto puede reducir la fiabilidad del arma. Si el desplazamiento del disparador se reduce demasiado, un ajuste de resistencia del disparador más alto puede afectar la liberación correcta del martillo. A la inversa, un recorrido muerto demasiado corto puede impedir el enganche del martillo en la posición trasera. Se recomienda encargar el ajuste de los tornillos a un armero profesional.

ADVERTENCIA:

El arma viene con tornillos del disparador no asegurados para facilitar el ajuste. Se trata del tornillo de bloqueo de la palanca del disparador, tornillo de ajuste de la resistencia, tornillo de ajuste del desplazamiento y el tornillo de ajuste del recorrido muerto (todos los tornillos están resaltados en las figuras 8, 9 y 10). ¡Asegúrelos aplicando el fijador Loctite 243 antes de disparar!

Montaje de accesorios

APLICABLE SOLO PARA LA VERSIÓN CZ SHADOW 2 TARGET

El arma está equipada con una interfaz fijada en la parte delantera del armazón. La inserción del armazón con tornillo y el peso de 100 g (fig. 11) no forman parte del envase del arma, pero es posible adquirirlos en Česká zbrojovka a.s. Estos pesos adicionales se pueden apilar.

Para montar los accesorios es necesario desmontar la pistola mediante el procedimiento indicado a continuación en el apartado *Desmontaje para la limpieza*.

INSTRUCCIONES DE MANTENIMIENTO

Desmontaje del arma para la limpieza

¡APUNTAR HACIA UN ESPACIO SEGURO!

1. Retire el cargador. No es posible desmontar una pistola con el cargador adentro!
2. Desactive el seguro para poder movilizar la corredera.
3. ASEGÚRESE QUE NO HAYA NINGÚN CARTUCHO EN LA RECÁMARA!
4. Inclíne el martillo hacia atrás un poco y suéltelo, de manera que quede retenido en el diente de seguridad. En este estado la manipulación es la más fácil.
5. Pase el dedo pulgar de la mano izquierda a través del guardamonte, con los dedos restantes agarre la parte delantera de la cerradura desde arriba (fig. 12). Traslade la corredera un poco para atrás hasta que se igualen las rayas en la parte posterior del marco y de la cerradura.
6. MANTENGA EMPAREJADAS LAS RAYAS y desde el lado derecho presione (golpee) en el retén de la cerradura (izquierdo), por ejemplo, con el piso del cargador (fig. 13). Retire el retén de la cerradura del lado izquierdo.
7. Desplace la cerradura con el cañón para adelante.
8. Retire el muelle de avance con la guía y finalmente el cañón.

En la versión CZ Shadow 2 Orange con guía desmontable del cañón (bushing) afloje el tapón del muelle de avance y dé una pequeña vuelta con el cañón en 40° en el sentido de las manecillas del reloj y quítelo de la corredera (para dar una pequeña vuelta con la guía del cañón en la corredera utilice una llave de desmontaje incluida). Quite el tapón del muelle de avance.

Al volver a ensamblar, compruebe si la guía del muelle de avance no sobresale de la corredera. En caso de un montaje incorrecto del arma, existe el riesgo de dañar el armazón y reducir la vida útil del muelle de avance.

9. Quite el cañón de la corredera.

Este tipo de desmontaje es suficiente para un mantenimiento rutinario. Después de disparar una mayor cantidad de cartuchos desmonte también el percutor y el cargador.

Reemplazo del tope

En la guía del resorte recuperador está colocado un tope de goma (buffer) que sirve para atenuar el golpe de la corredera al armazón del arma. Sustitúyalo si presenta desgaste (inspección visual). Un reemplazo preventivo se recomienda después de dispara aprox. de 1000 a 1500 tiros.

Desmontaje del percutor

Presione con un objeto adecuado el extremo del percutor debajo del nivel de la placa del percutor aproximadamente en 2 mm para abajo. Sucesivamente sostenga encima de la placa del cargador el dedo pulgar para que el percutor no pueda ser lanzado desde la cerradura por completo. Mantenga mucha cautela durante este desmontaje ya que el percutor podría perderse o causar heridas después de ser lanzado.

Desmontaje del cargador

Depende del diseño del cargador. Si hay un agujero en el fondo del cargador, presione a través del agujero el trinquete del fondo y desplace el fondo del cargador un poco hacia adelante. Si el cargador posee un trinquete desplazable del fondo en la parte trasera, desplace el trinquete a la posición de desmontaje y, a continuación, desplace el fondo del cargador un poco hacia adelante (fig. 14). Sucesivamente coloque el dedo pulgar encima del fondo para sostener el resorte y con la otra mano saque el fondo de las ranuras guía por completo. Tenga mucho cuidado, que durante este desmontaje no se produzcan heridas por el muelle lanzado.

ATENCIÓN:

No desmonte ningunas otras partes de la pistola. Si está convencido que su pistola necesita algún ajuste o reparación, asegúrese de encomendar esta tarea a un taller especializado!

Limpieza de la pistola

Limpie la pistola

- Después de cada uso
- Siempre después que entre en contacto con humedad
- Lo más antes posible después del disparo
- Por lo menos una vez al año en climas templados
- En condiciones climáticas exigentes por lo menos una vez al mes

Limpieza del ánima y la recámara

En caso que no se haya disparado de la pistola o si solamente se han disparado pocos cartuchos, limpie el ánima y la recámara con un pedazo de tela seca colocado en un extremo de una baqueta. Cambie los trapitos tantas veces, hasta que el último pedazo sea limpio.

Cuando el ánima se encuentre muy sucia, aplique en ella y en la recámara una solución limpiadora, deje actuar aproximadamente 10 minutos (el tiempo de actuación puede variar de acuerdo con el tipo del producto de limpieza) y limpie con un cepillo. Seque el ánima y la recámara con un pedazo de tela limpio y verifique, si se eliminaron todos los residuos. Repita el procedimiento en caso de necesidad.

Introduzca la baqueta y el cepillo en el cañón a través de la recámara para evitar que la boca del cañón se desgaste o dañe. Pase el cepillo por todo el largo del cañón antes de invertir el movimiento. Si trata de cambiar de dirección con el cepillo dentro del cañón, el cepillo podría atascarse.

Limpieza de otras partes de la pistola

Las otras partes del arma (incluyendo las superficies externas del cañón) deben limpiarse con una tela seca, un cepillo de dientes viejo, un cepillo de cerdas de bronce o un raspador de madera. Durante la limpieza se puede utilizar también un aceite de preservación o querosene. Sin embargo, no emplee nunca la solución determinada para la limpieza del ánima del cañón! Estas soluciones podrían permanecer en las hendiduras de los componentes y con el tiempo causar corrosión.

Comprobar que ningún trozo de tela o alguna cerda de cepillo hayan quedado alojados en alguna parte de la pistola.

Conservación

Una vez que el ánima del cañón, la recámara y todas las partes accesibles estén limpias y secas, frótelas con un paño remojado en aceite de preservación o aplique dicho aceite mediante un rociador. Retire luego el exceso de aceite.

En la versión CZ Shadow 2 Orange realice también la conservación de la parte delantera del cañón y del interior de la guía del cañón.

Antes de disparar, seque completamente el ánima del cañón. Si utiliza la pistola en temperaturas muy bajas, retire el aceite de todas las partes accesibles y aplique un lubricante especial determinado para estas condiciones climáticas.

La grasa preservante utilice únicamente en el caso de un almacenaje de larga duración en condiciones climáticas extremas. Antes de usar la pistola, retire dicha grasa por completo.

Tratamiento de los residuos

Si son manejados de manera correcta, el material, los envases y los embalajes del producto no tienen ninguna incidencia negativa ni sobre la salud humana ni sobre el medio ambiente. Si necesita deshacerse del producto o su embalaje, los componentes metálicos (acero, metales de color), los plásticos, la madera y el papel-cartón tienen que ser depositados selectivamente en los contenedores destinados para estos materiales.

LISTA DE COMPONENTES

- | | |
|--|---|
| 1 Armazón * | 31 Muelle del trinquete del seguro * |
| 2 Retén de la cerradura * | 32 Retenedor del cargador * |
| 3 Muelle del retenedor de la cerradura | 33 Muelle del retenedor del cargador |
| 4 Pasador del muelle del retenedor de la cerradura | 34 Muelle del tirante del disparador |
| 5 Disparador * | 35 Tornillo del muelle del retenedor del cargador |
| 6 Perno del disparador | 36 Cargador * |
| 7 Tirante del disparador | 37 Percutor * |
| 8 Muelle del disparador | 38 Muelle del percutor |
| 9 Perno (3x) | 39 Placa del percutor * |
| 10 Eyector | 40 Amortiguador * |
| 11 Retenedor del martillo | 41 Muelle de avance * |
| 12 Muelle del retenedor del martillo | 42 Guía del muelle de avance * |
| 13 Perno del retenedor del martillo | 43 Cañón * |
| 14 Seguro derecho * | 44 Cerradura * |
| 15 Trinquete del seguro derecho * | 45 Guión |
| 16 Martillo * | 46 Pasador de la mira |
| 17 Interruptor * | 47 - |
| 18 Perno del martillo | 48 - |
| 19 Pasador de seguro del perno del martillo | 49 - |
| 20 Varita del muelle de percusión * | 50 Extractor * |
| 21 Muelle de percusión | 51 Perno del extractor |
| 22 Tapón del muelle de percusión * | 52 Muelle del extractor |
| 23 Pasador del tapón del muelle de percusión | 53 Alza * |
| 24 Guía del cargador * | 54 Tornillo de seguridad (2x) * |
| 25 Pasador de la guía del cargador | 55 Tornillo del disparador * |
| 26 Cacha izquierda * | 56 Arandela (2x) * |
| 27 Cacha derecha * | 57 Tapa * |
| 28 Tornillo de la cacha (2x) * | 58 Tornillo de la capa (2x) * |
| 29 Seguro izquierdo * | 59 Placa del visor * |
| 30 Trinquete del seguro izquierdo | 60 Tornillo de la placa del visor (2x) * |
| | 61 Guía del cañón * |
| | 62 Tapón del muelle de avance * |

* Los componentes marcados así varían en cada versión, eventualmente en algunas faltan por completo.

ADAPTADOR CZ KADET EN EL CAL. .22 LR

El adaptador Kadet en el calibre .22LR para pistolas CZ Shadow 2 y CZ 75 SP-01 Shadow se puede entregar en las siguientes versiones:

1. Adaptador independiente, posible de instalar en el armazón de cualquier pistola CZ Shadow 2 o CZ 75 SP-01 Shadow
2. Pistola completa CZ Shadow 2 o CZ 75 SP-01 Shadow en el calibre .22 LR

Las principales ventajas del adaptador son las siguientes:

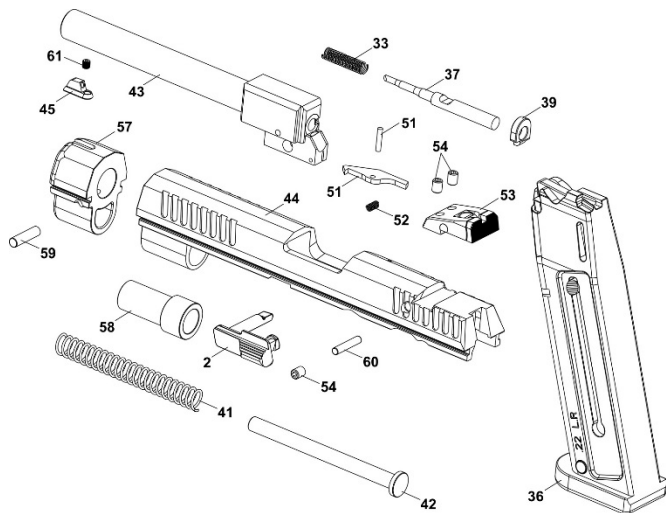
- Conserva las características típicas de la pistola CZ Shadow
- Disparo económico, ventajoso ante todo para el entrenamiento
- Fácil montaje del adaptador en el armazón, sin la necesidad de un ajuste

Instalación del adaptador

Para utilizar el adaptador en el calibre .22 LR en una versión actual de la pistola no es necesario realizar ninguna modificación ni ajuste. Según las instrucciones indicadas en el capítulo Desarme para la limpieza hay que quitar el conjunto completo de la corredera y en el armazón de la pistola se coloca el adaptador en el calibre .22 LR. Con el adaptador hay que utilizar siempre un retén de la corredera marcado "22 LR" y un cargador en el calibre .22 LR.

El embalaje incluye dos muelles de recuperación extras, de diferentes colores. El muelle marcado con el color azul es apropiado para una munición 22.LR más débil (por ejemplo, una munición subsónica) y el de color rojo es recomendado para una munición más fuerte (por ejemplo, la versión high velocity).

Ilustración y lista de componentes del adaptador



- | | | | |
|----|------------------------------|----|----------------------------|
| 2 | Retén de la corredera | 50 | Extractor |
| 36 | Cargador | 51 | Perno del extractor |
| 37 | Percutor | 52 | Resorte del extractor |
| 38 | Resorte del percutor | 53 | Alza |
| 39 | Placa del percutor | 54 | Tornillo de seguridad (3x) |
| 41 | Muelle de avance | 57 | Adaptador |
| 42 | Guía del muelle de reversión | 58 | Funda |
| 43 | Cañón | 59 | Pasador del adaptador |
| 44 | Corredera | 60 | Pasador del percutor |
| 45 | Punto de mira | 61 | Tornillo del punto de mira |

ELIMINACIÓN DE FALLAS FUNCIONALES

Con un uso y mantenimiento correcto hay muy poca probabilidad que se produzca una avería. En caso de producirse tal situación, diríjase con las siguientes instrucciones.

ATENCIÓN - En caso que se produzca una falla durante el disparo, aumenta notablemente la probabilidad de un disparo no intencionado. Por esta razón, durante la eliminación de la falla mantenga al pie de letra las instrucciones de seguridad indicadas más arriba. Apunte siempre hacia un espacio seguro, no dé la vuelta a la pistola enfrente suyo ni frente a otras personas, no coloque las manos delante de la boca del cañón!

Falla	Causa probable	Forma de eliminarla
El cartucho no entra en la recámara o no ajusta la cerradura	El cargador no está encajado suficientemente o se encuentra averiado. El arma o los cartuchos están sucios o excesivamente lubricados.	Introduzca correctamente el cargador o utilice uno nuevo. Limpie el arma y los cartuchos, eventualmente lubrique suavemente.
Fallos al disparar	Cartucho defectuoso. El agujero del percutor se encuentra sucio o se utilizó un lubricante inadecuado bajo temperaturas ambientales bajas.	Vuelva a apretar el disparador. Si no se produzca el disparo prosiga según el punto 19 de las Instrucciones de seguridad. Desmonte y limpie el percutor, eventualmente utilice un lubricante para temperaturas bajas.
El disparo suena "débil", la cartuchera no fue expulsada	El fulminante se activó, pero no hubo pólvora en la cartuchera.	Descargue el arma y compruebe que la bala no ha quedado atascada en el cañón. Un siguiente disparo eventual podría ocasionar serios daños al cañón!
La vaina no ha sido expulsada	La recámara, el extractor o la munición sucios, eventualmente el uso de un lubricante inadecuado para temperaturas bajas.	Limpie y seque la pistola, eventualmente lubríquela con un lubricante adecuado. Utilice munición nueva y limpia.

Si no es posible, reparar la fallas según las instrucciones arriba descritas, entregue la pistola para una revisión y reparación en un taller especializado.

Debido a las modificaciones especiales de la CZ Shadow 2 Target, al disparar los primeros 2000 cartuchos aproximadamente, pueden aparecer anomalías de funcionamiento como problemas en el cierre de la corredera o irregularidades en la expulsión, que deben evitarse lubricando constantemente la guía de la corredera. ¡En ningún caso, sustituya el resorte recuperador por otro más débil!

LISTA DE GRÁFICOS

1. Denominación de los componentes básicos
2. Retiro del cargador
3. Cargando la pistola
4. Liberación de la corredera de su "posición de alerta" (de la "posición de caza") presionando el retén de la corredera
5. Desplazamiento del seguro a la posición de seguridad
6. Liberación del martillo en la versión con el seguro
7. Corrección del alza regulable
8. Ajuste de la distancia para activar el disparador
9. Tornillo de ajuste de la resistencia del disparador
10. A) Tornillo de ajuste del desplazamiento del disparador
B) Tornillo de ajuste del recorrido muerto del disparador
11. Interfaz para fijar accesorios especiales
12. Ajuste de la corredera a la posición de desmontaje
13. Desplazamiento de la palanca del retén de la corredera utilizando el fondo del cargador
14. Desmontaje del cargador

El productor se reserva el derecho de realizar cambios que podría considerar indispensables para mejorar sus modelos o para satisfacer los requerimientos de la producción o del comercio.

NÁVOD NA POUŽITÍ

Dříve než začnete zacházet s pistolí, seznamte se s tímto návodem a zvláště s následujícími bezpečnostními pokyny.

Nesprávné a nedbalé zacházení s pistolí může způsobit neúmyslný výstřel, který může mít za následek zranění, smrt nebo škodu na majetku. Stejně následky mohou mít svévolné úpravy, koroze nebo používání nepředepsaných nebo poškozených nábojů. V těchto případech nemůže výrobce nést za vzniklé následky odpovědnost. Předtím, než byla tato pistole dána do prodeje, byla přezkoušena, pečlivě prohlédnuta a zabalena. CZ nemůže kontrolovat zacházení s pistolí potom, co opustí továrnu. Proto si při koupi této pistole ověřte, že je nenabitá a nepoškozená.

Tato příručka s instrukcemi by měla být vždy k pistolí přiložena a to i v případě, že pistolí někomu půjčíte nebo prodáte.

OBSAH

BEZPEČNOSTNÍ POKYNY	36
NÁZVOSLOVÍ A POPIS	38
POKYNY PRO POUŽÍVÁNÍ	40
Střelivo	40
Vyjmutí zásobníku	40
Plnění zásobníku	40
Nabíjení pistole	40
Přebíjení během střelby	41
Vybití pistole	41
Zajištění pistole	41
Nastavení mířidel	42
Nastavení zádržky zásobníku	42
Nastavení spoušťového mechanismu	42
Montáž příslušenství	43
POKYNY PRO ÚDRŽBU	44
Rozborka pro čišťení	44
Výměna nárazníku	44
Demontáž zápalníku	45
Demontáž zásobníku	45
Čišťení pistole	45
Čišťení vývrtu a nábojové komory	45
Čišťení ostatních částí pistole	46
Konzervace	46
Nakládání s odpady	46
ODSTRAŇOVÁNÍ FUNKČNÍCH ZÁVAD	47
SEZNAM SOUČÁSTEK	48
ADAPTÉR CZ KADET V RÁŽI .22 LR	49
SEZNAM OBRÁZKŮ	51

BEZPEČNOSTNÍ POKYNY

Dbejte dodržování bezpečnostních pokynů pro bezpečnost vaši a bezpečnost ostatních.

1. Vždy zacházejte se svou pistolí, jako kdyby byla nabitá.
2. Nikdy svou pistolí nemiřte na cokoli, na co nemíníte střílet.
3. Nikomu nevěřte, že zbraň není nabitá.
4. Než pistolí odložíte nebo předáte jiné osobě, vždy se přesvědčte, že není nabitá.
5. Pistoli přechovávejte nenabitou, s kohoutkem v přední poloze.
6. Nikdy nepoužívejte pistolí k jinému účelu než ke střelbě.
7. Nabitou pistolí nikdy nenechávejte bez dozoru.
8. Před nabitím zbraně se přesvědčte, že vývrt hlavně, komora a závěr jsou čisté a bez překážek. Pistoli znečištěnou od střelby co nejdříve vyčistěte.
9. Nestřílejte ze zbraně, pokud si nejste jisti střelivem, které používáte. Nepoužívejte neoznačené nebo ručně přebíjené střelivo neznámého původu, střelivo s naprasklou, deformovanou nebo promáčknutou nábojnicí nebo střelou vykazující známky poškození. Přebíjení je odborná činnost a nesprávně (chybně) přebíjené střelivo může být extrémně nebezpečné. Výsledkem může být těžké poškození/zničení zbraně a vážná zranění či smrt střelce i dalších osob. Používejte pouze čisté, suché, originální - továrně vyrobené střelivo vysoké kvality, v dobrém stavu, příslušné pro ráži vaší pistole.
10. Před střelbou ani během střelby nepijte alkoholické nápoje a neužívejte drogy.
11. Pokud je to možné, používejte při střelbě chrániče sluchu a ochranné střelecké brýle.
12. Když je pistole nabitá a natažena, mějte pojistku v poloze zajištěno až do okamžiku, kdy jste připraveni ke střelbě. Při odjišťování mířte do bezpečného prostoru.
13. Neblokujte výhozné okénko a dbejte na to, aby nikdo nepřekážel ve směru vyhozené nábojnice.
14. Nemačkejte spoušť ani nedávejte prsty do lučičku spouště, pokud nemíříte na cíl a nejste připraveni střílet.
15. Než stisknete spoušť, ještě jednou si zkontrolujte váš cíl a prostor za ním. Střela může letět skrze nebo mimo váš cíl ještě několik stovek metrů.
16. Nikdy nestřílejte na vodní hladinu nebo na tvrdý povrch, jako je kámen.
17. Nestřílejte z pistole poblíž zvířete, pokud není na tento hluk vycvičeno.
18. Pokud držíte pistolí, nikdy se neoddávejte "hrubým žertům".

19. Selhání výstřelu: V případě, že nedojde k výstřelu, držte pistoli namířenou na cíl nebo do bezpečného prostoru a počkejte třicet sekund. Pokud nastal zpožděný zápal, náboj do třiceti sekund vystřelí. Jestliže k výstřelu nedojde, vytáhněte zásobník, vyjměte náboj z hlavně a prohlédněte zápalku. Je-li otisk od zápalníku na zápalce slabý, mimo střed, nebo žádný, nechte před další střílbou pistoli prohlédnout kvalifikovaným zbrojířem.
20. Před čistěním, skladováním nebo dopravou se vždy přesvědčte, že vaše pistole není nabita. Nevystřelené střelivo vyjměte ze zbraně a bezpečně uložte vsouladu se zákonnými předpisy.
21. Pistoli a střelivo přechovávejte v odděleném a uzamčeném prostoru mimo dosah a dohled dětí a nepovolaných osob. Vždy chraňte střelivo před zdrojem tepla a otevřeným ohněm.
22. Nikdy neupravujte součástky pistole. Můžete tak závažným způsobem narušit správnou funkci pistole nebo její bezpečnost.
23. Pamatujte, že koroze, použití vadných nábojů, pád pistole na tvrdý povrch nebo jiné "hrubé zacházení" může způsobit poškození, které nemusí být na první pohled patrné. Pokud k něčemu takovému dojde, nechte pistoli prověřit u odborníka.

NÁZVOSLOVÍ A POPIS

Názvy základních částí pistole používané v tomto návodu jsou uvedeny na obrázku 1 na vnitřní straně obálky. Názvy všech součástí pistole jsou uvedeny v kapitole *Seznam součástí*.

Pistole řady CZ Shadow jsou samonabíjecí ruční palné zbraně s uzamčeným závěrovým systémem, určené pro sportovní střelbu do dálky 50 metrů. Jsou vybaveny dvojčinným spoušťovým mechanismem SA/DA, bezpečnostním ozubem na kohoutku a oboustrannou manuální pojistkou. Mezi charakteristické vlastnosti pistolí patří:

- dvojčinný spoušťový mechanismus SA/DA
- velkokapacitní dvouřadý zásobník nábojů
- dobré držení v každé ruce
- dobré výsledky při pudové střelbě (bez míření)
- nízký odpor spouště
- propad spouště je seřízen vymešovacím šroubem (nastaveno výrobcem)
- vysoká přesnost střelby
- vysoká životnost
- vysoká spolehlivost i při použití různých typů střel
- po vystřelení posledního náboje zůstane závěr otevřený
- vhodnost pro Combat střelbu
- mířidla jsou osazena světlovodnou muškou a výškově stavitelným hledím, na objednávku se montují mikrometrická mířidla
- rám je v přední části opatřen upínacími drážkami (MIL-STD-1913) pro připevnění zvláštního příslušenství

Pistole CZ Shadow Optics Ready jsou továrně upravené zbraně pro snadnou a vysoce stabilní montáž moderních kompaktních kolimátorů široké palety osvědčených značek (např. Trijicon, Vortex, Meopta, Leupold). K hlavním výhodám pistolí CZ Optics Ready patří:

- mimořádná robustnost, pevnost a odolnost montáží
- nízká stavební výška
- snadné nastřelení kolimátoru i na větší vzdálenosti
- kompatibilita s velkým počtem osvědčených kolimátorů (optika není součástí balení)
- design sladěný s tvarovým řešením výchozích pistolí CZ

NÁVOD NA POUŽITÍ

Pistole CZ Shadow 2 Target jsou továrně upravené zbraně pro sportovní střelbu. K hlavním výhodám pistolí CZ Shadow 2 Target patří:

- jednočinný spoušťový mechanismus SA
- nastavitelný spoušťový mechanismus (odpor spouště, propad, mrtvý chod a dosah na spoušť)
- rám je v přední části opatřen upínacím rozhraním pro připevnění zvláštního příslušenství

Provedení	Funkce	Pojistka	Bezpečnostní ozub
CZ Shadow 2	SA/DA	ano	ano
CZ Shadow 2 Orange	SA/DA	ano	ano
CZ Shadow 2 OR	SA/DA	ano	ano
CZ Shadow 2 SA	SA	ano	ano
CZ Shadow 2 Target	SA	ano	ano
CZ Shadow 2 Compact	SA/DA	ano	ano
CZ 75 SP-01 Shadow	SA/DA	ano	ano

Vysvětlivky:

SA (Single Action)

Jednočinná funkce spoušťového mechanismu. Kohoutek se natáhne rukou a po stisknutí spouště dojde k výstřelu. Dráha spouště je krátká, odpor je nízký. Po každém výstřelu zůstane kohoutek natažený.

DA (Double Action)

Dvojčinná funkce spoušťového mechanismu. Během mačkání spouště se kohoutek napne a vypustí. Dráha spouště je delší a odpor je vyšší než při SA.

Bezpečnostní ozub na kohoutku

Zářez na kohoutku, který zabrání nechtěnému výstřelu v případě, že během ručního napínání kohoutku dojde k jeho vyklouznutí. Když je kohoutek na bezpečnostním ozubu, neopírá se o závěr, ale je poněkud vykloněn dozadu.

POKYNY PRO POUŽÍVÁNÍ

Střelivo

Vždy používejte střelivo dovoleného výrobního provedení, které splňuje normy stanovené pro výrobce střeliva a je schváleno organizací CIP (Mezinárodní organizace pro zkoušení ručních palných zbraní a střeliva), případně SAAMI (americká norma pro zbraně a střelivo). Použití jiných nábojů může způsobit poškození zbraně nebo zranění střelce. Při použití továrního střeliva se standardní rychlostí je používání zbraní České zbrojovky a.s. bezpečné. Zkontrolujte střelivo, které hodláte použít, abyste měli jistotu, že odpovídá ráži vaší zbraně. Komerčně vyráběné střelivo má u každého náboje označení ráže jasně vyznačeno na dně, případně okolo dna nábojnice.

Vyjmutí zásobníku

Uchopte pistoli do pravé (levé) ruky a palcem (prostředníkem) stiskněte zádržku zásobníku (obr. 2). Zásobník se uvolní a vypadne z rámu. Pistole je opatřena univerzální zádržkou zásobníku, která může být zbrojířem otočena pro ovládání pravou nebo levou rukou.

Plnění zásobníku

Zásobník uchopte do ruky ústím nahoru. Položte náboj na přední část podavače a stlačte jej dolů a dozadu, až se dotkne zadní stěny zásobníku. Další náboj umístěte na předcházející a zasuňte stejným způsobem. Je-li v zásobníku již větší počet nábojů, je vhodné palcem ruky, která drží zásobník, poněkud stlačit sloupec nábojů.

Počet nábojů v zásobníku můžete sledovat kontrolními otvory v jeho stěnách. Nepokoušejte se překročit kapacitu zásobníku - mohlo by to způsobit vadné podání prvního náboje do komory.

Nabíjení pistole

PŘI NABÍJENÍ MĚJTE PISTOLI VŽDY ZAMÍŘENU DO BEZPEČNÉHO PROSTORU!

Vsuňte plný zásobník do pistole a přesvědčte se, že je zachycen zádržkou zásobníku.

Uchopte pistoli jednou rukou za rukojeť a palcem a ukazováčkem druhé ruky uchopte drážkovanou část závěru. Závěr natáhněte směrem dozadu až na doraz a vypusťte (obr. 3). Přitom se natáhne kohoutek a do komory se zasune náboj. Nyní je pistole připravena ke střelbě. Pokud nehodláte bezprostředně střílet, zajistěte pistoli způsobem uvedeným dále v části *Zajištění pistole*.

Přebíjení během střelby

Po vystřelení posledního náboje zůstane závěr v zadní poloze. Vyjměte prázdný zásobník a vsuňte naplněný. Střílející rukou stisknete záchyt závěru směrem dolů (obr. 4), nebo druhou rukou natáhněte závěr dozadu a vypusťte jej (obr. 3). Pistole je opět nabita a připravena ke střelbě.

Vybíjení pistole

ZAMIŘTE DO BEZPEČNÉHO PROSTORU!

- vyjměte zásobník
- natáhněte závěr a přesvědčte se, že nábojová komora je prázdná
- vypusťte závěr dopředu
- stiskněte spoušť (rána jistoty)

Zajištění pistole

Přesuňte pojistku směrem nahoru do zajištěné polohy (obr. 5), až se zakryje červená značka. Tím zablokujete spoušťový mechanismus a závěr, takže není možné stisknout spoušť, ani pohybovat se závěrem.

Vzhledem ke speciálním úpravám spoušťového mechanismu lze natočit pojistku do polohy ZAJIŠTĚNO i když je kohoutek na bezpečnostním ozubu. V těchto případech se však zajišťovat pistolí důrazně nedoporučuje, protože při násilném natažení kohoutku nebo stisknutí spouště může být poškozen spoušťový mechanismus. Pokud takto dojde k poškození spoušťového mechanismu, nechte jej opravit u certifikovaného zbrojře.

Kromě popsaného způsobu je možné pistolí s nábojem v komoře uvést do bezpečného stavu, ve kterém je připravena k okamžité střelbě:

Nabijte pistolí, uchopte ji za rukojeť, ZAMIŘTE DO BEZPEČNÉHO PROSTORU, palcem zatlačte na rýhovanou plochu (palečník) kohoutku, stiskněte spoušť a kohoutek pomalu přesouvejte dopředu (obr. 6), až se opře o závěr nebo bezpečnostní ozub na kohoutku. Uvolněte spoušť. Tento úkon provádějte velmi opatrně, aby nedošlo k nechtěnému výstřelu! Celý postup si nejdříve důkladně nacvičte bez nábojů!

V tomto stavu je pistole bezpečná pro běžnou manipulaci a přitom je připravena k okamžitému použití.

Pamatujte, že nejbezpečnější zajištění pistole je její vybití a uložení na bezpečném místě!

Nastavení mířidel

Pistole byla ve výrobním podniku nastřelena na vzdálenost 25 m tak, že střední bod zásahu se přibližně shoduje se záměrným bodem.

Stranovou korekci je možné provést posunutím hledí v rybinovité drážce. Před jejím provedením je nutné povolit šroubek zajišťující hledí proti vypadnutí. Po seřízení hledí je nutné šroubek zpět zašroubovat a zajistit aplikací Loctite 243. Výšková korekce se provádí otáčením šroubu.

V případě potřeby je možné hledí nahradit jiným hledím vhodného typu a vyměnit i mušku, která je zajištěna pružným kolíkem. Tyto úpravy svěřte odborné dílně.

U provedení CZ Shadow 2 Target se stranová korekce provádí otáčením šroubku na pravé straně hledí a výšková korekce otáčením šroubu na horní straně hledí (obr. 7). Na zbrani je z výroby nainstalována širší muška a v balení je ke zbrani navíc dodávána muška užší. Hledí i muška jsou proti vypadnutí zajištěny šroubky, které se zajišťují aplikací Loctite 243.

Nastavení zádržky zásobníku

Hmatník zádržky zásobníku je možné nastavit ve třech polohách. Po výběru polohy hmatníku zádržky zásobníku použijte k zajištění dostatečné fixace šroubku použijte na závit středně pevnostní zajišťovač závitů Loctite 243.

Provedení CZ Shadow 2 Compact se dodává s hmatníkem, který není možné ve třech polohách nastavit, ale lze ho za takový hmatník vyměnit.

Provedení CZ Shadow 2 Target umožňuje zádržku zásobníku otočit a namontovat z pravé strany zbraně, případně ji nahradit jinou zádržkou vhodného typu.

Nastavení spoušťového mechanismu

PLATÍ POUZE PRO PROVEDENÍ CZ SHADOW 2 TARGET

Dosah na spoušť

Dosah lze nastavit v pěti polohách. Pro změnu nastavení je nutné povolit pojišťovací šroub hmatníku spouště a poté je možné s hmatníkem posouvat. Před dotažením šroubku se vždy ujistěte, že značka na hmatníku spouště je zarovnaná se značkou na základně spouště (obr. 8). Šroubek zajistěte aplikací Loctite 243 a dotáhněte max. 1 Nm.

Odpor spouště

Ve výrobním podniku byl nastaven odpor spouště na 10 N. Šroubek pro nastavení odporu spouště se nachází ve vyhazovači (obr. 9) a je přístupný po sejmutí závěru způsobem uvedeným dále v části *Rozborka pro čištění*.

NÁVOD NA POUŽITÍ

Dotazením šroubku se odpor zvyšuje a povolením naopak snižuje. Po nastavení zvolené hodnoty šroubek zajistěte aplikací Loctite 243.

Výrobce nedoporučuje nastavovat odpor spouště menší než 10 N. V případě nastavení odporu spouště vyššího než 10 N může být potřeba nastavit větší propad spouště, aby byla zajištěna spolehlivá funkce kohoutku. Používáním a opotřebením zbraně se nastavený odpor může měnit a proto doporučujeme nastavení pravidelně kontrolovat.

Délka chodu spouště

Šroubky nastavující propad spouště a délku mrtvého chodu byly ve výrobním závodě nastaveny na optimální hodnoty (obr. 10). Nastavení příliš krátkého mrtvého chodu a propadu může vést k nižší spolehlivosti zbraně. Přílišné snížení propadu spouště může při nastavení vyššího odporu spouště vést k tomu, že kohoutek nebude možné uvolnit. Naopak příliš krátký mrtvý chod může vést k nezachytávání kohoutku v zadní poloze. Nastavení šroubků doporučujeme svěřit odborné dílně.

UPOZORNĚNÍ:

Zbraň je pro snazší nastavení dodávána s nezajištěnými šroubky spouště. Jedná se o pojistný šroubek hmatníku spouště, stavěcí šroubek odporu, šroubek nastavení propadu a mrtvého chodu (všechny šroubky jsou zvýrazněné na obrázcích 8, 9 a 10). Před střelbou je zajistěte aplikací Loctite 243!

Montáž příslušenství

PLATÍ POUZE PRO PROVEDENÍ CZ SHADOW 2 TARGET

Zbraň je vybavena upínacím rozhraním v přední části rámu. Vložka rámu se šroubky a 100 g závaží (obr. 11) nejsou součástí balení zbraně, ale je možné je dokoupit v České zbrojovce a.s. Tyto přídatná závaží lze vrstvit.

Pro montáž příslušenství je nutné pistoli rozebrat způsobem uvedeným dále v části *Rozborka pro čištění*.

POKYNY PRO ÚDRŽBU

Rozborka pro čišťení

ZAMIŘTE DO BEZPEČNÉHO PROSTORU!

1. Vymějte zásobník. Pistole se zasunutým zásobníkem je nerozebíratelná!
2. Odjistěte pojistku, aby bylo možné pohybovat se závěrem.
3. PŘESVĚDČTE SE, ŽE V NÁBOJOVÉ KOMOŘE NENÍ NÁBOJ!
4. Vykleňte kohoutek mírně dozadu a uvolněte jej, takže zůstane zachycen na bezpečnostním ozubu. V tomto stavu bude další manipulace nejsnazší.
5. Prostrčte palec levé ruky lučičkem, zbývajícími prsty uchopte shora přední část závěru (obr. 12). Závěr posuňte kousek dozadu, až se rysky v zadní části rámu a závěru vyrovnají.
6. DRŽTE RYSKY VYROVNANÉ a z pravé strany zatlačte (klepněte) na záchyt závěru (levý), např. dnem zásobníku (obr. 13). Vymějte záchyt závěru z levé strany.
7. Závěr s hlavní vysuňte dopředu.
8. Vymějte vratnou pružinu s vedením.

U provedení CZ Shadow 2 Orange s vyjímatelným vedením hlavně (bushingem) uvolněte zátku vratné pružiny a otočte vedením hlavně ve směru hodinových ručiček o 40° a vysuňte ho ze závěru (k otočení vedení hlavně v závěru použijte příložený demontážní klíč). Vymějte zátku vratné pružiny.

Při zpětné montáži zkontrolujte, že vedení vratné pružiny nevyčnívá ze závěru. V případě špatné montáže zbraně hrozí poškození rámu a snížení životnosti vratné pružiny.

9. Vymějte hlaveň ze závěru.

Potud provedená rozborka pro běžnou údržbu stačí. Po vystřelení velkého počtu nábojů demontujte rovněž zápalník a zásobník.

Výměna nárazníku

Na vedení vratné pružiny je umístěn gumový nárazník (buffer). Ten slouží k tlumení rázu závěru na tělo zbraně. V případě jeho opotřebení (hodnotí se vizuálně) jej vyměňte. Preventivní výměna se doporučuje po vystřelení cca 1000 až 1500 ran.

Demontáž zápalníku

Zatlačte vhodným predmetom koniec zápalníku pod úroveň desky zápalníku a vysuňte desku asi o 2 mm dolú. Potom pridržte nad deskou zápalníku palec, aby nemohl byť zápalník vymrštený ze závěru a druhou rukou vysuňte desku zápalníku zcela ze závěru. Při této demontáži buďte velmi opatrní, neboť zápalník může být po vymrštení ztracen nebo může způsobit zranění.

Demontáž zásobníku

Liší se v závislosti na konstrukci zásobníku. Má-li zásobník otvor ve dně zásobníku, zatlačte skrz otvor na západku dna a povysuňte dno zásobníku mírně dopředu. Je-li zásobník v zadní části opatřen odsunovací západkou dna, přesuňte ji do demontážní polohy a následně dno zásobníku mírně povysuňte dopředu (obr. 14). Potom dejte nade dno palec, abyste jím přidrželi pružinu a druhou rukou zcela vysuňte dno z vodicích drážek. Při této demontáži buďte velmi opatrní, aby nedošlo ke zranění vymrštenou pružinou.

UPOZORNĚNÍ:

Žádné další díly pistole nedemontujte. Pokud se domníváte, že pistole vyžaduje seřízení nebo opravu, svěřte ji odborné dílně!

Čistění pistole

Čistěte pistoli

- po každém použití
- po každém navlhnutí
- co nejdříve po stříbě
- v mírných klimatických podmínkách nejméně jednou za rok
- v náročných klimatických podmínkách nejméně jednou měsíčně

Čistění vývrtu a nábojové komory

Pokud nebylo z pistole stříleno nebo bylo vystřeleno jen několik nábojů, vytřete vývrt a nábojovou komoru suchým hadříkem navlečeným do vytěraku. Hadříky vyměňujte tak dlouho, až bude poslední kousek čistý.

Pokud je vývrt silně znečištěn, naneste do něj a do komory kartáčkem čisticí roztok, nechte asi 10 minut působit (doba působení se může u různých čisticích prostředků lišit) a vyčistěte kartáčkem. Vysušte vývrt a komoru čistým hadříkem a zkontrolujte, zda byly všechny spaliny odstraněny. V případě potřeby postup opakujte.

NÁVOD NA POUŽITÍ

Vytěrák i kartáček zasouvejte do hlavně od komory, abyste nepoškodili ústí hlavně. Kartáček protlačujte celou hlavní, než změníte směr pohybu. Pokud byste změnil směr pohybu s kartáčkem v hlavní, mohl by se kartáček v hlavní vzpříčit.

Čistění ostatních částí pistole

Ostatní části pistole (včetně vnějších ploch hlavně) čistěte suchým hadříkem, starým kartáčkem na zuby, mosazným kartáčkem nebo dřevěnou škrabkou. Při čišťení můžete použít i konzervační olej nebo petrolej. Nikdy však nepoužívejte roztok určený pro čišťení vývrtu! Ten by mohl zůstat ve spárách mezi součástkami a po delší době způsobit korozi.

Přesvědčte se, že zbytky hadříku nebo štětiny z kartáčku neuvízly v žádné části pistole.

Konzervace

Vývrt, nábojovou komoru a všechny přístupné součásti po vyčišťení do sucha potřete hadříkem zvlhčeným v konzervačním oleji nebo použijte olej ve spreji. Přebytečný olej setřete.

U provedení CZ Shadow 2 Orange proveďte rovněž konzervaci přední části hlavně a vnitřního průměru vedení hlavně.

Před střelbou vytřete vývrt do sucha. Používáte-li pistoli při nízkých teplotách, odstraňte olej ze všech přístupných částí nebo použijte speciální mazadlo určené pro tyto podmínky.

Konzervační vazelinu používejte jen pro dlouhodobé skladování v náročných klimatických podmínkách a před použitím pistole ji důkladně odstraňte.

Nakládání s odpady

Materiály výrobku a obalu nemají při správném používání žádné negativní dopady na zdraví člověka ani životní prostředí. V případě nutnosti odstranění výrobku nebo jeho obalu platí, že kovové součásti (ocel a barevné kovy), plasty, dřevo, papír a lepenka se ukládají odděleně do sběrných nádob k tomu určených.

NÁVOD NA POUŽITÍ

ODSTRAŇOVÁNÍ FUNKČNÍCH ZÁVAD

Při správném používání a údržbě je pravděpodobnost vzniku závad minimální. Pokud tato situace přesto nastane, řiďte se následujícími pokyny.

POZOR - pokud vznikne při střelbě závada funkce, mimořádně se zvyšuje pravděpodobnost nechtěného výstřelu. Proto při odstraňování závady důsledně dodržujte dříve uvedené bezpečnostní pokyny. Mířte neustále do bezpečného prostoru, neotáčejte pistoli proti sobě ani proti jiným osobám, nedávejte ruce před ústí hlavně!

Závada	Pravděpodobná příčina	Způsob odstranění
Nepodání náboje do komory nebo nedovření závěru	Zásobník není dostatečně zasunut nebo je poškozený. Zbraň nebo náboje jsou znečištěny nebo příliš silně namazány.	Zasuňte řádně zásobník nebo použijte jiný. Vyčistěte zbraň a náboje do sucha, případně lehce namažte.
Selhač	Použitý náboj je vadný. Znečištěný otvor pro zápalník nebo nevhodné mazadlo při nízké okolní teplotě.	Znovu stiskněte spoušť. Pokud nedojde k výstřelu, postupujte podle bodu 19 bezpečnostních pokynů. Demontujte a vyčistěte zápalník, případně použijte mazadlo pro nízké teploty.
"Slabá rána" spojená s nevyhozením nábojnice	Zápalka byla aktivována, ale v nábojnici nebyl prach.	Vybijte zbraň a přesvědčte se, zda střela neuvízla v hlavni. Případný další výstřel by mohl vážně poškodit hlavěň!
Nevyhození	Znečištěná nábojová komora, vytahovač nebo střelivo, případně použití nevhodného mazadla při nízké teplotě.	Vyčistěte pistoli do sucha, případně lehce namažte vhodným mazadlem. Použijte nové čisté střelivo.

Pokud nelze závadu odstranit žádným z výše uvedených způsobů, svěřte pistoli k prohlídce a opravě odborné dílně.

Vzhledem ke speciálním úpravám CZ Shadow 2 Target může být během prvních cca 2000 ran obtížné napínání závěru doprovázeno výskytem závad "Nedovření závěru" a "Nevyhození", kterým je vhodné předcházet důsledným mazáním vedení závěru. V žádném případě nevyměňujte vratnou pružinu za slabší!

NÁVOD NA POUŽITÍ

SEZNAM SOUČÁSTEK

- | | |
|---------------------------------|------------------------------------|
| 1 Rám * | 32 Zádržka zásobníku * |
| 2 Záchyt závěru * | 33 Pružina zádržky zásobníku |
| 3 Pružina záchytu závěru | 34 Pružina táhla spouště |
| 4 Kolík pružiny záchytu závěru | 35 Šroub pružiny zádržky zásobníku |
| 5 Spoušť * | 36 Zásobník * |
| 6 Čep spouště | 37 Zápalník * |
| 7 Táhlo spouště | 38 Pružina zápalníku |
| 8 Pružina spouště | 39 Deska zápalníku |
| 9 Čep (3x) | 40 Nárazník * |
| 10 Vyhazovač | 41 Vratná pružina * |
| 11 Záchyt kohoutku | 42 Vedení vratné pružiny * |
| 12 Pružina záchytu kohoutku | 43 Hlaveň * |
| 13 Čep záchytu kohoutku | 44 Závěr * |
| 14 Pojistka pravá * | 45 Muška |
| 15 Západka pojistky pravá * | 46 Kolík mušky * |
| 16 Kohoutek * | 47 - |
| 17 Přerušovač * | 48 - |
| 18 Čep kohoutku | 49 - |
| 19 Pojistný kolík čepu kohoutku | 50 Vytahovač * |
| 20 Tyčka bicí pružiny * | 51 Čep vytahovače |
| 21 Bicí pružina | 52 Pružina vytahovače |
| 22 Zátka bicí pružiny * | 53 Hledí * |
| 23 Kolík zátky bicí pružiny | 54 Zajišťovací šroub (2x) * |
| 24 Vedení zásobníku * | 55 Šroub spouště * |
| 25 Kolík vedení zásobníku | 56 Vějířovitá podložka (2x) * |
| 26 Střenka levá * | 57 Krytka * |
| 27 Střenka pravá * | 58 Šroub krytky (2x) * |
| 28 Šroub střenky (2x) * | 59 Deska kolimátoru * |
| 29 Pojistka levá * | 60 Šroub desky kolimátoru (2x) * |
| 30 Západka pojistky levá | 61 Vedení hlavně * |
| 31 Pružina západky pojistky * | 62 Zátka vratné pružiny * |

* Takto označené součástky jsou u jednotlivých provedení odlišné, případně u některých provedení zcela chybí.

ADAPTÉR CZ KADET V RÁŽI .22 LR

Adaptér Kadet v ráži .22 LR lze pro pistole CZ Shadow 2 a CZ 75 SP-01 Shadow dodávat v těchto variantách:

1. Samostatný adaptér, který může být zamontován na rám libovolné pistole CZ Shadow 2 nebo CZ 75 SP-01 Shadow
2. Kompletní pistole CZ Shadow 2 nebo CZ 75 SP-01 Shadow v ráži .22 LR

Mezi hlavní přednosti adaptéru patří:

- zachování typických vlastností pistolí CZ Shadow
- ekonomičnost střelby, výhodná zejména při tréninku
- snadná montáž adaptéru na rám, bez nutnosti dolícování

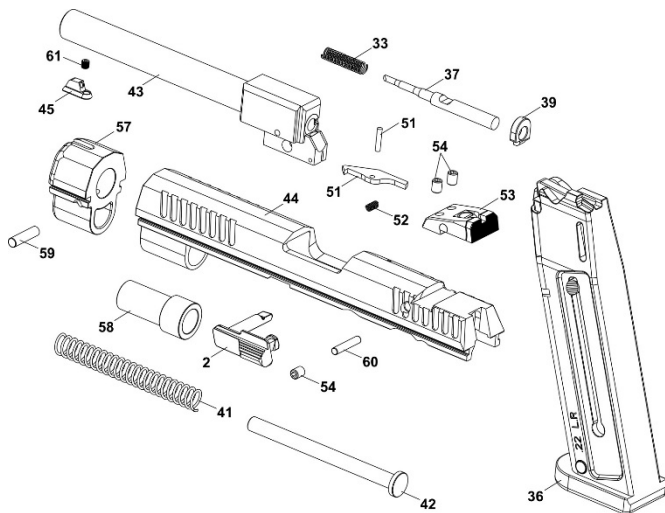
Instalace adaptéru

Pro použití adaptéru v ráži .22 LR na existujícím provedení pistole není potřeba provádět žádné úpravy ani dolícování. Dle pokynů popsaných v kapitole *Rozborka pro čištění* se provede sejmutí existující sestavy závěru úplného a na rám pistole se namontuje adaptér v ráži .22 LR. S adaptérem je vždy nutné používat dodaný záchyt závěru označený "22 LR" a zásobník v ráži .22 LR.

Ke zbrani je přibalena dvojice barevně odlišených vratných pružin. Modře značená je vhodná pro slabší laborace střeliva .22LR (například subsonické střelivo). Červeně značená pak pro silnější střelivo (například provedení high velocity).

NÁVOD NA POUŽITÍ

Vyobrazení a seznam součástí adaptéru



- | | | | |
|----|-----------------------|----|------------------------|
| 2 | Záchyt závěru | 50 | Vytahovač |
| 36 | Zásobník | 51 | Čep vytahovače |
| 37 | Zápalník | 52 | Pružina vytahovače |
| 38 | Pružina zápalníku | 53 | Hledí |
| 39 | Deska zápalníku | 54 | Zajišťovací šroub (3x) |
| 41 | Vratná pružina | 57 | Nástavec |
| 42 | Vedení vratné pružiny | 58 | Pouzdro |
| 43 | Hlaveň | 59 | Kolík nástavce |
| 44 | Závěr | 60 | Kolík zápalníku |
| 45 | Muška | 61 | Šroub mušky |

SEZNAM OBRÁZKŮ

1. Názvosloví hlavních dílů
2. Vyjmutí zásobníku
3. Nabíjení pistole
4. Vypuštění závěru ze "střelecké pohotovosti" stlačením záchytu závěru
5. Přesunutí pojistky do zajištěné polohy
6. Vypuštění kohoutku u provedení s pojistkou
7. Korekce stavitelného hledí
8. Nastavení dosahu spouště
9. Šroub pro regulaci odporu spouště
10. A) Šroub pro nastavení propadu spouště
B) Šroub pro nastavení mrtvého chodu spouště
11. Upínací rozhraní pro zvláštní příslušenství
12. Nastavení závěru do demontážní polohy
13. Povysunutí záchytu závěru s využitím dna zásobníku
14. Demontáž zásobníku

Výrobce si ponechává právo provést změny, které považuje za nezbytné pro vylepšení svých modelů, nebo aby vyhověl požadavkům výrobní nebo obchodní povahy.

Bevor Sie die Pistole benutzen, machen Sie sich bitte mit dieser Anleitung und besonders mit den folgenden Sicherheitsbestimmungen vertraut.

Falscher oder nachlässiger Umgang mit der Pistole kann einen unbeabsichtigten Schuss verursachen, der Verletzung, Tod oder Sachschaden zur Folge haben kann. Die gleichen Folgen können eigenmächtige Änderungen, Korrosion oder Gebrauch von nicht vorschriftsmäßiger bzw. beschädigter Munition haben. In diesen Fällen kann der Hersteller keine Verantwortung für entstehende Folgen tragen. Bevor die Pistole in den Verkauf gebracht wurde, wurde sie überprüft, sorgfältig durchgesehen und verpackt. Nachdem die Pistole das Herstellerwerk verlassen hat, kann CZ den weiteren Umgang mit ihr nicht kontrollieren. Überprüfen Sie deshalb beim Kauf der Pistole, dass sie weder geladen noch beschädigt ist.

Diese Bedienungsanleitung sollte der Pistole immer beigelegt sein. Dies gilt auch für den Fall, dass Sie die Pistole jemandem verleihen oder verkaufen.

INHALT

SICHERHEITSBESTIMMUNGEN	53
FACHAUSDRÜCKE UND BESCHREIBUNG	55
GEBRAUCHSANWEISUNGEN	57
Munition	57
Herausnehmen des Magazins	57
Füllen des Magazins	57
Laden der Pistole	58
Nachladen während des Schießens	58
Entladen der Pistole	58
Sicherung der Pistole	58
Einstellen der Visiereinrichtungen	59
Einstellen des Magazinsperrstücks	60
Einstellen des Abzugsmechanismus	60
Montage von Zubehör	61
PFLEGEANWEISUNGEN	62
Zerlegen zur Reinigung	62
Auswechseln des Anschlags	63
Demontage des Schlagstiftes	63
Demontage des Magazins	63
Reinigung der Pistole	63
Reinigung von Laufbohrung und Patronenkammer	64
Reinigung der anderen PISTOLENTEILE	64
Konservierung	65
Abfallentsorgung	65
VERZEICHNIS DER BESTANDTEILE	66
CZ ADAPTER KADET KALIBER .22 LR	67
BEHEBUNG VON FUNKTIONSTÖRUNGEN	69
VERZEICHNIS DER ABBILDUNGEN	70

SICHERHEITSBESTIMMUNGEN

Bitte beachten Sie die folgenden Sicherheitsbestimmungen zu Ihrer eigenen Sicherheit und zur Sicherheit anderer Personen.

1. Gehen Sie stets mit Ihrer Pistole so um, als ob sie geladen wäre.
2. Zielen Sie mit Ihrer Pistole nie auf etwas, worauf Sie zu schießen nicht beabsichtigen.
3. Glauben Sie niemandem, dass die Pistole nicht geladen ist.
4. Bevor Sie die Pistole ablegen oder an eine andere Person übergeben, überzeugen Sie sich immer davon, dass sie nicht geladen ist.
5. Bewahren Sie die Pistole ungeladen, mit dem Abzug in der vorderen Position auf.
6. Verwenden Sie die Pistole nie zu anderen Zwecken als zum Schießen.
7. Lassen Sie die geladene Pistole niemals ohne Aufsicht.
8. Überzeugen Sie sich vor dem Laden der Pistole, dass die Laufbohrung, Kammer und Verschluss sauber und hindernisfrei sind. Reinigen Sie baldmöglichst durch das Schießen verschmutzte Waffe.
9. Nicht mit der Waffe schießen, wenn Sie sich nicht sicher sind, was für Munition Sie benutzen. Keine nicht gekennzeichnete oder wiedergeladene Munition unbekannter Herkunft, Munition mit geplatzter, deformierter oder eingebeulter Hülse oder beschädigte Munition benutzen. Das Wiederladen ist eine spezialisierte Tätigkeit und falsch geladene Munition kann extrem gefährlich sein. Folge können schwere Beschädigung oder die Zerstörung der Waffe und ernste Verletzungen oder Tod des Schützen oder auch weiterer Personen sein. Benutzen Sie nur saubere, trockene, original in der Fabrik gefertigte Munition von hoher Qualität, die für Ihr Pistolenkaliber geeignet ist.
10. Vermeiden Sie vor und während des Schießens Genuss von Alkoholgetränken und nehmen Sie keine Drogen ein.
11. Falls möglich, tragen Sie beim Schießen Gehörschutz und Schutzbrille.
12. Wenn die Pistole geladen ist, lassen Sie die Sicherung in der Stellung gesichert bis zu dem Zeitpunkt, an dem Sie schussbereit sind. Zielen Sie beim Entsichern in eine sichere Richtung.
13. Blockieren Sie niemals die Auswurföffnung und achten Sie darauf, dass niemand in der Auswurfrichtung der Patronenhülse steht.

14. Betätigen Sie nicht den Abzug und stecken Sie Ihre Finger nicht in den Abzugsbügel, wenn Sie nicht auf ein Ziel zielen und zum Schießen nicht bereit sind.
15. Bevor Sie den Abzug betätigen, kontrollieren Sie nochmals Ihr Ziel und den Raum hinter ihm. Das Geschoss kann durch Ihr Ziel hindurch oder auch an ihm vorbei noch einige hundert Meter weiterfliegen.
16. Schießen Sie niemals auf Wasserfläche oder auf harte Fläche wie Stein.
17. Schießen Sie nicht, wenn sich in der Nähe ein Tier befindet, das auf diesen Lärm nicht dressiert ist.
18. Wenn Sie die Pistole in den Händen halten, unterlassen Sie alle "groben Scherze".
19. Beim Schussversagen: Im Fall eines Schussversagens halten Sie die Pistole weiter auf das Ziel oder in eine sichere Richtung gerichtet und warten Sie 30 Sekunden ab. Wenn es zu einer verzögerten Zündung gekommen ist, schießt die Patrone binnen 30 Sekunden ab. Falls es zur Schussabgabe nicht kommt, ziehen Sie das Magazin heraus, nehmen Sie die Patrone aus dem Lauf und besichtigen Sie das Zündhütchen. Falls der Abdruck vom Schlagstift auf dem Zündhütchen schwach, außerhalb der Mitte, oder gar keiner ist, lassen Sie die Pistole vor weiterem Schießen durch einen qualifizierten Waffenmeister besichtigen.
20. Nicht verschossene Munition aus der Waffe nehmen und sicher gemäß gesetzlicher Vorschriften lagern. Stellen Sie sicher, daß die Pistole nicht geladen ist, bevor Sie die Waffe reinigen, lagern oder transportieren.
21. Bewahren Sie Pistole und Munition in separaten und verschlossenen Behältern außerhalb des Sichtbereichs und des Zugriffs von Kindern bzw. unbefugten Personen auf. Munition immer vor Wärmequellen und offenem Feuer schützen.
22. Ändern Sie nie etwas an den Pistolenbestandteilen. Sie können dadurch die richtige Funktion der Pistole oder derer Sicherheit in ernsthafter Weise beeinträchtigen.
23. Denken Sie daran, dass Korrosion, Gebrauch von defekter Munition, Aufprallen der Pistole auf eine harte Oberfläche oder anderweitiger "grober Umgang" eine Beschädigung herbeiführen kann, die auf den ersten Blick nicht erkennbar sein muss. Kommt es zu etwas Derartigem, lassen Sie die Pistole von einem Fachmann überprüfen.

FACHAUSDRÜCKE UND BESCHREIBUNG

Die in dieser Anleitung verwendeten Bezeichnungen der grundlegenden Pistolenbestandteile sind in Abbildung 1 auf der Innenseite des Umschlags angeführt. Die Namen aller Bestandteile der Pistole sind im Kapitel *Verzeichnis der Bestandteile* angeführt.

Die Pistole CZ Shadow 2 ist eine Selbstlade-Handfeuerwaffe mit geschlossenem Verschlussystem, die für Sportschießen bis zur Entfernung von 50 Metern bestimmt ist. Sie ist mit doppelwirkendem Abzugsmechanismus SA/DA, Sicherheitsabzugs Nase am Abzug und beiderseitiger manueller Sicherung ausgestattet. Zu den charakteristischen Eigenschaften der Pistole gehören:

- doppelwirkender Abzugsmechanismus SA/DA
- zweireihiges Patronenmagazin mit großer Kapazität
- gutes Halten in jeder Hand
- gute Ergebnisse bei instinktivem Schießen/Deutschießen (ohne zu zielen)
- niedriger Abzugswiderstand
- der Nachlauf des Abzugs ist mittels Distanzschraube eingestellt (eingestellt vom Hersteller)
- hohe Treffgenauigkeit
- hohe Lebensdauer
- hohe Zuverlässigkeit auch bei Verwendung von verschiedenen Geschosstypen
- nach Abfeuern der letzten Patrone bleibt der Verschluss geöffnet
- Eignung für Combatschießen
- Visierungen sind mit Leuchtkorn und höhenverstellbarem Visier bestückt, auf Bestellung werden Mikrometervisierungen montiert
- der Rahmen ist im vorderen Teil mit Aufspann-Nuten (MIL-STD-1913) für Befestigung von Sonderzubehör versehen

Pistolen CZ SHADOW Optics Ready sind fabrikmäßig für einfache und hochstabile Montage moderner, kompakter Kollimatoren bewährter Marken (z.B. Trijicon, Vortex, Meopta, Leupold) vorbereitet. Zu den Hauptvorteilen der Pistolen CZ Optics Ready gehören:

- außerordentliche Robustheit, Festigkeit und Beständigkeit der Montage
- niedrige Bauhöhe
- einfaches Einschließen des Kollimators auch auf größere Entfernungen
- Kompatibilität mit vielen bewährten Kollimatoren (Optik nicht im Lieferumfang)
- Design ist der Form der Pistole CZ angepasst

BEDIENUNGSANLEITUNG

Pistolen CZ Shadow 2 Target sind fabrikmäßig angepasste Waffen für das Sportschießen. Zu den Hauptvorzügen dieser Pistole gehören:

- Einfacher Abzugsmechanismus SA
- Einstellbarer Abzugsmechanismus /Abzugswiderstand, Durchfall, Totlauf und Erreichen des Abzugs
- Der Rahmen hat im vorderen Bereich eine Spannschnittstelle für das Befestigen von Sonderzubehör

Ausführung	Funktion	Manuelle Sicherung	Sicherheits abzugsnase
CZ Shadow 2	SA/DA	ja	ja
CZ Shadow 2 Orange	SA/DA	ja	ja
CZ Shadow 2 OR	SA/DA	ja	ja
CZ Shadow 2 SA	SA	ja	ja
CZ Shadow 2 Target	SA	ja	ja
CZ Shadow 2 Compact	SA/DA	ja	ja
CZ 75 SP-01 Shadow	SA/DA	ja	ja

Erläuterungen:

SA (Single Action)

Einfachwirkende Funktion des Abzugsmechanismus. Der Abzug wird manuell aufgezogen und nach Abdrücken des Abzugs kommt es zum Schuss. Der Weg des Abzugs ist kurz, der Widerstand niedrig. Nach jedem Schuss bleibt der Abzug gespannt.

DA (Double Action)

Doppelwirkende Funktion des Abzugsmechanismus. Während des Abdrückens des Abzugs wird der Abzug gespannt und freigegeben. Der Weg des Abzugs ist länger und der Widerstand höher als bei SA.

Sicherheitsrast

Ein Einschnitt am Abzug, der einen ungewollten Schuss in dem Fall verhindert, dass es während des manuellen Spannens des Abzugs zu seinem Entgleiten kommt. Wenn sich der Abzug an der Sicherheitsnase befindet, stützt er sich an dem Verschluss nicht auf, sondern ist er ein wenig nach hinten geschwenkt.

GEBRAUCHSANWEISUNGEN

Munition

Immer Munition zulässiger Produktionsausführung, die die Normen für Munitionshersteller erfüllen und von der C.I.P. (Ständige Internationale Kommission für die Prüfung von Handfeuerwaffen), bzw. SAAMI (amerikanische Norm für Waffen und Munition) genehmigt sind. Der Gebrauch von anderen Patronen kann Waffenbeschädigungen oder Verletzungen des Schützen verursachen. Bei der Benutzung von Fabrikmunition mit Standardgeschwindigkeit ist die Benutzung der Waffen der Česká zbrojovka a.s. sicher. Kontrollieren Sie die Munition, die Sie benutzen wollen, damit Sie die Sicherheit haben, dass sie dem Kaliber Ihrer Waffe entspricht. Bei kommerziell produzierter Munition ist auf jeder Patrone das Kaliber klar auf dem Boden oder am Bodenrand gekennzeichnet.

Herausnehmen des Magazins

Fassen Sie die Pistole in die rechte (linke) Hand und drücken Sie mit Daumen (Mittelfinger) den Magazinfang (Abb. 2). Das Magazin wird gelöst und fällt aus dem Rahmen hinaus. Die Pistole ist mit universalem Magazin Fang versehen, der vom Waffenmeister für Betätigung mit rechter oder linker Hand gedreht werden kann.

Füllen des Magazins

Fassen Sie das Magazin in die Hand mit der Mündung nach oben. Legen Sie die Patrone auf den vorderen Teil des Zubringers und drücken Sie sie nach unten und nach hinten soweit, bis sie die hintere Wand des Magazins berührt. Setzen Sie nächste Patrone auf die vorhergehende auf und schieben Sie diese auf die gleiche Art und Weise ein. Es ist angebracht, falls sich im Magazin bereits größere Anzahl von Patronen befindet, mit dem Daumen der Hand, die das Magazin hält, die Patronensäule ein wenig herunterzudrücken.

Sie können die Anzahl der Patronen im Magazin durch die Kontrollöffnungen in seinen Wänden betrachten. Versuchen Sie nicht, die Kapazität des Magazins zu überschreiten – dies könnte fehlerhaftes Zubringen der ersten Patrone in die Kammer verursachen.

Laden der Pistole

ZIELEN SIE BEIM LADEN DER PISTOLE IMMER IN EINE SICHERE RICHTUNG!

Schieben Sie das volle Magazin in die Pistole ein und überzeugen Sie sich davon, dass es durch den Magazinfang eingerastet ist.

Fassen Sie die Pistole mit einer Hand am Pistolengriff an und fassen Sie mit dem Daumen und Zeigefinger der zweiten Hand den gerillten Teil des Verschlusses an. Ziehen Sie den Verschluss bis zum Anschlag zurück und lassen Sie ihn vorschnellen (Abb. 3). Dabei wird der Abzug gespannt und in die Kammer eine Patrone eingeschoben. Jetzt ist die Pistole schussbereit. Falls Sie nicht beabsichtigen, unmittelbar zu schießen, sichern Sie die Pistole auf die im Kapitel Sicherung der Pistole angeführte Art und Weise ab.

Nachladen während des Schießens

Nach dem Abfeuern der letzten Patrone bleibt der Verschluss in der hinteren Position. Nehmen Sie das leere Magazin heraus und schieben Sie ein gefülltes hinein. Drücken Sie mit der schießenden Hand den Verschlussfang hinwärts (Abb. 4), oder ziehen Sie mit der zweiten Hand den Verschluss zurück und lassen Sie ihn vorschnellen (Abb. 3). Die Pistole ist wieder geladen und zum Schießen bereit.

Entladen der Pistole

ZIELEN SIE BEIM ENTLADEN DER PISTOLE IMMER IN EINE SICHERE RICHTUNG!

- Nehmen Sie das Magazin heraus
- Ziehen Sie den Verschluss zurück und überzeugen Sie sich, dass die Patronenkammer leer ist
- Lassen Sie den Verschluss vorschnellen
- Betätigen Sie den Abzug (Sicherheitsschuss)

Sicherung der Pistole

Verschieben Sie die Sicherung nach oben in die gesicherte Stellung (Abb. 5), bis der rote Punkt verdeckt wird. Dadurch werden der Abzugsmechanismus sowie der Verschluss blockiert, sodass es nicht möglich ist, den Abzug zu drücken oder den Verschluss zu bewegen.

Man kann in Anbetracht der speziellen Anpassungen des Abzugsmechanismus die Sicherung in die Position GESICHERT schwenken, auch wenn der Hahn sich an der Sicherheitsnase befindet. Es wird in diesen Fällen jedoch ausdrücklich nicht empfohlen, die Pistole zu sichern, weil beim gewaltsamen Spannen des Hahns oder beim Betätigen des Abzugs der Abzugsmechanismus beschädigt werden kann. Kommt es dadurch zur Beschädigung des

Abzugsmechanismus, ist es nicht möglich, diesen beim zertifizierten Waffenmeister reparieren zu lassen.

Es ist außer der beschriebenen Art und Weise möglich, die Pistole mit Patrone in Kammer in den sicheren Zustand zu bringen, in dem sie zum sofortigen Schießen bereit ist:

Laden Sie die Pistole, fassen Sie sie am Pistolengriff an, ZIELEN SIE IN EINEN SICHEREN RAUM, drücken Sie mit dem Daumen auf die gerillte Fläche (Daumenrillen) des Abzugs, drücken Sie den Abzug und verlagern Sie den Abzug langsam nach vorne (Abb. 6), bis er sich am Verschluss oder an der Sicherheitsnase am Abzug abstützt. Lösen Sie den Abzug. Führen Sie diese Handlung sehr vorsichtig durch, damit es zum ungewollten Schuss nicht kommt! Üben Sie den ganzen Vorgang zuallererst gründlich ohne Patronen ein!

In diesem Zustand ist die Pistole für gewöhnliche Handhabung sicher und dabei zur sofortigen Benutzung bereit.

Merken Sie sich, dass die sicherste Absicherung der Pistole ihr Entladen und ihre Aufbewahrung auf einem sicheren Ort ist!

Einstellen der Visiereinrichtungen

Die Pistole wurde im Herstellerbetrieb auf eine Entfernung von 25 m so eingeschossen, dass der mittlere Treffpunkt ungefähr mit dem Visierpunkt übereinstimmt.

Man kann die seitliche Korrektur durch Verschieben des Visiers in der Schwalbenschwanznut durchführen. Es ist vor ihrer Durchführung erforderlich, die das Visier gegen Herausfallen sichernde Schraube zu lösen. Es ist nach der Einstellung erforderlich, die Schraube zurück einzuschrauben und mittels der Applikation von Loctite 243 zu sichern. Die Korrektur der Höhe erfolgt durch Drehen der Schraube.

Man kann im Bedarfsfall das Visier durch ein anderes, geeignetes Visier ersetzen, eventuell auch das Korn austauschen, das mit einem Spannstift gesichert ist. Vertrauen Sie diese Anpassungen einer Fachwerkstatt an.

Bei der Ausführung CZ Shadow 2 Target wird die Seitenkorrektur durch Drehen der Schraube rechts am Visier und die Höhenkorrektur durch Drehen der Schraube oben am Visier (Abb. 7) vorgenommen. An der Waffe ist fabrikseitig ein breiteres Korn installiert und in der Verpackung der Waffe ist ein schmaleres Korn enthalten. Visier und Korn sind vor Herausfallen mit Schrauben gesichert, die mit Loctite 243 gesichert sind.

Einstellen des Magazinsperrstücks

Der Stellknopf des Magazinsperrstücks kann in drei Positionen eingestellt werden. Nach Auswahl der Knopfposition des Magazinsperrstücks zur Sicherung der ausreichenden Schraubenfixierung Loctite 243 zur Sicherung des Gewindes mittlerer Festigkeit benutzen.

Die Ausführung CZ Shadow 2 Compact wird mit einem Stellknopf mitgeliefert, der in drei Positionen nicht eingestellt werden kann, kann jedoch durch einen solchen Knopf ersetzt werden.

Bei der Ausführung CZ Shadow 2 Target kann das Magazinsperrstück umgedreht und an der rechten Seite der Waffe angebaut, eventuell durch ein anderes Sperrstück geeigneten Typs ersetzt werden.

Einstellen des Abzugsmechanismus

GILT NUR FÜR DIE AUSFÜHRUNG CZ SHADOW 2 TARGET

Erreichbarkeit des Abzugs

Die Erreichbarkeit kann in fünf Positionen eingestellt werden. Dazu muss die Sicherungsschraube am Stellknopf gelöst werden und dann kann sie mit dem Stellknopf verschoben werden. Vor Festziehen der Schraube immer überprüfen, dass das Zeichen auf dem Stellknopf mit dem Zeichen auf der Abzugsbasis ausgerichtet ist (Abb. 8). Die Schraube mit Loctite 243 sichern und auf max. 1 Nm festziehen.

Abzugswiderstand

Im Produktionswerk wurde der Abzugswiderstand auf 10 N eingestellt. Die Einstellschraube für den Abzugswiderstand befindet sich im Auswerfer (Abb.9) und ist nach Abnehmen des Verschlusses wie weiter im Abschnitt *Zerlegen für das Reinigen* aufgeführt ist.

Durch Festziehen der Schraube erhöht sich der Widerstand und durch Lösen wird er verringert. Nach Einstellen des gewählten Werts die Schraube mit Loctite 243 sichern.

Der Hersteller empfiehlt nicht das Einstellen eines Abzugswiderstands kleiner als 10 N. Bei Einstellen eines höheren Abzugswiderstands als 10 N kann es erforderlich sein, einen größeren Durchfall des Abzugs einzustellen, damit die zuverlässige Funktion des Hahns gesichert ist. Durch Benutzen und Verschleiß der Waffe kann sich der eingestellte Widerstand ändern und deshalb empfehlen wir, ihn regelmäßig zu überprüfen.

Weglänge des Abzugs

Die, den Durchfall und die Totweglänge einstellenden Schrauben wurden im Produktionswerk auf optimalen Wert eingestellt (Abb.10). Das Einstellen einer zu kurzen Totweglänge und Durchfalls kann zu geringerer Waffenzuverlässigkeit führen. Ein zu hohes Senken des Durchfalls kann bei Einstellen eines höheren Abzugswiderstands dazu führen, dass der Hahn nicht gelöst werden kann. Eine zu kurze Totweglänge kann demgegenüber zum Einfangen des Hahns in der hinteren Position führen. Wir empfehlen, die Einstellung dieser Schrauben einer Fachwerkstatt anzuvertrauen.

HINWEIS:

Die Waffe wird zur einfacheren Einstellung mit ungesicherten Abzugsschrauben geliefert. Es handelt sich um die Sicherungsschraube am Stellknopf, die Widerstandseinstellschraube, die Einstellschraube des Durchfalls und der Totweglänge (alle Schrauben sind auf den Abbildungen 8, 9 und 10 hervorgehoben). Diese vor dem Schießen mit Loctite 243 sichern.

Montage von Zubehör

GILT NUR FÜR DIE AUSFÜHRUNG CZ SHADOW 2 TARGET

Die Waffe ist mit Spannschnittstelle am Rahmenvorderteil ausgestattet. Die Rahmeneinlage mit Schrauben und 100 g Gewicht (Abb.11) sind nicht Bestandteil der Waaffenverpackung, können aber bei Česká zbrojovka a.s. zugekauft werden. Diese Zusatzgewichte können geschichtet werden.

Für die Montage des Zubehörs muss die Pistole nach Abschnitt *Zerlegen für das Reinigen* auseinander genommen werden.

PFLEGEANWEISUNGEN

Zerlegen zur Reinigung

ZIELEN SIE MIT DER PISTOLE IN EINE SICHERE RICHTUNG!

1. Nehmen Sie das Magazin heraus. Die Pistole mit eingeschobenem Magazin ist nicht zerlegbar!
2. Entsichern Sie die Sicherung, um den Verschluss bewegen zu können.
3. **ÜBERZEUGEN SIE SICH DAVON, DASS SICH IN DER PATRONENKAMMER KEINE PATRONE BEFINDET!**
4. Schwenken Sie den Abzug mäßig nach hinten aus und lösen Sie ihn, sodass er an der Sicherheitsnase festgehalten bleibt. In diesem Zustand wird die weitere Handhabung am einfachsten.
5. Stecken Sie den Daumen der linken Hand durch den Abzugsbügel hindurch, fassen Sie mit den restlichen Fingern von oben den vorderen Teil des Verschlusses an (Abb. 12). Verschieben Sie den Verschluss ein wenig nach hinten, bis sich die Striche im hinteren Teil des Rahmes und des Verschlusses abgleichen.
6. HALTEN SIE DIE STRICHE ABGEGLICHEN und drücken (klopfen) Sie rechterseits auf den Verschlussfang (den linken), z.B. mit dem Magazinboden (Abb. 13). Nehmen Sie den Verschlussfang linkerseits heraus.
7. Schieben Sie den Verschluss mit dem Lauf nach vorne heraus.
8. Nehmen Sie die Rückzugfeder mit der Führung und zum Schluss den Lauf heraus.

Bei der Ausführung CZ Shadow 2 Orange mit herausnehmbarer Laufführung (Bushing) den Stopfen der Rückzugfeder lösen und die Laufführung im Uhrzeigersinn um 40° drehen und aus dem Verschluss ziehen (für das Drehen der Laufführung im Verschluss den beigelegten Schlüssel benutzen). Den Stopfen der Rückzugfeder herausnehmen.

Achten Sie beim Wiedereinbau darauf, dass die Führung der Rückzugfeder nicht aus dem Verschluss herausragt. Beim unrichtigen Waffenzusammenbau besteht die Gefahr einer Beschädigung des Rahmens sowie Verkürzung der Lebensdauer der Rückzugfeder.

9. Den Lauf aus dem Verschluss nehmen.

Das bis dahin durchgeführte Zerlegen genügt für gewöhnliche Wartung. Demontieren Sie nach Abfeuern einer großen Anzahl von Patronenebenfalls den Schlagstift und das Magazin.

Auswechseln des Anschlags

An der Führung der Rückzugfeder befindet sich ein Gummianschlag (Buffer). Dieser dämpft den Schlag des Verschlusses auf den Waffenkörper. Bei seiner Abnutzung (wird visuell eingeschätzt) auswechseln. Vorbeugend wird der Wechsel nach Verschießen von 1000 bis 1500 Schuss empfohlen.

Demontage des Schlagstiftes

Drücken Sie mit einem geeigneten Gegenstand das Ende des Schlagstiftes unter die Ebene der Platte des Schlagstiftes hinein und schieben Sie die Platte etwa um 2 mm nach unten. Halten Sie danach über der Platte des Schlagstiftes den Daumen, damit der Schlagstift aus dem Verschluss nicht herausgeschleudert werden kann und schieben Sie mit der zweiten Hand die Platte des Schlagstiftes vollständig aus dem Verschluss heraus. Seien Sie bei dieser Demontage sehr vorsichtig, denn der Schlagstift nach dem Herausschleudern verloren gehen oder eine Verletzung verursachen kann.

Demontage des Magazins

Verschieben Sie die Bodenklinke des Magazins in Demontageposition (Abb. 14) oder, bei anderer Konstruktionslösung, drücken Sie durch die Öffnung im Magazinboden auf die Bodenklinke und schieben Sie den Magazinboden etwa um 5 mm nach vorne. Legen Sie danach den Daumen über den Boden so, damit Sie mit ihm die Feder halten und schieben Sie mit der zweiten Hand den Boden aus den Führungsnuten heraus. Seien Sie bei dieser Demontage sehr vorsichtig, damit es durch herausschleudernde Feder nicht zur Verletzung kommt.

HINWEIS:

Demontieren Sie keine weiteren Pistolenteile. Wenn Sie der Meinung sind, die Pistole erfordert Einstellung oder Reparatur, vertrauen Sie sie einer Fachwerkstatt an!

Reinigung der Pistole

Reinigen Sie die Pistole:

- nach jedem Gebrauch
- immer wenn sie feucht wird
- möglichst bald nach dem Schießen
- unter milden klimatischen Bedingungen mindestens einmal pro Jahr
- unter rauen klimatischen Bedingungen mindestens einmal pro Monat

Reinigung von Laufbohrung und Patronenkammer

Wenn aus der Pistole nicht geschossen wurde oder nur wenige Patronen abgefeuert wurden, wischen Sie Laufbohrung und Patronenkammer mit einem trockenen, am Putzstock befestigten Läppchen aus. Die Läppchen sind so lange zu wechseln, bis das letzte Stück sauber ist.

Falls die Bohrung stark verschmutzt ist, tragen Sie mit der Bürste in sie und in die Kammer eine Reinigungslösung auf und lassen Sie diese ca. 10 Minuten einwirken (die Einwirkungszeit kann sich bei Verwendung verschiedener Reinigungsmittel unterscheiden) und reinigen Sie dann diese mit einer Bürste. Trocknen Sie die Bohrung und Kammer mit sauberem Lappen aus und kontrollieren Sie, ob alle Verbrennungsrückstände beseitigt wurden. Im Bedarfsfall ist das Vorgehen zu wiederholen.

Schieben Sie den Putzstock sowie die Bürste in den Lauf von der Kammer herein, um die Laufmündung nicht zu beschädigen. Drücken Sie die Bürste durch den gesamten Lauf durch, bevor Sie die Bewegungsrichtung ändern. Falls Sie die Bewegungsrichtung mit der Bürste im Lauf wechseln würden, könnte sich die Bürste im Lauf verklemmen.

Reinigung der anderen Pistolenteile

Reinigen Sie die anderen Teile der Pistole (einschließlich der Außenflächen des Laufs) mit einem trockenem Lappen, einer alten Zahnbürste, einer Messingbürste oder einem Holzschaber. Bei der Reinigung können Sie auch Konservierungsöl oder Petroleum benutzen. Benutzen Sie jedoch niemals die für die Reinigung der Laufbohrung bestimmte Lösung! Diese könnte in den Fugen zwischen den Bestandteilen zurückbleiben und nach längerer Zeit Korrosion verursachen.

Überzeugen Sie sich davon, dass keine Reste vom Läppchen oder Bürsteborsten in einem Pistolenteil hängengeblieben sind.

Konservierung

Wenn Laufbohrung, Patronenkammer und alle zugänglichen Bestandteile sauber und trocken sind, bestreichen Sie diese Teile mit einem in Konservierungslösung getränkten Lappen oder benutzen Sie Ölspray. Wischen Sie die Ölreste ab.

Bei der Ausführung CZ Shadow 2 Orange auch das Laufvorderteil und den Innendurchmesser der Laufführung konservieren.

Wischen Sie die Bohrung vor dem Schießen trocken aus. Falls Sie die Pistole bei niedrigen Temperaturen benutzen, entfernen Sie das Öl von allen zugänglichen Teilen, oder verwenden Sie speziell für diese Bedingungen bestimmtes Schmiermittel.

Verwenden Sie Konservierungsvaseline nur für langzeitige Lagerung in anspruchsvollen klimatischen Bedingungen und entfernen Sie diese gründlich vor der Benutzung der Pistole.

Abfallentsorgung

Produkt- und Verpackungsmaterialien haben bei richtiger Benutzung keine negativen Auswirkungen auf die Gesundheit des Menschen oder auf die Umwelt. Im Bedarfsfall der Entsorgung des Produktes oder dessen Verpackung gilt, dass Metallbestandteile (Stahl und Buntmetalle), Kunststoffe, Holz, Papier und Karton getrennt in den dafür bestimmten Sammelbehälter zu sammeln sind.

VERZEICHNIS DER BESTANDTEILE

- | | |
|--|--|
| 1 Rahmen * | 32 Magazinfang * |
| 2 Verschlussfang * | 33 Feder des Magazinfangs |
| 3 Feder des Verschlussfangs | 34 Feder der Abzugsstange |
| 4 Stift der Verschlussfangfeder | 35 Federschraube des
Magazinfangs |
| 5 Abzug * | 36 Magazin * |
| 6 Abzugsbolzen | 37 Zünder * |
| 7 Abzugsstange | 38 Feder des Zünders |
| 8 Abzugsfeder | 39 Schlagbolzenplatte |
| 9 Bolzen (3x) | 40 Puffer * |
| 10 Auswerfer | 41 Rückzugfeder * |
| 11 Fangklinke des Abzugs | 42 Führung der Rückzugfeder * |
| 12 Feder der Fangklinke des
Abzugs | 43 Lauf * |
| 13 Bolzen der Fangklinke des
Abzugs | 44 Verschluss * |
| 14 Sicherung rechts * | 45 Korn |
| 15 Sicherungssperre rechts * | 46 Kornhaltestift |
| 16 Hahn * | 47 - |
| 17 Unterbrecher * | 48 - |
| 18 Hahnbolzen | 49 - |
| 19 Sicherungsstift des Hahnbolzens | 50 Auszieher * |
| 20 Schlagfederstange * | 51 Auszieherbolzen |
| 21 Schlagfeder | 52 Auszieherfeder |
| 22 Schlagfederstopfen * | 53 Visier * |
| 23 Stift des Schlagfederstopfens | 54 Feststellschraube (2x) * |
| 24 Magazinführung * | 55 Abzugsschraube * |
| 25 Stift der Magazinführung | 56 Fächerscheibe (2x) * |
| 26 Griffschale links * | 57 Abdeckung * |
| 27 Griffschale rechts * | 58 Schraube der Abdeckung (2x) * |
| 28 Griffschalenschraube (2x) * | 59 Kollimatorplatte * |
| 29 Sicherung links * | 60 Schraube der Kollimatorplatte
(2x) * |
| 30 Sicherungssperre links | 61 Laufführung * |
| 31 Feder der Sicherungsklemme * | 62 Stopfen der Rückzugfeder * |

* Die so gekennzeichneten Bestandteile sind bei den einzelnen Ausführungen verschieden beziehungsweise fehlen sie bei einigen Ausführungen ganz.

CZ ADAPTER KADET KALIBER .22 LR

Der Adapter Kadet in Kaliber .22 LR für die Pistole CZ Shadow 2 und CZ 75 SP-01 Shadow kann in folgenden Varianten geliefert werden:

1. Selbstständiger Adapter, der am Rahmen einer beliebigen Pistole CZ SHADOW 2 oder CZ 75 SP-01 Shadow angebaut werden kann
2. Komplettpistole CZ Shadow 2 oder CZ 75 SP-01 Shadow in Kaliber .22 LR

Zu den Hauptvorteilen des Adapters zählen:

- Beibehalten der typischen Eigenschaften der Pistole CZ Shadow
- Preisgünstiges Schießen, vorteilhaft speziell für Übungsschießen
- Einfache Montage des Adapters am Rahmen, ohne Einpassen

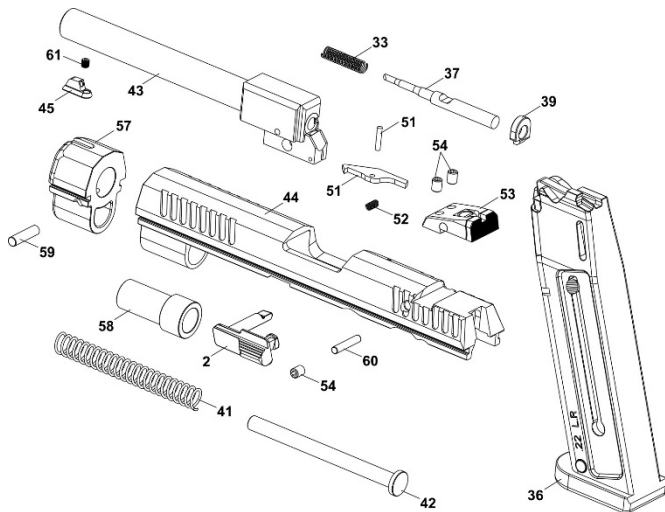
Anbau des KK-Adapters

Zum Einsatz des Adapters im Kaliber .22 LR an der bestehenden Ausführung der Pistole sind keine Nacharbeiten oder Einpassen notwendig. Gemäß der im Kapitel *Zerlegen und Reinigen* beschriebenen Hinweise wird die komplette Baugruppe des Verschlusses abgezogen und auf den Rahmen der Pistole wird der Adapter im Kaliber .22 LR angebaut. Zusammen mit dem Adapter sind immer der mitgelieferte Verschlussfang mit der Kennzeichnung "22 LR" und das Magazin Kaliber .22 LR zu verwenden.

Der Waffe sind zwei farblich differenzierte Rückholfedern beigelegt. Die blau markierte ist für schwächere Munitionsladungen .22LR (z.B. Unterschallmunition) geeignet. Die rot markierte ist dann für stärkere Munition (z.B. die High Velocity Ausführung) geeignet.

BEDIENUNGSANLEITUNG

Darstellung und Komponentenliste des KK-Adapters



- | | | | |
|----|--------------------|----|---------------------|
| 2 | Verschlussfang | 50 | Auszieher |
| 36 | Magazin | 51 | Auszieherbolzen |
| 37 | Schlagbolzen | 52 | Auszieherfeder |
| 38 | Schlagbolzenfeder | 53 | Visier |
| 39 | Schlagbolzenplatte | 54 | Fixierschraube (3x) |
| 41 | Vorholfeder | 57 | Aufsatz |
| 42 | Vorholfederführung | 58 | Gehäuse |
| 43 | Lauf | 59 | Aufsatzstift |
| 44 | Verschluss | 60 | Schlagbolzenstift |
| 45 | Korn | 61 | Kornschaub |

BEHEBUNG VON FUNKTIONSTÖRUNGEN

Bei einer richtigen Handhabung und Instandhaltung ist die Wahrscheinlichkeit einer Störungsentstehung minimal. Sollte trotzdem diese Situation eintreten, so richten Sie sich nach folgenden Anweisungen.

ACHTUNG - Falls es beim Schießen zu einer Funktionsstörung kommt, so erhöht sich die Wahrscheinlichkeit eines unbeabsichtigten Schusses außerordentlich. Halten Sie daher beim Beheben der Störung konsequent die oben angeführten Sicherheitsanweisungen ein. Zielen Sie ständig in eine sichere Richtung, richten Sie die Pistole nie gegen sich oder gegen andere Personen, halten Sie Ihre Hände nicht vor der Laufmündung!

Störung	Wahrscheinliche Ursache	Behebung
Die Patrone wird nicht in die Kammer zugeführt oder der Verschluss schließt nicht ab.	Das Magazin ist nicht vollständig eingeschoben oder ist beschädigt. Die Waffe oder die Patronen sind verunreinigt oder zu stark gefettet.	Schieben Sie das Magazin ordnungsgemäß ein oder verwenden Sie ein anderes. Reinigen Sie die Pistole und die Patronen, bis sie trocken sind, fetten Sie sie gegebenenfalls leicht ein.
Zündversager	Die verwendete Patrone ist defekt. Verunreinigte Öffnung für den Zünder oder ungeeignetes Schmiermittel bei niedriger Umgebungstemperatur.	Drücken Sie nochmals den Abzug. Falls es zum Schuss nicht kommt, gehen Sie nach Punkt 19 der Sicherheitshinweise vor. Bauen Sie den Zünder aus und reinigen Sie ihn, verwenden Sie gegebenenfalls ein Schmiermittel für niedrige Temperaturen.
"Schwacher Schuss" verbunden mit Nichtauswerfen der Patronenhülse.	Das Zündhütchen wurde aktiviert, aber in der Patronenhülse war kein Pulver.	Entladen Sie die Pistole und überzeugen Sie sich, ob das Geschöß nicht im Lauf steckengeblieben ist. Ein eventueller weiterer Schuss könnte den Lauf ernsthaft beschädigen!
Kein Auswerfen	Verunreinigte Patronenkammer, Auszieher oder Munition, gegebenenfalls Anwendung eines ungeeigneten Schmiermittels bei niedriger Umgebungstemperatur.	Reinigen Sie die Pistole, bis sie trocken ist, fetten Sie sie gegebenenfalls leicht mit geeignetem Schmiermittel ein. Verwenden Sie neue saubere Munition.

Falls die Störung auf keine oben angegebene Art und Weise behoben werden kann, so vertrauen Sie die Pistole zur Durchsicht und Reparatur einer Fachwerkstatt an.

Auf Grund der Sonderanpassungen der CZ Shadow 2 Target kann das Verschlussspannen bei den ersten ca. 2000 Schuss schwerer sein und von den Störungen „Verschluss schließt nicht“ und „Kein Auswerfen“ begleitet werden, denen durch konsequentes Schmieren der Verschlussführung vorgebeugt werden kann. Auf keinen Fall die Rückzugfeder durch eine schwächere auswechseln!

VERZEICHNIS DER ABBILDUNGEN

1. Fachausdrücke der Hauptteile
2. Herausnehmen des Magazins
3. Laden der Pistole
4. Entspannen des Verschlusses aus der "Schießbereitschaft" durch Drücken des Verschlussfanges
5. Verschiebung der Sicherung in gesicherte Position
6. Entspannen des Abzugs in Ruheposition
7. Korrektur des einstellbaren Visiers
8. Einstellen der Erreichbarkeit des Abzugs
9. Regelschraube für den Abzugswiderstand
10. A) Einstellschraube für den Abzugsdurchfall
B) Einstellschraube für den Totweg des Abzugs
11. Spannschnittstelle für Sonderzubehör
12. Einstellen des Verschlusses in die Demontageposition
13. Herausnahme des Verschlussfanges unter Ausnutzung des Magazinbodens
14. Demontage des Magazins

Der Hersteller behält sich das Recht vor, Änderungen vorzunehmen, die er für unerlässlich zur Verbesserung seiner Modelle hält, oder um fertigungstechnischen oder geschäftlichen Anforderungen nachzukommen.

Avant de commencer à manipuler le pistolet, veuillez prendre connaissance détaillée de ce manuel, avant tout des consignes de sécurité.

Toute manipulation imprudente ou incorrecte du pistolet peut provoquer un tir involontaire, ayant pour conséquence possible des blessures, la mort ou des dégâts matériels. Des modifications non autorisées, de la corrosion ou l'emploi de munitions non prescrites ou endommagées peuvent avoir les mêmes conséquences. Dans de tels cas, le fabricant ne pourra pas être porté responsable des dommages survenus. Avant d'être expédié dans le réseau de vente, ce pistolet a été testé, examiné avec précautions et emballé. La société CZ ne peut toutefois pas contrôler les manipulations survenues après que le pistolet a quitté l'usine. C'est pour cette raison que nous vous recommandons de contrôler votre pistolet lors de l'achat et ce, pour voir s'il n'est pas chargé ou endommagé. La présente brochure doit toujours accompagner le pistolet, même si vous le prêtez à une tierce personne ou si vous le revendez.

SOMMAIRE

CONSIGNES DE SECURITE	72
TERMINOLOGIE ET DESCRIPTION	74
INSTRUCTIONS D'UTILISATION	76
Munitions	76
Extraction du chargeur	76
Remplissage du chargeur	76
Chargement du pistolet	76
Rechargement au cours de tir	77
Déchargement du pistolet	77
Verrouillage du pistolet	77
Réglage des organes de visée	78
Réglage de l'arrêteur du chargeur	78
Réglage du mécanisme de détente	79
Installation des accessoires	80
INSTRUCTIONS D'ENTRETIEN	80
Démontage pour le nettoyage	80
Remplacement du butoir	81
Démontage du percuteur	81
Démontage du chargeur	81
Nettoyage du pistolet	82
Nettoyage du canon et de la chambre	82
Nettoyage des autres parties du pistolet	82
Conservation	83
Traitement des déchets	83
LISTE DES PIECES	84
ADAPTATEUR CZ KADET DE CALIBRE .22 LR	85
DÉRANGEMENTS	87
LISTE DES FIGURES	88

CONSIGNES DE SECURITE

Respectez en tout temps les consignes de sécurité suivantes, pour votre propre sécurité et pour la sécurité des autres personnes.

1. Toujours manipuler le pistolet comme s'il était chargé.
2. Ne pointer votre pistolet, chargé ou déchargé, que vers la cible désignée.
3. Ne jamais croire personne déclarant que le pistolet n'est pas chargé.
4. Avant de ranger le pistolet ou de le remettre à une autre personne, toujours s'assurer que le pistolet n'est pas chargé.
5. Conserver le pistolet déchargé et le chien en position avant.
6. Ne jamais utiliser le pistolet pour des agissements autres que le tir.
7. Ne jamais laisser un pistolet chargé sans surveillance.
8. Avant de charger le pistolet, s'assurer que l'intérieur du canon, la chambre et la culasse sont propres et libres. Nettoyer le pistolet le plus tôt possible après le tir.
9. Ne jamais tirer avec l'arme si vous n'êtes pas certains des munitions que vous utilisez. Ne jamais utiliser de munitions qui ne seraient pas identifiées, qui auraient été manuellement chargées et dont vous ne connaissez pas l'origine. Ne pas utiliser de munitions lorsque les cartouches sont fissurées, déformées ou écrasées, ni de munitions montrant des traces de détérioration. La recharge est une opération spécialisée, devant être réalisée par un spécialiste et toute cartouche ayant été incorrectement (mal) rechargée peut devenir extrêmement dangereuse. Leur utilisation peut être synonyme de détérioration/destruction de votre arme et de blessures graves, voire même mortelles. Utiliser uniquement des munitions propres, sèches et d'origine, fabriquées en usine et de calibre correspondant à votre pistolet.
10. Avant et pendant le tir, ne jamais consommer des boissons alcooliques ou des drogues.
11. Lors du tir, si les conditions le permettent, utiliser une protection de l'ouïe et des lunettes de tir.
12. Lorsque le pistolet est chargé, laisser la sûreté engagée jusqu'à ce que vous soyez prêt à tirer. Lors du déverrouillage de la sûreté, tenir le pistolet orienté vers un lieu sûr.
13. Ne jamais bloquer la fenêtre d'éjection et contrôler que personne ne se trouve dans la direction de la douille éjectée.

14. Ne jamais mettre le doigt sur la détente ou dans le pontet si vous ne visez pas la cible ou si vous n'êtes pas prêt à tirer.
15. Avant d'appuyer sur la détente, contrôler encore une fois la cible et l'espace situé derrière la cible. La balle peut en effet traverser la cible ou la manquer et porter à plusieurs centaines de mètres.
16. Ne jamais tirer sur la surface de l'eau ni sur une surface dure, par exemple de la pierre.
17. Ne jamais utiliser le pistolet à proximité d'animaux qui ne sont pas habitués à ce bruit.
18. Ne jamais se permettre de faire des « blagues » en tenant le pistolet en mains.
19. Raté lors du tir : Lors d'un raté, attendre 30 secondes en dirigeant le pistolet en direction de la cible ou vers un lieu sûr. Si l'amorçage est retardé, la cartouche doit tirer dans les trente secondes. Si le tir n'a pas lieu, enlever la cartouche du canon et contrôler l'amorce. Si la trace du percuteur est faible, pas centrée ou absente, remettre le pistolet à un armurier qualifié pour qu'il le contrôle et ce, avant de procéder au prochain tir.
20. Avant de nettoyer, de ranger ou de transporter le pistolet, toujours s'assurer qu'il n'est ni chargé, ni armé. Retirer de l'arme toutes les cartouches n'ayant pas été tirées et les ranger ensuite conformément à la législation en vigueur.
21. Ranger le pistolet et les munitions dans un lieu séparé, fermé à clef et hors de portée des enfants et des personnes non autorisées. Toujours protéger les munitions contre les sources de chaleur et les flammes vives.
22. Ne jamais modifier aucune pièce du pistolet. Ceci pourrait en effet influencer son bon fonctionnement ou sa sécurité.
23. Toujours avoir en mémoire que la corrosion, l'utilisation de munitions endommagées, la chute du pistolet sur une surface dure ou toute autre manipulation rude peut être à l'origine d'endommagements qui ne sont pas forcément visibles à première vue. Si une telle situation devait apparaître, faire contrôler le pistolet par un spécialiste.

TERMINOLOGIE ET DESCRIPTION

Les appellations des parties essentielles du pistolet sont reprises sur la figure 1 située sur la face intérieure de la couverture. La liste des pièces est reprise intégralement au le chapitre « *Liste des pièces* ».

Les pistolets de la gamme CZ Shadow sont des armes de poing semi-automatiques munies d'un système de culasse verrouillé. Ces armes sont destinées au tir sportif jusqu'à une distance de 50 mètres. Elles sont équipées d'un mécanisme de détente à double action SA/DA, d'une encoche de sécurité sur le chien et d'une sûreté manuelle bilatérale. Parmi les propriétés caractéristiques de ces pistolets, citons :

- mécanisme de détente à double action SA/DA ;
- chargeur à grande capacité, deux colonnes de cartouches ;
- bonne tenue dans chaque main ;
- bons résultats au tir instinctif (sans viser) ;
- faible résistance de la détente ;
- l'enfoncement de la détente est réglé à l'aide d'une vis de limitation (réglé en usine) ;
- haute précision de tir ;
- longue durée de vie ;
- une fiabilité élevée, même lors de l'utilisation de différents types de munitions ;
- après le tir de la dernière cartouche, la culasse reste ouverte ;
- convient au tir "Combat" ;
- les organes de visée sont équipés d'un guidon conducteur de lumière et d'une hausse réglable en hauteur - sur commande, il est possible d'installer des organes de visée des organes de visée micrométriques ;
- dans sa partie avant, la carcasse est munie de rainures (MIL-STD-1913) permettant d'y fixer des accessoires spéciaux

Les pistolets CZ SHADOW Optics Ready sont des armes qui ont été modifiées en usine afin qu'il soit possible d'y installer facilement des collimateurs compacts et modernes issus d'une large palette de marques renommées (comme par exemple Trijicon, Vortex, Meopta, Leupold). Grâce à ces modifications, le montage sera également très stable. Parmi les principaux avantages des pistolets CZ Optics Ready, nous pouvons citer :

- l'extraordinaire robustesse, solidité et résistance du montage
- une hauteur de construction basse
- la simplicité du réglage du collimateur et ce, même pour un tir à longue distance
- la compatibilité avec un grand nombre de collimateurs chevrons (le dispositif optique ne fait pas partie des fournitures)
- un design assorti à la forme des pistolets CZ d'origine

Les pistolets CZ Shadow 2 Target sont des armes modifiées en usine pour le tir sportif. Les principaux avantages des pistolets CZ Shadow 2 Target sont les suivants :

- mécanisme de détente à action simple SA ;
- mécanisme de détente réglable (résistance de la détente, enfoncement, course morte, accès à la détente)
- dans sa partie avant, la carcasse est dotée d'une interface de fixation d'accessoires spéciaux

Modèle	Fonction	Sûreté	Encoche de sûreté
CZ Shadow 2	SA/DA	oui	oui
CZ Shadow 2 Orange	SA/DA	oui	oui
CZ Shadow 2 OR	SA/DA	oui	oui
CZ Shadow 2 SA	SA	oui	oui
CZ Shadow 2 Target	SA	oui	oui
CZ Shadow 2 Compact	SA/DA	oui	oui
CZ 75 SP-01 Shadow	SA/DA	oui	oui

Explications:

SA (Single Action)

Mécanisme de détente à action simple. Le chien doit être armé avec le pouce ; le coup part lorsqu'on appuie sur la détente. La course de la détente est courte, avec une faible résistance. Le chien se réarme après chaque tir.

DA (Double Action)

Mécanisme de détente à double action. Lorsqu'on appuie sur la détente, le chien est poussé vers l'arrière et il frappe le percuteur lorsqu'il est relâché. La course de la détente est plus longue et la résistance est plus élevée que pour le type SA.

Encoche de sûreté sur le chien

Il s'agit d'une rainure située sur le chien. Cette rainure empêche tout tir involontaire au cas où le chien glisserait lors de son armement manuel. Lorsque le chien se trouve dans cette encoche, il ne touche pas la culasse, mais il est positionné quelque peu en arrière.

INSTRUCTIONS D'UTILISATION

Munitions

Toujours utiliser des munitions dont la production est autorisée, qui satisfont aux normes en vigueur en termes de munitions et qui ont été approuvées par l'organisation CIP (Commission internationale permanente pour les épreuves d'armes et munitions) ou SAAMI (Standard américaine pour les armes et munitions). L'utilisation d'autres munitions peut être source de dommages à l'arme ou de blessures pour le tireur. Si vous utilisez des munitions d'usine ayant une vitesse standard, l'utilisation des armes de la société Česká zbrojovka a.s. est sûre. Toujours vérifier les munitions que vous envisagez d'utiliser, ceci afin d'être certains qu'elles correspondent au calibre de votre arme. Sur toutes les cartouches fabriquées dans un but commercial, le calibre sera clairement indiqué sur le fond de la cartouche, éventuellement autour du fond de la cartouche.

Extraction du chargeur

Saisir le pistolet de la main droite (gauche) et, avec le pouce (le majeur), appuyer sur l'arrêteur du chargeur (figure 2). Le chargeur se libère et tombe hors de la carcasse. Le pistolet est équipé d'un arrêteur de chargeur universel. Cet arrêteur peut être remplacé par un armurier afin que vous puissiez manier l'arme de la main droite ou de la main gauche.

Remplissage du chargeur

Prendre le chargeur en mains, sortie vers le haut. Placer une cartouche sur la partie avant de l'élévateur et appuyer sur la cartouche vers le bas puis vers l'arrière jusqu'à ce qu'elle soit en contact avec la face arrière du chargeur. Poser la cartouche suivante sur la précédente et l'introduire d'une manière analogue. Lorsque le chargeur est presque plein, il est recommandé d'appuyer sur la colonne des cartouches déjà placées avec le pouce de la main qui tient le chargeur.

Le nombre de cartouches dans le chargeur peut être contrôlé au moyen des orifices se trouvant dans les parois latérales du chargeur. Ne jamais essayer de dépasser la capacité du chargeur - cela pourrait entraîner une mauvaise élévation de la première cartouche vers la chambre.

Chargement du pistolet

PENDANT LE CHARGEMENT TENIR LE PISTOLET DIRIGE VERS UN LIEU SUR !

Insérer le chargeur plein dans le pistolet et s'assurer qu'il s'est bien verrouillé par l'arrêteur du chargeur.

Saisir le pistolet d'une main et, à l'aide du pouce et de l'index de l'autre main, tenir fermement la partie rainurée de la culasse. Tirer la culasse vers l'arrière jusqu'à ce qu'elle se trouve en butée et la relâcher (figure 3). Le chien est armé et une

cartouche monte dans la chambre. Le pistolet est ainsi prêt à tirer. Si vous ne comptez pas tirer dans les moments qui suivent, verrouiller le pistolet en suivant les consignes indiquées dans la partie « *Verrouillage du pistolet* ».

Rechargement au cours de tir

Une fois que vous avez tiré la dernière cartouche, la culasse reste en position arrière. Retirer le chargeur vide et le remplacer par un plein. Avec la main qui tient le pistolet, appuyer sur l'arrêt de la culasse (figure 4) pour le faire descendre ou, de l'autre main, tirer la culasse vers l'arrière et la relâcher (figure 3). Le pistolet est ainsi rechargé et à nouveau prêt à tirer.

Déchargement du pistolet

TENIR LE PISTOLET DIRIGÉ VERS UN LIEU SUR !

- retirer le chargeur ;
- tirer la culasse vers l'arrière et s'assurer que la cartouche a été extraite de la chambre et éjectée ;
- relâcher la culasse ;
- appuyer sur la détente (coup de sécurité).

Verrouillage du pistolet

Déplacer la sûreté vers le haut pour la placer dans sa position bloquée (figure 5) et ce, jusqu'à ce que la marque rouge soit cachée. Ceci bloque le mécanisme de détente et la culasse, il n'est donc plus possible de manipuler ni la détente, ni la culasse.

Compte tenu des modifications spécifiques apportées au mécanisme de la détente, il est possible de faire pivoter la sûreté en position VERROUILLÉ même lorsque le chien se trouve dans l'encoche de sécurité. Dans de tels cas, il est cependant impérativement déconseillé de verrouiller le pistolet car en cas d'armement violent du chien ou d'appui de la détente, il est possible que le mécanisme de la détente soit endommagé. Si le mécanisme de la détente est ainsi endommagé, faites le réparer par un armurier certifié.

Outre ce procédé, il est possible de verrouiller le pistolet avec une cartouche dans la chambre, ceci pour qu'il soit prêt pour un tir immédiat :

Charger le pistolet et le tenir par la poignée, TOUJOURS VEILLER À DIRIGER LE PISTOLET VERS UN ENDROIT OÙ RIEN NI PERSONNE N'EST MIS EN DANGER. Avec le pouce, appuyer sur la surface moletée du chien (éperon), appuyer sur la détente et ramener le chien lentement vers l'avant (figure 6), jusqu'à ce qu'il s'appuie sur la culasse ou sur l'encoche de sûreté du chien. Lâcher la détente. Cette opération doit être effectuée avec de grandes précautions pour ne pas provoquer un tir

intempestif ! Nous vous recommandons de vous entraîner à réaliser cette procédure avec un pistolet ne contenant aucune cartouche !

Dans un tel état, le pistolet est verrouillé pour les manipulations courantes et pourtant, il est prêt pour un tir immédiat.

Il convient cependant d'avoir en mémoire que la meilleure sécurité du pistolet est de le décharger et de le placer dans un lieu sûr !

Réglage des organes de visée

En usine, le pistolet a été réglé pour un tir à une distance de 25 m, de manière à ce que le point d'impact corresponde plus ou moins au point visé.

Il est possible de procéder à une correction latérale en déplaçant la hausse dans la rainure. Avant de réaliser cette opération, il est nécessaire de desserrer la vis qui maintient la hausse. Une fois que vous aurez réglé la hausse, il sera nécessaire de resserrer la vis et de bloquer la hausse en appliquant de la colle Loctite 243. La correction verticale se réalise par une rotation de la vis.

En cas de besoin, il est possible de remplacer la hausse par une autre hausse, de type approprié, éventuellement de remplacer également le guidon qui est maintenu en place par une cheville à ressort. Ces modifications doivent cependant toujours être confiées à un atelier spécialisé.

Dans le modèle CZ Shadow 2 Target, la correction latérale (dérive) s'effectue en tournant la vis située sur le côté droit de la hausse et la correction verticale en tournant la vis située sur le dessus de la hausse (figure 7). L'arme a un guidon plus large installé en usine et est livrée avec un deuxième guidon plus étroit. La hausse et le guidon sont fixés par des vis, sécurisées avec de la Loctite 243.

Réglage de l'arrêt de chargeur

Le bouton de l'arrêt de chargeur peut être réglé dans trois positions différentes. Après avoir sélectionné la position du bouton de l'arrêt de chargeur, appliquer du frein filet Loctite 243 à moyenne résistance sur le filet de la petite vis afin de bien la fixer.

Le modèle CZ Shadow 2 Compact est fourni avec un bouton qui ne peut pas être réglé dans trois positions. Ce bouton pourra cependant être remplacé par un bouton permettant ce réglage.

Le modèle CZ Shadow 2 Target permet de faire pivoter l'arrêt de chargeur et de le monter sur le côté droit de l'arme, ou de le remplacer par un autre arrêt de chargeur approprié.

Réglage du mécanisme de détente

VALABLE UNIQUEMENT POUR LE MODÈLE CZ SHADOW 2 TARGET

Position de la détente

La détente peut être réglée sur cinq positions. Pour modifier le réglage, il faut desserrer la vis de blocage de la détente. La détente peut alors être déplacée. Avant de serrer la vis, assurez-vous toujours que le repère sur la détente est aligné avec le repère sur la base de la détente (figure 8). Fixez la vis avec de la Loctite 243 et serrez-la à un maximum de 1 Nm.

Résistance de la détente

La résistance de la détente a été réglée à 10 N en usine. La vis de réglage de la résistance de la détente est située dans l'éjecteur (figure 9) et est accessible en retirant la culasse comme décrit dans le chapitre « *Démontage pour le nettoyage* » ci-dessous.

La résistance augmente en serrant la vis et diminue en la desserrant. Après avoir réglé la valeur sélectionnée, fixez la vis avec de la Loctite 243.

Le fabricant ne recommande pas de régler la résistance de la détente à une valeur inférieure à 10 N. Si la résistance de la détente est supérieure à 10 N, il peut être nécessaire de régler un enfoncement de la détente plus important pour assurer un fonctionnement fiable du chien. Le réglage de la résistance peut varier en fonction de l'utilisation et de l'usure de l'arme, il est donc recommandé de vérifier régulièrement le réglage.

Longueur de la course de la détente

Les vis réglant l'enfoncement de la détente et la longueur de la course morte ont été réglées en usine à des valeurs optimales (figure 10). Une course morte et un enfoncement trop courts peuvent entraîner une baisse de la fiabilité de l'arme. Si l'enfoncement de la détente est trop réduit, un réglage plus élevé de la résistance de la détente peut entraîner l'impossibilité de relâcher le chien. Inversement, une course morte trop courte peut conduire à ce que le chien ne s'enclenche pas en position arrière. Nous vous recommandons de faire régler les vis dans un atelier professionnel.

REMARQUE :

L'arme est livrée avec des vis de détente non sécurisées pour faciliter l'installation. Il s'agit de la vis de blocage de la détente, de la vis de réglage de la résistance, de la vis de réglage de l'enfoncement et de la vis de réglage de la course morte (toutes les vis sont mises en évidence dans les figures 8, 9 et 10). Fixez-les avec de la Loctite 243 avant de tirer !

Installation des accessoires

VALABLE UNIQUEMENT POUR LE MODÈLE CZ SHADOW 2 TARGET

L'arme est équipée d'une interface de fixation dans la partie avant de la carcasse. L'insert de la carcasse avec les vis et le poids de 100 g (figure 11) ne sont pas inclus dans l'emballage, mais peuvent être achetés auprès de Česká zbrojovka a.s. Ces poids supplémentaires peuvent être superposés.

Pour assembler les accessoires, le pistolet doit être démonté comme décrit dans le chapitre « *Démontage pour le nettoyage* » ci-dessous.

INSTRUCTIONS D'ENTRETIEN

Démontage pour le nettoyage

DIRIGER LE PISTOLET VERS UN LIEU SUR !

1. Retirer le chargeur. Il est impossible de démonter un pistolet dont le chargeur serait engagé !
2. Débloquer la sûreté pour pouvoir manipuler la culasse.
3. VÉRIFIER QUE LA CHAMBRE NE CONTIENT AUCUNE CARTOUCHE !
4. Amener le chien légèrement vers l'arrière et le relâcher de façon à ce qu'il s'engage dans l'encoche de sécurité. C'est dans cet état que la suite des manipulations sera la plus facile.
5. Passer le pouce de la main gauche à travers le pontet et tenir, par le haut, la partie avant de la culasse (figure 12) avec les doigts restants. Déplacer ensuite la culasse vers l'arrière jusqu'à ce que les repères de la partie arrière de la carcasse et de la culasse soient alignés.
6. MAINTENIR CES REPÈRES ALIGNÉS et pousser (ou frapper), du côté droit, sur l'arrêtoir de culasse (gauche), par exemple avec le fond du chargeur (figure 13). Enlever l'arrêtoir de culasse par le côté gauche.
7. Sortir la culasse et le canon par l'avant.
8. Enlever le ressort récupérateur avec son guide.

Sur le modèle CZ Shadow 2 Orange où le guide du canon est amovible (bushing), il conviendra de desserrer le bouchon du ressort récupérateur, de faire pivoter le guide du canon de 40° dans le sens des aiguilles d'une montre et de le retirer ensuite de la culasse (pour faire pivoter le guide du canon dans la culasse, utiliser la clé de démontage fournie en accessoire). Retirer le bouchon du ressort récupérateur.

Lors du remontage, vérifier que le guide du ressort récupérateur ne dépasse pas de la culasse. Un montage incorrect pourrait être synonyme d'une dégradation du châssis et d'une réduction de la durée de vie du ressort récupérateur.

9. Retirer le canon de la culasse.

Ce démontage suffit pour un entretien courant. Après avoir tiré un grand nombre de cartouches, il est cependant recommandé de démonter également le percuteur et le chargeur.

Remplacement du butoir

Un butoir en caoutchouc (buffer) est placé sur le guide du ressort récupérateur. Cela permet d'amortir l'impact de la culasse contre le corps de l'arme. Remplacez-le s'il est usé (évaluation visuelle). Un remplacement préventif est recommandé après environ 1000 à 1500 tirs.

Démontage du percuteur

En vous aidant d'un objet approprié, enfoncer la fin du percuteur sous le niveau de sa plaque et appuyer cette plaque vers le bas sur environ 2 mm. Garder ensuite le pouce sur la plaque du percuteur pour qu'il ne puisse pas être éjecté de la culasse et, de l'autre main, enlever la plaque hors de la culasse. Ce démontage demande beaucoup de précautions car le percuteur pourrait être éjecté et perdu, ou encore blesser les personnes présentes.

Démontage du chargeur

Il diffère conformément à la construction du chargeur. S'il y a un orifice situé dans le fond du chargeur, appuyez l'arrêt du fond à travers cet orifice et faites sortir le fond du chargeur légèrement vers l'avant. Si le chargeur est muni par un arrêt coulissant à l'arrière du fond, déplacez le dans une position de démontage et ensuite faites sortir le fond du chargeur légèrement vers l'avant (figure 14). Puis, mettez votre pouce au-dessus du fond pour retenir le ressort et avec votre deuxième main, faites sortir le fond entièrement hors des rainures. Lors de ce démontage, prendre les précautions nécessaires pour que le ressort ne "saute" pas.

REMARQUE :

Ne pas démonter les autres parties du pistolet. Si vous avez l'impression que l'arme a besoin d'un réglage ou d'une réparation, confiez-la à un atelier spécialisé!

Nettoyage du pistolet

Nettoyer le pistolet

- après chaque utilisation;
- chaque fois qu'elle a été exposée à l'humidité ;
- le plus tôt possible après le tir ;
- dans des conditions atmosphériques normales, au moins une fois par an ;
- dans des conditions atmosphériques sévères, au moins une fois par mois.

Nettoyage du canon et de la chambre

Si vous n'avez pas utilisé votre pistolet ou si vous n'avez tiré que quelques cartouches, essuyer l'intérieur du canon et la chambre avec un chiffon sec placé sur la tige de nettoyage. Remplacer les chiffons jusqu'à ce que le dernier bout soit propre.

Si l'intérieur du canon est fortement encrassé, imprégner l'intérieur du canon et la chambre avec du liquide de nettoyage et laisser agir pendant une dizaine de minutes (cette durée peut varier selon le type de produit utilisé) et nettoyer avec la brosse. Sécher l'intérieur du canon et la chambre avec un chiffon propre et contrôler que tous les résidus de combustion ont bien été éliminés. En cas de besoin, répéter l'opération.

La tige de nettoyage et la brosse doivent être insérées à partir de la chambre pour ne pas endommager la bouche du canon. La brosse doit être passée sur toute la longueur du canon sans changer de direction, pour éviter qu'elle ne se bloque dans les rayures.

Nettoyage des autres parties du pistolet

Les autres parties du pistolet (principalement les surfaces extérieures du canon) seront nettoyées avec un chiffon sec, une vieille brosse à dents, une brosse en laiton ou un grattoir en bois. Lors du nettoyage, il est possible d'utiliser de l'huile de conservation ou du pétrole. Ne jamais utiliser le liquide de nettoyage pour l'intérieur du canon ! Ce dernier pourrait en effet rester dans les fentes et y provoquer de la corrosion.

S'assurer qu'aucun résidu de chiffon ou de brosse n'est resté dans aucune partie de l'arme.

Conservation

Après nettoyage, l'intérieur du canon, la chambre et toutes les parties accessibles seront essuyées avec un chiffon doux imprégné d'huile de conservation ou traités par une pulvérisation d'huile spéciale. Essuyer l'excédent d'huile.

Sur le modèle CZ Shadow 2 Orange, conserver également la partie avant du canon et le diamètre intérieur du guide du canon.

Avant le tir, essuyer l'intérieur du canon avec un chiffon sec. Vous utilisez votre pistolet à basses températures, il est nécessaire d'enlever l'huile de toutes les parties accessibles ou d'utiliser une huile adaptée à ces conditions climatiques.

Les moyens de conservation épais, comme la vaseline, ne seront utilisés que pour une conservation de longue durée dans des conditions climatiques difficiles et devront être soigneusement éliminés du pistolet avant que vous ne puissiez l'utiliser.

Traitement des déchets

Si les matériaux du produit et de l'emballage sont traités correctement, ils n'ont aucune incidence négative ni sur la santé humaine ni sur l'environnement. Au cas où il serait nécessaire de liquider le produit ou son emballage, les parties métalliques (acier, métaux non-ferreux), les emballages plastiques, le papier et le carton doivent être déposés séparément dans des conteneurs qui leur sont destinés.

LISTE DES PIÈCES

- | | |
|---|---|
| 1 Carcasse * | 32 Arrêteur du chargeur * |
| 2 Arrêteur de culasse * | 33 Ressort de l'arrêteur du chargeur |
| 3 Ressort de l'arrêteur de culasse | 34 Ressort de la tige de la détente |
| 4 Cheville du ressort de l'arrêteur | 35 Vis du ressort de l'arrêteur du chargeur |
| 5 Détente * | 36 Chargeur * |
| 6 Plot de la détente | 37 Percuteur * |
| 7 Tige de la détente | 38 Ressort du percuteur |
| 8 Ressort de la détente | 39 Plaque du percuteur |
| 9 Plot (3 pièces) | 40 Butoir * |
| 10 Éjecteur | 41 Ressort récupérateur * |
| 11 Gâchette | 42 Guide du ressort récupérateur * |
| 12 Ressort de la gâchette | 43 Canon * |
| 13 Goupille de gâchette | 44 Culasse * |
| 14 Sûreté droite * | 45 Guidon |
| 15 Rochet de la sûreté droite * | 46 Cheville du guidon |
| 16 Chien * | 47 - |
| 17 Déclencheur * | 48 - |
| 18 Plot du chien | 49 - |
| 19 Cheville de sécurité du plot du chien | 50 Extracteur * |
| 20 Tige du ressort de percussion * | 51 Plot de l'extracteur |
| 21 Ressort de percussion | 52 Ressort de l'extracteur |
| 22 Bouchon du ressort de percussion * | 53 Hausse * |
| 23 Goupille du bouchon du ressort de percussion | 54 Vis de blocage (2 pièces) * |
| 24 Guide du chargeur * | 55 Vis de la détente * |
| 25 Goupille du guide du chargeur | 56 Rondelle en éventail (2 pièces) * |
| 26 Plaquette de crosse gauche * | 57 Capuchon * |
| 27 Plaquette de crosse droite * | 58 Vis du capuchon (2x) * |
| 28 Vis de la plaquette (2 pièces) * | 59 Platine du collimateur * |
| 29 Sûreté gauche * | 60 Vis de la platine du collimateur (2x) * |
| 30 Rochet de la sûreté gauche | 61 Guide du canon * |
| 31 Ressort du rochet de sûreté * | 62 Bouchon du ressort récupérateur * |

* Les pièces marquées avec l'étoile sont différentes pour les versions particulières, éventuellement ils manquent aux quelques modèles.

ADAPTATEUR CZ KADET DE CALIBRE .22 LR

L'adaptateur de calibre .22 LR pour pistolets CZ Shadow 2 et CZ 75 SP-01 Shadow peut être fourni dans les variantes suivantes :

1. Adaptateur seul, pouvant être installé sur le cadre de n'importe quel pistolet CZ Shadow 2 ou CZ 75 SP-01 Shadow
2. Pistolet CZ Shadow 2 ou CZ 75 SP-01 Shadow complet, de calibre .22 LR

Les principaux avantages de l'adaptateur sont :

- la conservation des propriétés typiques du pistolet CZ Shadow
- le tir est économique, ce qui sera principalement apprécié lors de l'entraînement
- l'adaptateur se monte facilement sur le cadre, aucun ajustement ne sera nécessaire

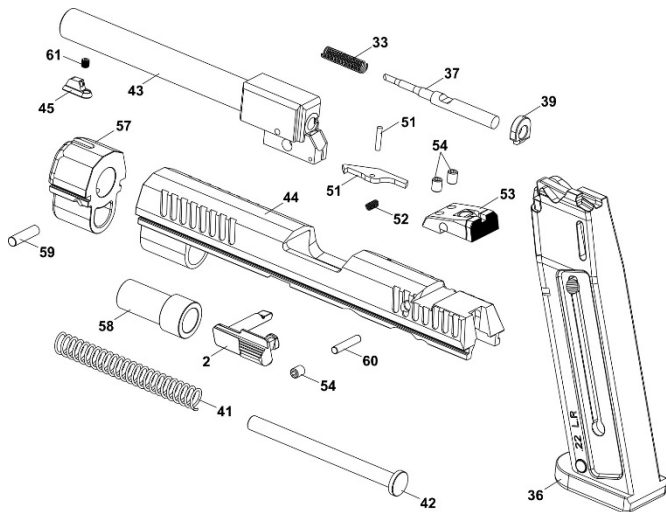
Installation de l'adaptateur

Pour pouvoir installer un adaptateur de calibre .22 LR sur les modèles de pistolets existants, aucune adaptation ni aucun ajustement ne seront nécessaires. En suivant les consignes mentionnées au chapitre *Démontage pour le nettoyage*, retirer l'ensemble de la culasse existant et installer ensuite l'adaptateur de calibre .22 LR sur le cadre du pistolet. Lorsque vous utilisez cet adaptateur, il sera toujours nécessaire d'utiliser également un arrêtoire de la culasse identifié « 22 LR » et un chargeur de calibre .22 LR.

L'arme est fournie avec deux ressorts de rappel de couleurs différentes. Le ressort bleu est destiné aux munitions .22LR moins puissantes (comme les cartouches subsoniques par exemple). Le ressort rouge est, quant à lui, destiné aux munitions plus puissantes (comme les modèles « high velocity » par exemple).

MODE D'EMPLOI

Représentation et nomenclature des composants de l'adaptateur



- 2 Arrêtoire de la culasse
- 36 Chargeur
- 37 Percuteur
- 38 Ressort du percuteur
- 39 Plaque du percuteur
- 41 Ressort récupérateur
- 42 Guide du ressort récupérateur
- 43 Canon
- 44 Culasse
- 45 Guidon

- 50 Extracteur
- 51 Goujon de l'extracteur
- 52 Ressort de l'extracteur
- 53 Hausse
- 54 Vis de blocage (3x)
- 57 Rallonge
- 58 Fourreau
- 59 Goupille de la rallonge
- 60 Goupille du percuteur
- 61 Vis du guidon

DÉRANGEMENTS

Si vous procédez à un entretien régulier et que vous utilisez l'arme normalement, la probabilité d'apparition d'un défaut est minimale. Si toutefois une telle situation devait apparaître, il convient d'appliquer les instructions suivantes.

AVERTISSEMENT ! En cas de problèmes en cours de tir, la probabilité d'un tir inattendu augmente fortement. C'est pour cette raison qu'il convient d'appliquer strictement les consignes de sécurité. Toujours garder le pistolet dirigé vers un lieu où rien ni personne n'est mis en danger, ne jamais le diriger vers les personnes présentes, ne jamais placer la main devant la bouche du canon !

Défaut	Cause probable	Remède
La cartouche ne passe pas dans la chambre	Le chargeur n'est pas suffisamment enfoncé dans son logement ou est endommagé. L'arme ou les cartouches sont fortement encrassées ou trop graissées.	Engager le chargeur comme il faut ou utiliser un autre chargeur. Nettoyer l'arme et les cartouches à sec, graisser légèrement en cas de besoin.
Percussion ratée	La cartouche utilisée est défectueuse. L'orifice destiné au percuteur est bouché par des impuretés ou la graisse utilisée ne convient pas aux basses températures ambiantes.	Appuyer une nouvelle fois sur la détente. Si aucune cartouche n'est tirée, appliquer le point 19 des consignes de sécurité. Démonter et nettoyer le percuteur, utiliser éventuellement un lubrifiant pour basses températures.
« Coup faible » ou non-éjection de la douille	L'amorce a été activée, mais la douille ne contenait pas de poudre.	Décharger l'arme et s'assurer que la balle n'est pas restée dans le canon. Un éventuel autre coup pourrait gravement endommager le canon !
Pas d'éjection	La chambre, l'extracteur ou la cartouche sont fortement encrassés, vous avez éventuellement utilisé de la graisse inadaptée aux basses températures ambiantes.	Nettoyer l'arme à sec, graisser légèrement en cas de besoin. N'utiliser que des munitions neuves, propres.

Si aucun procédé ci-dessus ne permet d'éliminer le problème, veuillez confier votre pistolet à un atelier spécialisé.

En raison des modifications spéciales apportées au CZ Shadow 2 Target, au cours des 2000 premiers tirs environ, un chargement difficile de la culasse peut apparaître avec des dysfonctionnements « Défaut de culasse » et « Défaut d'éjection », qu'il convient d'éviter en lubrifiant régulièrement les guides de culasse. Ne remplacez jamais le ressort récupérateur par un ressort plus faible !

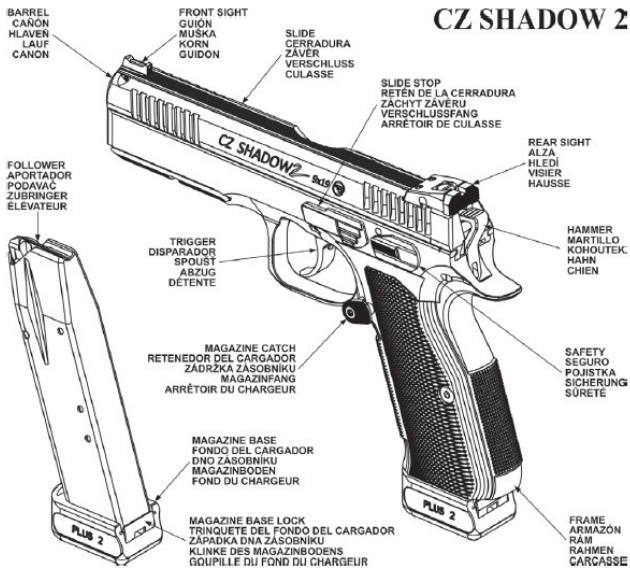
LISTE DES FIGURES

1. Nomenclature des parties principales
2. Extraction du chargeur
3. Chargement du pistolet
4. Déverrouillage de la culasse de position ouverte en actionnant l'arrêtoir de culasse avec la main de tir
5. Engagement de la sûreté
6. Désarmement du chien sur le modèle avec sûreté
7. Correction de la hausse réglable
8. Réglage de la position de la détente
9. Vis de réglage de la résistance de la détente
10. A) Vis de réglage de l'enfoncement de la détente
B) Vis de réglage de la course morte de la détente
11. Interface de fixation pour accessoires spéciaux
12. Réglage de la culasse en position de démontage
13. Retrait de l'arrêtoir de culasse en utilisant le fond du chargeur
14. Démontage du chargeur

Le fabricant se réserve le droit de réaliser des modifications nécessaires à l'amélioration de ses modèles ou répondant à des exigences de caractère technique ou commercial.

1

CZ SHADOW 2



2



3



4



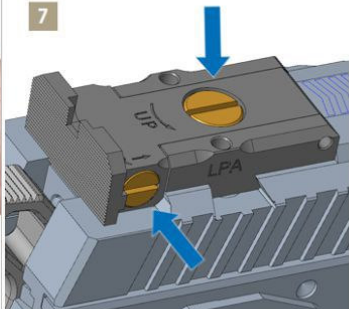
5



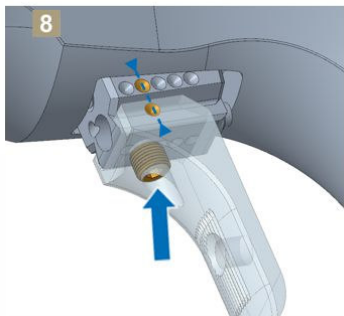
6



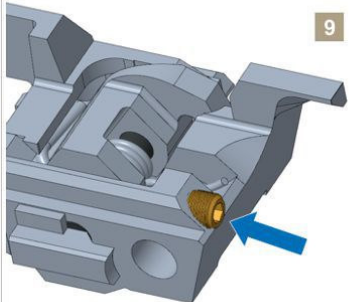
7



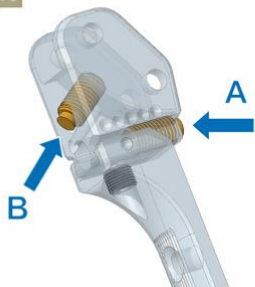
8



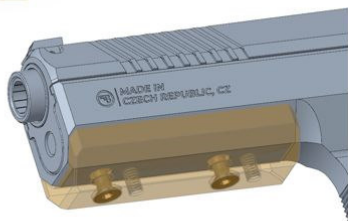
9



10



11



12



13



14

