



# CZ P-10

INSTRUCTION MANUAL  
MANUAL DE INSTRUCCIONES  
NÁVOD NA POUŽITÍ  
BEDIENUNGSANLEITUNG  
MODE D'EMPLOI



**Before handling the pistol read this manual carefully and observe the following safety instructions.**

Improper and careless handling of the pistol could result in unintentional discharge and could cause injury, death or damage to property. The same consequences can be caused by unauthorized modifications or adjustments, corrosion, or use of non-standard or damaged ammunition. In these cases the manufacturer shall not be responsible in any manner whatsoever for the resultant consequences. Before leaving the factory this pistol was tested, carefully inspected, and packed. CZ cannot accept responsibility for product handling while in transit, or upon leaving the factory. Therefore, please examine this pistol carefully at the time of purchase to ensure that it is unloaded and undamaged.

This instruction manual should always accompany this pistol and that even in the case of the loan or sale of this pistol.

## CONTENTS

|  |    |
|--|----|
| SAFETY INSTRUCTIONS                                | 2  |
| PISTOL DESCRIPTION AND TERMINOLOGY                 | 4  |
| Safety Features                                    | 6  |
| OPERATING INSTRUCTIONS                             | 6  |
| Ammunition   | 6  |
| Removal of the Magazine                            | 7  |
| Magazine Loading                                   | 7  |
| Pistol Loading                                     | 7  |
| Reloading During Shooting                          | 7  |
| Unloading the Pistol                               | 8  |
| Sight Adjustment                                   | 8  |
| Changing the Back Strap Inserts                    | 8  |
| Reflex sight installation                          | 8  |
| MAINTENANCE INSTRUCTIONS                           | 9  |
| Stripping for Cleaning - Disassembly               | 9  |
| Magazine Disassembly                               | 9  |
| Cleaning the Pistol                                | 10 |
| Cleaning the Sound Suppressor                      | 10 |
| Cleaning the Barrel Bore and the Cartridge Chamber | 10 |
| Cleaning of Other Pistol Parts                     | 10 |
| Preserving   | 11 |
| Waste Management                                   | 11 |
| TROUBLESHOOTING, CAUSES AND REMEDIES               | 12 |
| LIST OF PARTS                                      | 14 |
| LIST OF ILLUSTRATIONS                              | 15 |

### SAFETY INSTRUCTIONS

Always follow the safety instructions for your safety and the safety of others.

1. Always handle your pistol as if it were loaded.
2. Never point your pistol at anything you do not intend to shoot.
3. Never take anyone's word that a gun is unloaded.
4. Always make sure that your pistol is not loaded before laying it down, or handing it to another person.
5. Always keep and carry your pistol empty, except when you intend to shoot.
6. Never abuse your pistol by using it for any purpose other than shooting.
7. Never leave the pistol cocked and ready to fire unattended.
8. Before loading your pistol be sure that the barrel bore, chamber, and action are clean and clear of obstructions. After shooting, clean the dirtied pistol as soon as possible.
9. Do not shoot the pistol, unless you are certain about the ammunition you are using. Do not use unmarked or hand-loaded ammunition from an unknown source, ammunition with a cracked, deformed or dented case or with a damaged bullet. Reloading is an expert activity and incorrectly reloaded ammunition may be extremely dangerous. It may result in heavy damage or destruction of the pistol and serious injury or death of the shooter or other persons. Always use only clean, dry, original high quality commercially manufactured ammunition, which is appropriate to the caliber of your pistol.
10. Never drink alcoholic beverages or take drugs before or during shooting.
11. Always wear safety glasses and ear protection when shooting.
12. Always keep clear and keep others clear of the ejection port.
13. Never squeeze the trigger or put your finger in the trigger guard until you are aiming at a target and ready to shoot.
14. Always be absolutely sure of your target, and the area behind it, before you squeeze the trigger. A bullet could travel through or past your target up to several hundred meters.
15. Never shoot at a hard surface such as rock, or a liquid surface such as water.
16. Never fire your pistol near an animal unless it is trained to accept the noise.
17. Never indulge in "horseplay" while holding your pistol.
18. Failure to fire: In case of failure to fire hold the firearm keeping it pointed towards the target, or a safe open area and wait 30 seconds. If a hangfire (slow ignition) has occurred, the cartridge will fire within 30 seconds. If the cartridge does not fire, eject the cartridge and examine it. If the firing pin indent on the cartridge is light, or non-existent, have the firearm examined by a competent gunsmith.

## ***INSTRUCTION MANUAL***

---

19. Always make sure your pistol is not loaded before cleaning, storing or travelling. Remove any unused ammunition from the pistol and store it in compliance with the law.
20. Always keep and store your pistol and ammunition in separate locked receptacles out of reach and sight of children and untrained people. Always protect the ammunition from sources of heat and open fire.
21. Never alter any parts of your pistol as the safety and proper function of your pistol could be seriously compromised.
22. Always be aware that corrosion, use of damaged ammunition, dropping the pistol on hard surfaces or other "coarse treatment" could cause damage you may not see. If something like this happens allow the pistol to be examined and tested by a competent gunsmith.

## PISTOL DESCRIPTION AND TERMINOLOGY

The names of basic pistol parts used in this Instruction Manual are presented in Fig. 1 on the inner side of the left-hand cover. Nomenclature of all parts are presented in the section *List of Parts*.

The CZ P-10 is a semi-automatic handgun incorporating short recoil, designed for aimed shooting up to 50 m distances. The pistol utilizes the locked breech principle. It is fitted with a precocked SA trigger mechanism, the firing pin is blocked with an internal (automatic) safety. The frame is made from plastic material. Characteristic features of the CZ P-10 are:

- Comfortable grip and balance in either hand
- Good results at instinctive shooting (without aiming)
- Low trigger pull weight
- High accuracy of fire
- Long service life
- High reliability, even with various types of cartridges
- Sights adapted also for aiming under reduced visibility conditions
- The slide stays open after the last cartridge has been fired
- Suitable for everyday service gun toting
- The standard pistol version is provided with ambidextrous/reversible magazine catch and ambidextrous slide stop
- The front part of the frame provided with grooves for applying special accessories
- Possibility of increasing the magazine capacity by easy replacement of the magazine bottom

The CZ P-10 Optics Ready pistols are factory modified for easy and very stable installation of modern compact collimator sights from a broad range of proven manufacturers (e.g. Trijicon, Vortex, Meopta, Leupold). The main advantages of the CZ Optics Ready (hereinafter OR) pistols include:

- exceptional robustness, strength and durability of the mount
- low mount height
- easy sighting of the collimator sight even at longer distances
- the possibility to use raised co-witness mechanical sights in case of any failure of the optical sights (standard equipment for CZ P-10 C OR)
- compatibility with many popular collimator sights (the sight is not included in the package)
- the design corresponds to the shape of standard CZ pistols

## INSTRUCTION MANUAL

---

The CZ P-10 Suppressor Ready pistols are firearms factory-modified for easy installation of sound suppressors (e.g., by G.I.S.). The main advantages of the CZ Suppressor Ready (hereinafter SR) pistols include:

- simple suppressor installation by the user
- 1/2" x 28 UNEF – 3A connecting interface
- possibility of correction of zeroing of a recommended suppressor
- easy disassembling for cleaning
- factory installed high sights on SR pistol models

The CZ P-10 Optics & Suppressor Ready pistols are firearms factory-modified for easy and highly stable installation of modern compact reflex sights in combination with installation of sound suppressors. Česká zbrojovka, a.s., recommends a sound suppressor with pulse device made by the Czech manufacturer G.I.S., which has been repeatedly tested, for use with the CZ P-10 family of pistols.

**Caution:** The use of a sound suppressor poses additional stress on the firearm frame and higher requirements on ammunition. The recommendations below are stipulated to ensure the maximum possible degree of reliability of self-loading firearms when used with sound suppressors in combination with installed reflex sight.

In order to ensure the correct function of the CZ P-10 Optics & Suppressor Ready pistol fitted with a sound suppressor in combination with installed reflex sight, the manufacturer recommends:

- using factory-made cal. 9x19 subsonic ammunition with a bullet weight of 150 or 158 gr (with standard muzzle velocities of subsonic ammunition of the given caliber)
- installing reflex sights with the max. weight of 35 g on the OR interface of the slide
- checking the tightening of the sound suppressor on the muzzle thread after firing max. 2 full magazines
- checking the general tightening of the sound suppressor assembly according to the sound suppressor operating manual
- using a compact size sound suppressor for the CZ P-10 C pistol; the SC and F versions can also be used with a standard size sound suppressor
- if a sound suppressor is not installed, always cover the thread and the muzzle with a muzzle cap

Conducting cleaning and lubricating in intervals recommended by the manufacturer, refer to the sound suppressor operating manual.

If the pistol is used only for firing with an installed sound suppressor and reflex sight, perform a preventative replacement of the return spring assembly after every 2,000 rounds.

### Comments:

#### *Precocked SA (Single Action)*

Precocked single action trigger mechanism. Before firing, the firing mechanism with striker is partially precocked. When the trigger is pulled, it is further cocked and finally released. After each firing, the trigger must be partially released.

### **Safety Features**

#### *Trigger Guard*

Prevents unintentional pressing of the trigger, for example when the pistol is dropped.

#### *Fall safety*

Minimizes the risk of unwanted firing during improper handling, especially when a loaded pistol falls and there is a risk of firing due to inertia of the firing pin.

#### *Trigger safety*

Prevents unwanted movement of the trigger. Unless the trigger safety is deactivated, the trigger cannot be pulled, thus the pistol cannot be fired.

#### *Firing pin blocking*

Prevents the movement of the firing pin when the trigger is not pulled.

## **OPERATING INSTRUCTIONS**

### **Ammunition**

Always use ammunition in an allowable production design which is in compliance with standards applicable for ammunition manufacturers and is approved by the CIP (Permanent International Commission for Firearms Testing) or SAAMI (Sporting Arms and Ammunition Manufacturers' Institute Inc. of the United States). The use of other cartridges could damage the handgun or cause injury to the shooter. When using factory-made ammunition with standard speed, the use of firearms produced by Česká zbrojovka a.s. is safe. Check the ammunition you are going to use to make sure that it corresponds to the caliber of your firearm. Commercially produced ammunition is clearly marked with the caliber on the bottom or around the bottom of each cartridge case. The manufacturer of the firearm does not recommend excessive dry firing (firing without ammunition). It is

advisable to use snap caps for dry training as they are intended for this purpose. When a sound suppressor is used, subsonic ammunition should be fired otherwise the sound suppressor service life can be reduced.

### Removal of the Magazine

The pistol is equipped with an ambidextrous/reversible magazine catch. Grip the pistol in your right (left) hand and by the thumb (middle finger) depress the magazine catch (Fig. 2). The magazine disengages and falls out of the frame.

### Magazine Loading

With the open end uppermost, grasp the magazine in one hand. Place a cartridge on the magazine follower. Press the cartridge down and back until it touches the rear flat edge of the magazine (Fig. 3). Place the next cartridge on top of the previous cartridge and press down and back. We recommend that when some cartridges are already loaded in the magazine, depress them slightly with the thumb of the hand which holds the magazine.

The number of cartridges can be checked through the inspection holes. Do not try to exceed the magazine capacity - doing so can cause a feeding failure.

### Pistol Loading

ALWAYS MAKE SURE THE PISTOL IS POINTED IN A SAFE DIRECTION WHEN LOADING!

Insert a loaded magazine and ensure that it has engaged the magazine catch.

Slapping the bottom of the magazine too hard when the magazine was not designed for the specific frame size may shorten the life of the cartridge ejector.

Hold the pistol by the grip with one hand, and with the thumb and index finger grasp the serrated finger grips on both sides of the slide. Retract the slide to the stop and allow it to snap forward (Fig. 4). This procedure precocks the trigger and firing mechanism and inserts a cartridge into the chamber. The pistol is now ready to fire.

### Reloading During Shooting

When the last cartridge has been fired the slide will stay to the rear. Remove the emptied magazine and replace it with a loaded one. Thumb down the slide stop with the shooting hand (Fig. 5), or with the other hand draw back the slide and allow it to snap forward. The pistol is again loaded and ready to fire.



### Unloading the Pistol

ALWAYS MAKE SURE THE PISTOL IS POINTED IN A SAFE DIRECTION!

- Remove the magazine
- Draw back the slide and verify the last cartridge has been extracted from the chamber and ejected
- Release the slide vigorously forward
- Pull the trigger (aimed safety shot into a safe area)

### Sight Adjustment

The pistol sights were sighted in at the manufacturing plant at a distance of 15 m (CZ P-10 F at 25 m) so that the mean point of impact approximately conforms to the point of aim. Windage correction can be carried out by the drifting of the rear sight in the dovetail and then secured in its position by screw. Elevation correction is carried out by exchanging the front sight for higher or lower sizes and by securing with a screw. Adjustment of sound suppressor zeroing is performed in accordance with the sound suppressor operating manual.

### Changing the Back Strap Inserts

Each pistol is supplied with a set of changeable back strap inserts, which enables the rear part of the grip to be adjusted according to the individual needs of the user. In order to change the back strap inserts it is necessary to remove the back strap pin (Fig. 6). After replacement of the backstrap, it is recommended to use a new backstrap roll pin.

### Reflex sight installation

To mount the plate under the reflex sight, we recommend using thread glue (e.g. Loctite 243) and tightening the screws to 1.3 Nm. After application, the glue must be let dry according to the manufacturer's instructions.

When mounting the reflex sight, proceed according to the manufacturer's instructions.

## MAINTENANCE INSTRUCTIONS

### Stripping for Cleaning - Disassembly

POINT YOUR PISTOL IN A SAFE DIRECTION!

1. Remove the magazine. The pistol must not be disassembled with the magazine inserted!
2. MAKE SURE THAT THERE IS NO CARTRIDGE IN THE CHAMBER!
3. Pull the trigger and make sure that it remains in the rear position.
4. Grasp the frame with your palm, use the fingers of the same hand to grasp the rear part of the slide from the top. Use your fingers to move the slide back by no more than 5 mm (Fig. 7).
5. Use the fingers of your other hand to push the disassembly plate downwards until it stops. (Fig. 8).
6. Release the pressure on the slide and remove it from the frame (Fig. 9)
7. Remove the recoil spring from the slide and finally the barrel.

Note: Before reassembling the slide on the frame, the trigger must be put to the rear (pulled) position to prevent the frame colliding with the protrusion on the trigger bar.

No further disassembly is needed for routine maintenance. When a great number of cartridges has been fired, it is advisable to also disassemble magazine and to entrust the pistol to a competent gunsmith for the firing pin cleaning.

### Magazine Disassembly

There is a difference depending on the magazine design. If there is a hole in the magazine base, push the base lock through the hole and slide the base slightly forward. If the rear part of the magazine is fitted with a sliding base lock, move it into disassembly position and slide the base slightly forward. Cover the base with your thumb to hold the spring and use the other hand to slide the base completely out of its guiding rails. Be careful during the disassembly as the spring could fly out, or even cause an injury.

CAUTION:

No further disassembly of your pistol is recommended. Should your pistol require adjustment or repair be sure the task is entrusted to a competent gunsmith!

### Cleaning the Pistol

- Clean the pistol
- Each time you use it
- If you get your pistol wet
- As soon as possible after shooting
- At least once a year in a temperate climate
- As often as once a month in a tropical climate, or other demanding environment

### Cleaning the Sound Suppressor

The sound suppressor shall be cleaned according to the sound suppressor operating manual.

### Cleaning the Barrel Bore and the Cartridge Chamber

If the pistol has not been fired or if only a few cartridges have been fired, clean the barrel bore and cartridge chamber by the clean patch attached to the cleaning rod. Repeat the cleaning, changing patches, until the last patch comes out clean.

When the barrel bore is very dirty, apply a gun cleaning solution using a cleaning brush. Let the solvent act for about 10 minutes (this time may vary depending on the solvent agent being used). Then thoroughly scrub out the barrel bore. Subsequently, dry the barrel bore and cartridge chamber with a clean patch and check that all powder residues or fouling have been removed. If necessary repeat this procedure.

The cleaning rod and the brush must be inserted into the barrel bore from the chamber, to prevent wear or damage to the muzzle. Pass the brush all the way through the barrel bore before reversing the movement. If you try to change directions with the brush in the barrel, the brush could stick.

### Cleaning of Other Pistol Parts

Other parts of the pistol (including the external surfaces of the barrel) should be cleaned with a dry cloth, old toothbrush, brass bristle brush or a wooden scraper. Preserving oil or paraffin oil can be used for proper cleaning. Never use the agent designed for barrel bore cleaning! These solutions could remain in the joints, and after some time could cause corrosion.

Check that cloth particles or brush bristles have not become lodged in any part of the pistol.

Caution: Whenever the roll pins of the front or rear insert are removed, it is recommended to replace them with new roll pins.

### **Preserving**

When the barrel bore, cartridge chamber, and all accessible parts are clean and dry, wipe these parts with a cloth soaked in gun oil or apply the oil in a spray. Remove all excess oil.

Before shooting always wipe the barrel bore dry. At very low temperatures remove the oil from all accessible parts or apply a lubricant prepared especially for these conditions.

Use thick preserving agents for example, preserving grease only for a long-term storage in demanding climate environments, and before any use of the pistol it must be thoroughly removed from all parts of the firearm.

### **Waste Management**

When used properly, the materials used in the product and packaging have no adverse effects on human health or the environment. When disposing of the product or its packaging, metal parts (steel and non-ferrous metals), plastics, wood, paper and cardboard should be stored separately in collecting containers intended specifically for that purpose and disposed of in accordance with local / regional / national / international regulations.

### TROUBLESHOOTING, CAUSES AND REMEDIES

If your pistol is properly used and maintained, malfunctions will rarely occur. However, if such a situation does occur, please observe the following instructions.

**CAUTION** - If a malfunction occurs, the possibility of unintentional discharge is substantially increased. For this reason, carefully observe the *Safety Instructions* already mentioned above. Keep the pistol pointed in a safe direction, do not turn the pistol against your body or anyone else's! Do not place your hands in front of the barrel!

If you use your pistol for self-defense, or in law enforcement, please acquire so-called "dummy cartridges" and practice fast clearing of malfunctions as described below.

| Malfunction   | Possible Cause  | Remedy   |
|---|---|--|
| A cartridge has not been fed into the chamber or the slide has not fully locked with the barrel | Magazine is not fully inserted or is damaged.<br><br>The pistol or cartridges are fouled (dirty) or too heavily greased.        | Insert magazine properly or change magazine.<br><br>Clean the pistol and cartridges and wipe them dry or as case may be slightly lubricate.                            |
| Misfire   | Defective cartridge.<br><br>Firing pin hole fouled (dirty) or improper lubrication agent used under low temperature conditions. | If a discharge is not initiated, follow the Safety Instructions according to point 18.<br><br>Disassemble and clean the firing pin or use a low temperature lubricant. |
| A shot sounds "weak" combined with failure to eject the cartridge case                          | The cartridge has been activated but no powder load was inside the cartridge case.  | Unload the pistol and check that the bullet is not lodged in the barrel. A subsequent shot could cause damage to the barrel.   |
| The spent case has not been ejected   | Cartridge chamber, extractor or ammunition dirty, or unsuitable lubricant in low temperature environment.                       | Clean and wipe the pistol dry or lubricate lightly with a suitable agent. Use new and clean ammunition.  |

## **INSTRUCTION MANUAL**

---

If you cannot clear away any malfunction in the manner described above or the pistol is damaged due to rough handling or a fall, entrust the pistol to a competent gunsmith for inspection and repair.

Comment: Functional defects during use of the sound suppressor and methods for their removal are described in the sound suppressor operating manual.

### LIST OF PARTS

- |                               |                                       |
|-------------------------------|---------------------------------------|
| 1 Slide *                     | 21 Slide stop spring                  |
| 2 Barrel *                    | 22 Trigger bar spring (2x)            |
| 3 Firing pin (assembly)       | 23 Magazine catch spring *            |
| a) Firing pin                 | 24 Trigger bar disconnecter<br>spring |
| b) Spring holder (2x)         | 25 Disassembly plate spring           |
| c) Firing pin case            | 26 Trigger safety spring              |
| d) Automatic safety           | 27 Magazine catch pin *               |
| e) Main spring                | 28 Trigger bar pin                    |
| f) Automatic safety spring    | 29 Trigger bar spring pin             |
| g) Automatic safety pin       | 30 Extractor pin                      |
| 4 Insert - front              | 31 Insert - rear coiled pin (2x)      |
| 5 Insert - rear               | 32 Insert - front coiled pin          |
| 6 Slide stop                  | 33 Interchangeable back strap<br>pin  |
| 7 Trigger bar                 | 34 Trigger safety pin                 |
| 8 Magazine catch *            | 35 Front insert pin                   |
| 9 Magazine catch plug *       | 36 Front sight screw *                |
| 10 Trigger bar disconnecter * | 37 Rear sight screw *                 |
| 11 Disassembly plate          | 38 Front sight *                      |
| 12 Extractor                  | 39 Magazine *                         |
| 13 Frame *                    | 40 Cover with screws *                |
| 14 a) Back strap "S"          | 41 -                                  |
| b) Back strap "M"             | 42 -                                  |
| c) Back strap "L"             | 43 -                                  |
| 15 Trigger                    | 44 Thread guard *                     |
| 16 Trigger safety             | 45 -                                  |
| 17 Slide cover                | 46 Rear sight                         |
| 18 Disassembly plate retainer |                                       |
| 19 Recoil spring *            |                                       |
| 20 Extractor spring           |                                       |

The parts marked \* differ according to versions, or as case may be in some versions are entirely missing.

### **LIST OF ILLUSTRATIONS**

1. The names of basic parts
2. Removal of the magazine
3. Magazine loading
4. Pistol loading
5. Releasing the slide from "fire readiness" by pressing the slide stop
6. Replacement of the back strap
7. Setting the slide into disassembly position
8. Pushing the disassembly plate
9. Removing the slide

The Company, reserves the right to make any changes it thinks necessary to improve its models or to meet any requirements of manufacturing or commercial nature.



**Antes de manipular con la pistola, lea cuidadosamente este manual y observe especialmente las siguientes instrucciones de seguridad.**

Un manejo incorrecto y descuidado de la pistola podría producir un disparo no intencionado causando lesiones corporales, muerte o daños a la propiedad. Las mismas consecuencias pueden tener modificaciones no autorizadas, corrosión o uso de una munición no prescrita o averiada. El fabricante no se hará responsable por las consecuencias originadas en estos casos. Antes de abandonar la fábrica, la pistola fue probada, revisada cuidadosamente y empaquetada. CZ no puede controlar la manipulación del producto una vez que el mismo abandone la fábrica. Por esta razón, al comprar esta pistola verifique que la misma esté descargada y sin averías.

Este Manual de Instrucciones deberá siempre acompañar la pistola, incluso cuando el arma fuese prestada o vendida.

## CONTENIDO

|  |    |
|--|----|
| INSTRUCCIONES DE SEGURIDAD               | 17 |
| TERMINOLOGÍA Y DESCRIPCIÓN DE LA PISTOLA | 19 |
| Elementos de seguridad de la pistola     | 21 |
| INSTRUCCIONES DE USO                     | 22 |
| Munición                                 | 22 |
| Cómo sacar el cargador                   | 22 |
| Cómo llenar el cargador                  | 22 |
| Cómo cargar la pistola                   | 23 |
| Recarga durante el tiro                  | 23 |
| Cómo descargar la pistola                | 23 |
| Ajuste de miras                          | 23 |
| Cambio de lomos de la empuñadura         | 24 |
| Instalación del visor                    | 24 |
| INSTRUCCIONES DE MANTENIMIENTO           | 25 |
| Desmontaje del arma para la limpieza     | 25 |
| Desmontaje del cargador                  | 25 |
| Limpieza de la pistola                   | 26 |
| Limpieza del silenciador                 | 26 |
| Limpieza del ánima y la recámara         | 26 |
| Limpieza de otras partes de la pistola   | 26 |
| Conservación                             | 27 |
| Tratamiento de los residuos              | 27 |
| ELIMINACIÓN DE FALLAS FUNCIONALES        | 28 |
| LISTA DE COMPONENTES                     | 30 |
| LISTA DE GRÁFICOS                        | 31 |

### INSTRUCCIONES DE SEGURIDAD

Mantenga siempre las instrucciones de seguridad para su seguridad personal y la de los demás.

1. Manipule siempre con su pistola como si fuese cargada.
2. No apunte nunca a ningún objeto, si no tenga la intención de disparar.
3. No confíe a nadie que la pistola esté descargada.
4. Antes de dejar de utilizar la pistola o entregarla a otra persona, verifique siempre que esté descargada.
5. Guarde la pistola descargada.
6. No utilice nunca la pistola con otros fines que para disparar.
7. Nunca deje sin vigilancia una pistola cargada.
8. Antes de cargar el arma, asegúrese que el ánima del cañón, la recámara y la corredera estén limpios y sin obstrucciones. Limpie la pistola después del disparo tan pronto sea posible.
9. No dispare del arma sin conocer la munición que está usando. No utilice una munición sin marcación, recargada manualmente; una munición con casquillo rajado, deformado o abollado, o una bala con signos de avería. La recarga es una actividad especializada y una munición recargada de forma incorrecta (con fallas) puede ser extremadamente peligrosa, con el eventual daño/destrucción grave del arma y lesiones de gravedad o la muerte del tirador y otras personas. Utilice siempre una munición limpia, seca y de fabricación original, de alta calidad y en un buen estado, correspondiente al calibre de su pistola.
10. Nunca tome bebidas alcohólicas o utilice estupefacientes antes o durante el disparo.
11. Utilice protectores de oídos y gafas de tiro protectoras durante el tiro.
12. Mantenga libre la ventanilla de expulsión e impida que alguien se coloque en la dirección de la cartuchera expulsada.
13. No presionar el disparador y no introducir los dedos en el guardamonte del disparador, a no ser, que esté apuntando al blanco y preparado para disparar.
14. Antes de presionar el disparador, vuelva a controlar su objetivo y el espacio posterior del mismo. La bala puede atravesar el objetivo o desviarse fuera del mismo y pasar una distancia de varios cientos de metros.
15. Nunca dispare a una superficie dura, como una piedra, o la del agua por ejemplo.
16. No dispare nunca cerca de un animal que no esté entrenado para este tipo de ruido.

17. Al manipular con la pistola, evite todo tipo de "bromas".
18. Falla del disparo: En el caso de no producirse el disparo, mantenga el arma apuntando hacia el blanco de disparar o hacia un espacio seguro y espere treinta segundos. En el caso de producirse una ignición atrasada, el cartucho disparará en treinta segundos. Si no se produciría el disparo, retire el cartucho del cañón y revíselo. Si la huella del percutor en el cartucho es débil o falta, antes de realizar el siguiente disparo deje revisar la pistola por un armero calificado.
19. Asegúrese siempre que la pistola no este cargada cuando vaya a limpiarla, almacenarla o transportarla. La munición no disparada retire del arma y guarde con seguridad en conformidad con los reglamentos legislativos.
20. Guarde siempre la munición y la pistola en depósitos seguros y bajo llave, fuera del alcance y la vista de los niños o gente no autorizada. Proteja la munición siempre del contacto con fuentes de calor y el fuego abierto.
21. Nunca altere ninguna parte de la pistola, podría comprometer de una manera grave el correcto funcionamiento de la pistola o su seguridad.
22. Tenga en cuenta que la corrosión, el uso de munición dañada, el roce del arma con superficies duras u otros rudos movimientos podrían causar daños a la pistola, que no necesariamente se puedan percibir a simple vista. Si algo como esto ocurriera, entregue el arma a un especialista para ser examinada y probada.

### TERMINOLOGÍA Y DESCRIPCIÓN DE LA PISTOLA

La denominación de las partes principales de la pistola utilizada en este Manual está indicada en el gráfico No. 1 en la parte interior de la tapa del libro. La denominación de todos los componentes de la pistola está indicada en el capítulo *Lista de componentes*.

La pistola CZ P-10 es un arma de fuego de mano con un retroceso corto del cañón, destinada para un disparo dirigido a la distancia de 50 metros. Tiene el sistema de corredera cerrado. Está provista con un mecanismo de disparo de simple acción con el pretensado, el percutor lanzado está bloqueado mediante un seguro interno (automático). El armazón de la pistola es de Polímero. Entre las características de la pistola destacan:

- buen agarre en ambas manos
- buenos resultados durante el tiro instintivo (sin apuntar)
- baja resistencia del disparador
- alta precisión del tiro
- larga vida útil
- alta confiabilidad también utilizando varios tipos de balas
- miras adaptadas también para apuntar con baja visibilidad
- después de disparar el último cartucho la cerradura queda abierta
- apropiada para el porte diario como un arma de servicio
- la pistola está equipada de manera estándar con un retén del cargador ambidiestro/giratorio al igual que el de la corredera
- de sujeción, para sujetar accesorios especiales
- opción de aumentar la capacidad del cargador mediante un reemplazo fácil del fondo del cargador

Las pistolas CZ P-10 Optics Ready están ajustadas en la fábrica para permitir un montaje fácil y altamente estable de modernos visores holográficos compactos de un amplio abanico de marcas probadas (por ejemplo, Trijicon, Vortex, Meopta, Leupold). Las principales ventajas de CZ Optics Ready (en adelante sólo OR) son las siguientes:

- Extraordinaria robustez, solidez y resistencia de los montajes
- Baja altura de la construcción
- Fácil ajuste del visor aun a mayores distancias
- Posibilidad de utilizar miras mecánicas más altas co-witness en el caso de cualquier falla de la óptica (en CZ P-10 C OR en la versión estándar)

- Compatible con un gran número de visores probados (la óptica no forma parte del embalaje)
- Diseño adaptado al concepto de forma de las pistolas originales CZ

Las pistolas CZ P-10 Suppressor Ready son pistolas ajustadas en la fábrica para un montaje fácil de silenciadores (por ejemplo, del fabricante G.I.S.). Las principales ventajas de las pistolas CZ Suppressor Ready (en adelante sólo SR) son las siguientes:

- Montaje simple del silenciador realizado por el usuario
- Intefaz de montaje 1/2" x 28 UNEF – 3A
- Posibilidad de ajustar el tiro con un silenciador recomendado
- Desmontaje fácil para la limpieza
- Miras altas en la versión de la pistola SR directamente de la producción

Las pistolas CZ P-10 Optics & Suppressor Ready son ajustadas en la fábrica para permitir un acoplamiento fácil y altamente estable de modernos visores compactos combinando con el montaje de silenciadores. La compañía Česká zbrojovka a.s. recomienda utilizar en las pistolas de la familia CZ P-10 el silenciador del fabricante checo G.I.S. que cuenta con un dispositivo de impulso y está probado con regularidad.

Advertencia: El uso de un silenciador somete a la estructura del arma a un mayor esfuerzo y exige un nivel más alto a la munición utilizada. Las siguientes recomendaciones se hacen para garantizar y dotar de la máxima eficacia y fiabilidad de las armas automáticas cuando utilizan silenciadores en combinación con un visor instalado

Para un funcionamiento correcto de la pistola CZ P-10 Optics & Suppressor Ready cuando esta utiliza un silenciador combinado con un visor instalado, el fabricante recomienda lo siguiente:

- Utilizar munición subsónica de fabricación original del calibre 9x19 con el peso de la bala de 150 o 158 grains (con la velocidad de boca estándar de la munición subsónica del calibre específico)
- En la interfaz OR de la corredera instalar visores con un peso máximo de 35 g
- Comprobar el ajuste del silenciador en la rosca del cañón después de disparar máximo 2 cargadores completos
- Comprobar el ajuste total del conjunto del silenciador según las indicaciones reflejadas en el manual de uso
- Utilizar un silenciador compacto para la pistola CZ P-10 C, en la SC y F es posible utilizar también un silenciador de un tamaño estándar

- Si no está instalado un silenciador, hay que cubrir siempre la rosca y la boca del cañón con un tapón protector
- Realizar la limpieza y lubricación en los intervalos determinado según la recomendación del fabricante, véase el manual de instrucciones del silenciador.
- En el caso de utilizar la pistola sólo para el tiro con un silenciador y visor instalados, realice el cambio preventivo del conjunto de muelle de recuperación después de disparar 2 000 tiros

### Notas explicativas:

#### *SA con pretensado (Single Action)*

La función simple del mecanismo de disparo con pretensado. Antes de efectuar el disparo, el mecanismo percutor con aguja percutora lanzada está medio tensado, después de apretar el disparador sigue tensado y luego se libera. Después de cada disparo hay que soltar brevemente el disparador.

### **Elementos de seguridad de la pistola**

#### *Guardamonte*

Impide un apretamiento accidental del disparador, por ejemplo durante una caída de la pistola.

#### *Seguro de caída*

Minimiza el riesgo de un disparo no intencionado en caso de un manejo inapropiado con el arma, ante todo en caso de una caída de la pistola cargada, cuando existe el riesgo de un disparo por la inercia del percutor.

#### *Seguro del disparador*

Impide un movimiento no intencionado del disparador. Antes de desactivar el seguro del disparador no es posible apretar el disparador y ejecutar el disparo.

#### *Bloqueo del percutor*

Impide el movimiento del percutor si no está apretado el disparador.

## INSTRUCCIONES DE USO

### Munición

Utilice siempre una munición de tipo de fabricación autorizada que cumple las normas establecidas para el productor de munición y es aprobada por la organización CIP (Organización internacional para pruebas de armas de fuego manuales y la munición) o SAAMI (una norma norteamericana para armas y munición). El uso de otro tipo de cartuchos podría causar daños en el arma y heridas al tirador. En caso de usar una munición de fabricación industrial con una velocidad estándar el uso de armas de Česká zbrojovka a.s. es seguro. Compruebe la munición que va a utilizar para tener la seguridad que la misma corresponde al calibre de su arma. La munición de fabricación comercial dispone de una demarcación clara del calibre en el fondo, eventualmente en la proximidad del fondo de casquillo. El fabricante no recomienda a disparar el arma en vacío (sin cartuchos). Para el entrenamiento sin disparar cartuchos de fuego real utilice los que son específicos para ese uso. Se recomienda utilizar munición subsónica para su uso con un silenciador, de lo contrario la vida útil del silenciador se acorta.

### Cómo sacar el cargador

La pistola esta provista de un retén del cargador ambidiestro/giratorio. Sujete la pistola con la mano derecha (izquierda), presione con el dedo pulgar (dedo medio) el retén del cargador (dib. 2). El cargador se afloja y sale del armazón.

### Cómo llenar el cargador

Sujete el cargador en la mano con la boca hacia arriba. Coloque un cartucho a la parte delantera del aportador y presiónelo hacia abajo y para atrás, hasta que tope el lado posterior del cargador (dib. 3). Coloque el siguiente cartucho sobre el otro e introduzca de la misma manera. En caso, que ya se encuentran varios cartuchos en el cargador, es conveniente presionar un poco con el dedo pulgar la fila de cartuchos.

El número de cartuchos en el cargador se puede comprobar a través de los agujeros de inspección. No intente a extender la capacidad del cargador - ya que esto podría causar un acceso defectuoso del primer cartucho a la recámara.

### **Cómo cargar la pistola**

¡AL CARGAR LA PISTOLA APUNTE SIEMPRE HACIA UN ESPACIO SEGURO!

Introduzca el cargador lleno a la pistola y verifique que permanezca retenido por el retén del cargador.

Al introducir fuertemente el cargador que no está diseñado por el fabricante para el habitáculo, puede reducirse la vida útil del expulsor de cartuchos.

Sujete la pistola con una mano por la empuñadura y con los dedos pulgar e índice de la otra mano agarre la parte ranurada de la corredera. Tire de la corredera en la dirección hacia atrás hasta el tope y suéltela (dib. 4). Durante este procedimiento se pretensa el mecanismo de disparador y de percusión y el cartucho se introduce en la recámara. Ahora, la pistola está lista para disparar.

### **Recarga durante el tiro**

Después de disparar el último cartucho, la corredera permanecerá en la posición posterior. Saque el cargador vacío e introduzca uno lleno. Con la mano que dispara presione el retén de la corredera en la dirección hacia abajo (dib. 5) o con la otra mano hale la corredera hacia atrás y suéltela. La pistola está nuevamente cargada y lista para disparar.

### **Cómo descargar la pistola**

¡APUNTE HACIA UN ESPACIO SEGURO!

- Retire el cargador
- Tire hacia atrás de la corredera y verifique que la recámara se encuentra vacía
- Suelte la corredera con energía hacia adelante
- Apriete el disparador (tiro de seguridad dirigido hacia un espacio seguro)

### **Ajuste de miras**

La mira de la pistola fue ajustada en la fábrica para una distancia de 15m (CZ P-10 F para una distancia de 25m) de tal forma, que el punto central del impacto esté en línea aproximadamente con el punto de mira. Es posible realizar la corrección lateral desplazando el alza en la cola de milano y asegurándola con un tornillo. La corrección de la elevación se realiza cambiando el punto de mira por uno más alto o más bajo y luego asegurando con un tornillo. El ajuste de tiro del silenciador se realiza de acuerdo con el manual de instrucciones del silenciador.



### **Cambio de lomos de la empuñadura**

Cada pistola viene provista de un set de lomos intercambiables que facilitan la adaptación de tamaño de la parte trasera de la empuñadura según las necesidades individuales del usuario. Para cambiar un lomo por otro hay que extraer el pasador de la parte trasera de la empuñadura (dib. 6). Después de cambiar el lomo de la empuñadura se recomienda utilizar un pasador en espiral nuevo.

### **Instalación del visor**

Para instalar la placa situada debajo del visor se recomienda utilizar un fijador de roscas (por ejemplo, Loctite 243) y apretar los tornillos a 1,3 Nm. Después de aplicar el adhesivo, hay que dejar secar según las instrucciones del fabricante.

Al instalar el visor, siga las instrucciones del fabricante.

## INSTRUCCIONES DE MANTENIMIENTO

### Desmontaje del arma para la limpieza

¡APUNTAR HACIA UN ESPACIO SEGURO!

1. Retire el cargador. ¡No es posible desmontar una pistola con el cargador adentro!
2. ¡ASEGÚRESE QUE NO HAYA NINGÚN CARTUCHO EN LA RECÁMARA!
3. Presione el disparador y compruebe que el mismo permanezca en la posición trasera.
4. Agarre el armazón en la palma de una mano y con los dedos de la misma mano agarre la parte trasera de la corredera. Desplace la corredera con los dedos máx. 5mm hacia atrás (dib. 7)
5. Con los dedos de la otra mano, al mismo tiempo de ambos lados, presione los apoyadedos de la placa de desmontaje en la dirección hacia abajo, hasta el tope (dib. 8).
6. Afloje los dedos que sostienen la corredera y quítela del armazón (dib. 9).
7. Saque de la corredera el resorte recuperador y por último el cañón.

#### Nota:

Antes de volver a montar la corredera en el marco es necesario ajustar el disparador en la posición trasera (presionada) para evitar una colisión de la corredera con el tetón en la palanca de disparador.

Este tipo de desmontaje es suficiente para un mantenimiento rutinario. Después de disparar una mayor cantidad de cartuchos desmonte también el percutor y el cargador y entregue la pistola a un armero para limpiar el percutor.

### Desmontaje del cargador

Depende del diseño del cargador. Si hay un agujero en el fondo del cargador, presione a través del agujero el trinquete del fondo y desplace el fondo del cargador un poco hacia adelante. Si el cargador posee un trinquete desplazable del fondo en la parte trasera, desplace el trinquete a la posición de desmontaje y, a continuación, desplace el fondo del cargador un poco hacia adelante. Sucesivamente coloque el dedo pulgar encima del fondo para sostener el resorte y con la otra mano saque el fondo de las ranuras guía por completo. Tenga mucho cuidado, que durante este desmontaje no se produzcan heridas por el muelle lanzado.

#### ATENCIÓN:

No desmonte ningunas otras partes de la pistola. Si está convencido que su pistola necesita algún ajuste o reparación, asegúrese de encomendar esta tarea a un taller especializado!

### **Limpieza de la pistola**

Limpie la pistola

- Después de cada uso
- Siempre después que entre en contacto con humedad
- Lo más antes posible después del disparo
- Por lo menos una vez al año en climas templados
- En condiciones climáticas exigentes por lo menos una vez al mes

### **Limpieza del silenciador**

Limpie el silenciador según su manual de instrucciones.

### **Limpieza del ánima y la recámara**

En caso que no se haya disparado de la pistola o si solamente se han disparado pocos cartuchos, limpie el ánima y la recámara con un pedazo de tela seca colocado en un extremo de una baqueta. Cambie los trapitos tantas veces, hasta que el último pedazo sea limpio.

Cuando el ánima se encuentre muy sucia, aplique en ella y en la recámara una solución limpiadora, deje actuar aproximadamente 10 minutos (el tiempo de actuación puede variar de acuerdo con el tipo del producto de limpieza) y limpie con un cepillo. Seque el ánima y la recámara con un pedazo de tela limpio y verifique, si se eliminaron todos los residuos. Repita el procedimiento en caso de necesidad.

Introduzca la baqueta y el cepillo en el cañón a través de la recámara para evitar que la boca del cañón se desgaste o dañe. Pase el cepillo por todo el largo del cañón antes de invertir el movimiento. Si trata de cambiar de dirección con el cepillo dentro del cañón, el cepillo podría atascarse.

### **Limpieza de otras partes de la pistola**

Las otras partes del arma (incluyendo las superficies externas del cañón) deben limpiarse con una tela seca, un cepillo de dientes viejo, un cepillo de cerdas de bronce o un raspador de madera. Durante la limpieza se puede utilizar también un aceite de preservación o querosene. Sin embargo, no emplee nunca la solución determinada para la limpieza del ánima del cañón! Estas soluciones podrían permanecer en las hendiduras de los componentes y con el tiempo causar corrosión.

Comprobar que ningún trozo de tela o alguna cerda de cepillo hayan quedado alojados en alguna parte de la pistola.

Atención: Al quitar los pasadores en espiral del bloque delantero y trasero es recomendable siempre sustituirlos por unos nuevos.

### **Conservación**

Una vez que el ánima del cañón, la recámara y todas las partes accesibles estén limpias y secas, frótelas con un paño remojado en aceite de preservación o aplique dicho aceite mediante un rociador. Retire luego el exceso de aceite.

Antes de disparar, seque completamente el ánima del cañón. Si utiliza la pistola en temperaturas muy bajas, retire el aceite de todas las partes accesibles y aplique un lubricante especial determinado para estas condiciones climáticas.

La grasa preservante utilice únicamente en el caso de un almacenaje de larga duración en condiciones climáticas extremas. Antes de usar la pistola, retíre dicha grasa por completo.

### **Tratamiento de los residuos**

Si son manejados de manera correcta, el material, los envases y los embalajes del producto no tienen ninguna incidencia negativa ni sobre la salud humana ni sobre el medio ambiente. Si necesita deshacerse del producto o su embalaje, los componentes metálicos (acero, metales de color), los plásticos, la madera y el papel-cartón tienen que ser depositados selectivamente en los contenedores destinados para estos materiales y se eliminan de acuerdo con la normativa local/regional/nacional/internacional.

### ELIMINACIÓN DE FALLAS FUNCIONALES

Con un uso y mantenimiento correcto hay muy poca probabilidad que se produzca una avería. En caso de producirse tal situación, diríjase con las siguientes instrucciones.

**ATENCIÓN** - En caso que se produzca una falla durante el disparo, aumenta notablemente la probabilidad de un disparo no intencionado. Por esta razón, durante la eliminación de la falla mantenga al pie de letra las instrucciones de seguridad indicadas más arriba. Apunte siempre hacia un espacio seguro, no dé la vuelta a la pistola enfrente suyo ni frente a otras personas, no coloque las manos delante de la boca del cañón!

Si utiliza la pistola solamente para su protección personal o con fines de servicio, consiga tan llamados cartuchos de escuela y entrene una eliminación rápida de fallas abajo descritas.

| Falla  | Causa probable  | Forma de eliminarla  |
|--|---|--|
| El cartucho no entra en la recámara o no ajusta la cerradura | El cargador no está encajado suficientemente o se encuentra averiado.<br>El arma o los cartuchos están sucios o excesivamente lubricados.         | Introduzca correctamente el cargador o utilice uno nuevo.<br><br>Limpie el arma y los cartuchos, eventualmente lubrique suavemente.  |
| Fallos al disparar   | Cartucho defectuoso.<br><br>El agujero del percutor se encuentra sucio o se utilizó un lubricante inadecuado bajo temperaturas ambientales bajas. | Si no se produzca el disparo prosiga según el punto 18 de las Instrucciones de seguridad.<br><br>Desmonte y limpie el percutor, eventualmente utilice un lubricante para temperaturas bajas. |
| El disparo suena "débil", la cartuchera no fue expulsada     | El fulminante se activó, pero no hubo pólvora en la cartuchera.   | Descargue el arma y compruebe que la bala no ha quedado atascada en el cañón. Un siguiente disparo eventual podría ocasionar serios daños al cañón!  |

## MANUAL DE INSTRUCCIONES

|                               |   |  |
|-------------------------------|---|--|
| La vaina no ha sido expulsada | La recámara, el extractor o la munición sucios, eventualmente el uso de un lubricante inadecuado para temperaturas bajas. | Limpie y seque la pistola, eventualmente lubríquela con un lubricante adecuado. Utilice munición nueva y limpia. |
|-------------------------------|---|--|

Si no es posible reparar la falla según las instrucciones arriba descritas o en caso que el arma esté dañada por un mal trato o una caída, hay que entregarla para una revisión y reparación en un taller especializado.

Nota: Los fallos de funcionamiento del silenciador durante su uso y las formas de eliminarlas se indican en el manual de instrucciones del silenciador.

### LISTA DE COMPONENTES

- |  |  |
|--|--|
| 1 Corredera *                                | 23 Resorte del retén del cargador *                    |
| 2 Cañón *                                    | 24 Resorte del interruptor de la palanca de disparador |
| 3 Percutor (completo)                        | 25 Resorte de la placa de desmontaje                   |
| a) Percutor                                  | 26 Resorte del seguro del disparador                   |
| b) Sujetador del resorte (2x)                | 27 Pasador del retén del cargador *                    |
| c) Contenedor del percutor                   | 28 Perno de la palanca de disparador                   |
| d) Seguro automático                         | 29 Pasador del perno de la palanca de disparador       |
| e) Muelle de percusión                       | 30 Perno del extractor                                 |
| f) Resorte del seguro automático             | 31 Pasador enrollado del bloque trasero (2x)           |
| g) Perno del seguro automático               | 32 Pasador enrollado del bloque delantero              |
| 4 Bloque delantero                           | 33 Pasador del lomo                                    |
| 5 Bloque trasero                             | 34 Perno del seguro del disparador                     |
| 6 Retén de la corredera                      | 35 Perno del bloque delantero                          |
| 7 Palanca de disparador                      | 36 Tornillo del guión *                                |
| 8 Retén del cargador *                       | 37 Tornillo del alza *                                 |
| 9 Perno del retén del cargador *             | 38 Punto de mira *                                     |
| 10 Interruptor de la palanca de disparador * | 39 Cargador *  |
| 11 Placa de desmontaje                       | 40 Cubierta con tornillos *                            |
| 12 Extractor                                 | 41 -   |
| 13 Armazón *                                 | 42 -   |
| 14 a) Lomo "S"                               | 43 -   |
| b) Lomo "M"                                  | 44 Protector de la rosca *                             |
| c) Lomo "L"                                  | 45 -   |
| 15 Disparador                                | 46 Alza  |
| 16 Seguro del disparador                     |  |
| 17 Cubierta de la corredera                  |  |
| 18 Cubo de la placa de desmontaje            |  |
| 19 Muelle recuperador *                      |  |
| 20 Resorte del extractor                     |  |
| 21 Resorte del retén de la corredera         |  |
| 22 Resorte de la palanca de disparador (2x)  |  |

\* Los componentes marcados así varían en cada versión, eventualmente en algunas faltan por completo.

### LISTA DE GRÁFICOS

1. Denominación de los componentes básicos
2. Retiro del cargador
3. Alimentación del cargador
4. Cargando la pistola
5. Soltando la corredera de la "posición de alerta" presionando le retén de la corredera
6. Cambio del lomo de la empuñadura
7. Ajuste de la corredera en la posición de desmontaje
8. Apretamiento de la placa de desmontaje
9. Sacando la corredera

El productor se reserva el derecho de realizar cambios que podría considerar indispensables para mejorar sus modelos o para satisfacer los requerimientos de la producción o del comercio.



# NÁVOD NA POUŽITÍ

**Dříve než začnete zacházet s pistolí, seznamte se s tímto návodem a zvláště s následujícími bezpečnostními pokyny.**

Nesprávné a nedbalé zacházení s pistolí může způsobit neúmyslný výstřel, který může mít za následek zranění, smrt nebo škodu na majetku. Stejně následky mohou mít svévolné úpravy, koroze nebo používání nepředepsaných nebo poškozených nábojů. V těchto případech nemůže výrobce nést za vzniklé následky odpovědnost. Předtím, než byla tato pistole dána do prodeje, byla přezkoušena, pečlivě prohlédnuta a zabalena. CZ nemůže kontrolovat zacházení s pistolí potom, co opustí továrnu. Proto si při koupi této pistole ověřte, že je nenabitá a nepoškozená.

Tato příručka s instrukcemi by měla být vždy k pistolí přiložena a to i v případě, že pistolí někomu půjčíte nebo prodáte.

## OBSAH

|                                  |    |
|----------------------------------|----|
| BEZPEČNOSTNÍ POKYNY              | 33 |
| NÁZVOSLOVÍ A POPIS PISTOLE       | 34 |
| Bezpečnostní prvky pistole       | 36 |
| POKYNY PRO POUŽÍVÁNÍ             | 37 |
| Střelivo                         | 37 |
| Vyjmutí zásobníku                | 37 |
| Plnění zásobníku                 | 37 |
| Nabíjení pistole                 | 37 |
| Přebíjení během střelby          | 38 |
| Vybíjení pistole                 | 38 |
| Nastavení mířidel                | 38 |
| Výměna hřbetu rukojeti           | 38 |
| Montáž kolimátoru                | 38 |
| POKYNY PRO ÚDRŽBU                | 39 |
| Rozborka pro čištění             | 39 |
| Demontáž zásobníku               | 39 |
| Čištění pistole                  | 40 |
| Čištění tlumiče                  | 40 |
| Čištění vývrtu a nábojové komory | 40 |
| Čištění ostatních částí pistole  | 40 |
| Konzervace                       | 41 |
| Nakládání s odpady               | 41 |
| ODSTRAŇOVÁNÍ FUNKČNÍCH ZÁVAD     | 42 |
| SEZNAM SOUČÁSTEK                 | 44 |
| SEZNAM OBRÁZKŮ                   | 45 |

## BEZPEČNOSTNÍ POKYNY

Dbejte dodržování bezpečnostních pokynů pro bezpečnost vaši a bezpečnost ostatních.

1. Vždy zacházejte se svou pistolí, jako kdyby byla nabitá.
2. Nikdy svou pistolí nemířte na cokoliv, na co nemíníte střílet.
3. Nikomu nevěřte, že zbraň není nabitá.
4. Než pistolí odložíte nebo předáte jiné osobě, vždy se přesvědčte, že není nabitá.
5. Pistolí přechovávejte nenabitou.
6. Nikdy nepoužívejte pistolí k jinému účelu než ke střelbě.
7. Nabitou pistolí nikdy nenechávejte bez dozoru.
8. Před nabitím zbraně se přesvědčte, že vývrt hlavně, komora a závěr jsou čisté a bez překážek. Pistolí znečištěnou od střelby co nejdříve vyčistěte.
9. Nestřílejte ze zbraně, pokud si nejste jisti střelivem, které používáte. Nepoužívejte neoznačené nebo ručně přebíjené střelivo neznámého původu, střelivo s naprasklou, deformovanou nebo promáčknutou nábojnicí nebo střelou vykazující známky poškození. Přebíjení je odborná činnost a nesprávně (chybně) přebíjené střelivo může být extrémně nebezpečné. Výsledkem může být těžké poškození/zničení zbraně a vážná zranění či smrt střelce i dalších osob. Používejte pouze čisté, suché, originální - továrně vyrobené střelivo vysoké kvality, v dobrém stavu, příslušné pro ráži vaši pistole.
10. Před střelbou ani během střelby nepijte alkoholické nápoje a neužívejte drogy.
11. Pokud je to možné, používejte při střelbě chrániče sluchu a ochranné střelecké brýle.
12. Neblokujte výhozná okénka a dbejte na to, aby nikdo nepřekážel ve směru vyhozené nábojnice.
13. Nemačkejte spoušť ani nedávejte prsty do lučičku spouště, pokud nemířte na cíl a nejste připraveni střílet.
14. Než stisknete spoušť, ještě jednou si zkontrolujte váš cíl a prostor za ním. Střela může letět skrze nebo mimo váš cíl ještě několik stovek metrů.
15. Nikdy nestřílejte na vodní hladinu nebo na tvrdý povrch, jako je kámen.
16. Nestřílejte z pistole poblíž zvířete, pokud není na tento hluk vycvičeno.
17. Pokud držíte pistolí, nikdy se neoddávejte "hrubým žertům".
18. Selhání výstřelu: V případě, že nedojde k výstřelu, držte zbraň namířenou na cíl nebo do bezpečného prostoru a počkejte třicet sekund. Pokud nastal

## NÁVOD NA POUŽITÍ

---

zpožděný zápal, náboj do třiceti sekund vystřelí. Jestliže k výstřelu nedojde, vyjměte náboj z hlavně a prohlédněte jej. Je-li otisk od zápalníku na náboji slabý nebo žádný, nechte před další střelbou zbraň prohlédnout kvalifikovaným zbrojířem.

19. Před čistěním, skladováním nebo dopravou se vždy přesvědčte, že vaše pistole není nabita. Nevystřelené střelivo vyjměte ze zbraně a bezpečně uložte v souladu se zákonnými předpisy.
20. Pistoli a střelivo přechovávejte v odděleném a uzamčeném prostoru mimo dosah a dohled dětí a nepovolaných osob. Vždy chraňte střelivo před zdrojem tepla a otevřeným ohněm.
21. Nikdy neupravujte součástky pistole. Můžete tak závažným způsobem narušit správnou funkci pistole nebo její bezpečnost.
22. Pamatujte, že koroze, použití vadných nábojů, pád pistole na tvrdý povrch nebo jiné "hrubé zacházení" může způsobit poškození, které nemusí být na první pohled patrné. Pokud k něčemu takovému dojde, nechte pistoli prověřit u odborníka.

### NÁZVOSLOVÍ A POPIS PISTOLE

Názvy základních částí pistole používané v tomto návodu jsou uvedeny na obrázku 1 na vnitřní straně obálky. Názvy všech součástek pistole jsou uvedeny v kapitole *Seznam součástek*.

Pistole CZ P-10 je samonabíjecí ruční palná zbraň s krátkým zákluzem hlavně, určená pro mířenou střelbu do dálky 50 metrů. Má uzamčený závěrový systém. Je vybavena jednočinným spoušťovým mechanismem s předepnutím, přímoběžný zápalník je blokován vnitřní (automatickou) pojistkou. Rám pistole je plastový. Mezi charakteristické vlastnosti pistole patří:

- dobré držení v každé ruce
- dobré výsledky při pudové střelbě (bez míření)
- nízký odpor spouště
- vysoká přesnost střelby
- vysoká životnost
- vysoká spolehlivost i při použití různých typů střel
- mířidla jsou uzpůsobena i pro míření za snížené viditelnosti
- po vystřelení posledního náboje zůstane závěr otevřený
- vhodnost pro každodenní nošení jako služební zbraň

## NÁVOD NA POUŽITÍ

---

- pistole je standardně vybavena oboustrannou/otočitelnou zádržkou zásobníku a oboustranným záchytem závěru
- rám je v přední části opatřen upínacími drážkami pro připevnění zvláštního příslušenství
- možnost zvýšení kapacity zásobníku pomocí snadné výměny dna zásobníku

Pistole CZ P-10 Optics Ready jsou továrně upravené zbraně pro snadnou a vysoce stabilní montáž moderních kompaktních kolimátorů (např. Trijicon, Shield, Aimpoint atp.). K hlavním výhodám pistolí CZ Optics Ready (dále jen OR) patří:

- mimořádná robustnost, pevnost a odolnost montáží
- nízká stavební výška
- snadné nastřelení kolimátoru i na větší vzdálenosti
- možnost použití zvýšených co-witness mechanických mířidel v případě jakéhokoliv selhání optiky (u CZ P-10 C OR ve standardním provedení)
- kompatibilita s velkým počtem osvědčených kolimátorů (optika není součástí balení)
- design sladěný s tvarovým řešením výchozích pistolí CZ

Pistole CZ P-10 Suppressor Ready jsou továrně upravené zbraně pro snadnou montáž tlumičů hluku výstřelu (např. výrobce G.I.S.). K hlavním výhodám pistolí CZ Suppressor Ready (dále jen SR) patří:

- jednoduchost uživatelské montáže tlumiče
- připojovací rozhraní 1/2" x 28 UNEF – 3A
- možnost rektifikace nástřelu doporučeného tlumiče
- snadná demontáž pro čištění
- vysoká mířidla u SR provedení pistole přímo z výroby

Pistole CZ P-10 Optics & Suppressor Ready jsou továrně upravené zbraně pro snadnou a vysoce stabilní montáž moderních kompaktních kolimátorů v kombinaci s montáží tlumičů hluku výstřelu. Společnost Česká zbrojovka a.s. doporučuje pro použití u pistolí rodiny CZ

P-10 tlumič hluku výstřelu českého výrobce G.I.S. s impulzním zařízením, který byl opakovaně testován.

**Upozornění:** Použití tlumiče zatěžuje konstrukci zbraně a klade vyšší nároky na použité střílivo. Níže uvedená doporučení jsou stanovena tak, aby byla zajištěna maximální možná míra spolehlivosti samonabíjecích zbraní při jejich použití s tlumiči hluku v kombinaci s nainstalovaným kolimátorem.

## NÁVOD NA POUŽITÍ

---

Pro správnou funkci pistole CZ P-10 Optics & Suppressor Ready při použití s tlumičem hluku v kombinaci s nainstalovaným kolimátorem výrobce doporučuje:

- používat subsonické střelivo tovární výroby ráže 9x19 o hmotnosti střely 150 nebo 158 gr (o standardních ústových rychlostech subsonického střeliva dané ráže)
- na OR rozhraní závěru instalovat kolimátory s hmotností do max. 35 g
- kontrolovat dotažení tlumiče na závitu hlavně po odstřílení max. 2 plných zásobníků
- kontrolovat celkové dotažení sestavy tlumiče dle návodu k obsluze tlumiče
- používat tlumič kompaktní velikosti pro pistolí CZ P-10 C, u SC a F je možno použít také tlumič standardní velikosti
- pokud není nainstalován tlumič, vždy zakrýt závit a ústí hlavně krytkou závitu
- provádět čištění a mazání ve stanoveném intervalu dle doporučení výrobce, viz návod k obsluze tlumiče
- pokud je pistole používána pouze pro střelbu s instalovaným tlumičem a kolimátorem, provádět preventivní výměnu sestavy vratné pružiny po odstřílení 2.000 ran

### Vysvětlivky:

#### *SFSA s předepnutím*

Jednočinná funkce spoušťového mechanismu s předepnutím. Před výstřelem je bicí mechanismus s přímoběžným úderníkem částečně napnut, při stisku spouště se dále napíná a pak je uvolněn. Po každém výstřelu je potřeba krátce uvolnit spoušť.

### **Bezpečnostní prvky pistole**

#### *Lučák*

Zabraňuje nezamýšlenému stisknutí spouště, například při pádu pistole.

#### *Pádová pojistka*

Minimalizuje riziko nechtěného výstřelu při nevhodném zacházení se zbraní, zejména při pádu nabitě pistole, kdy hrozí riziko výstřelu vlivem setrvačnosti zápalníku.

#### *Pojistka spouště*

Zamezuje neúmyslnému pohybu spouště. Dokud není deaktivována pojistka spouště, nelze stisknout spoušť a provést výstřel.

#### *Blokování zápalníku*

Zabraňuje pohybu zápalníku, pokud není spoušť stisknuta.

## POKYNY PRO POUŽÍVÁNÍ

### Střelivo

Vždy používejte střelivo dovoleného výrobního provedení, které splňuje normy stanovené pro výrobce střeliva a je schváleno organizací CIP (Mezinárodní organizace pro zkoušení ručních palných zbraní a střeliva), případně SAAMI (americká norma pro zbraně a střelivo). Použití jiných nábojů může způsobit poškození zbraně nebo zranění střelce. Při použití továrního střeliva se standardní rychlostí je používání zbraní České zbrojovky a.s. bezpečné. Zkontrolujte střelivo, které hodláte použít, abyste měli jistotu, že odpovídá ráži vaší zbraně. Komerčně vyráběné střelivo má u každého náboje označení ráže jasně vyznačeno na dně, případně okolo dna nábojnice. Výrobce nedoporučuje ze zbraně střílet naprázdno (bez nábojů) neboť může docházet k nežádoucímu opotřebením zbraně. Pro tzv. „suchý trénink“ je vhodné používat atrapy náboje, které jsou k tomuto používání uzpůsobeny. Pro použití s tlumičem je doporučeno používat subsonické střelivo, jinak se zkracuje životnost tlumiče.

### Vyjmutí zásobníku

Pistole je opatřena oboustrannou/otočitelnou zádržkou zásobníku. Uchopte pistoli do pravé (levé) ruky, palcem (prostředníkem) stisknete zádržku zásobníku (obr. 2). Zásobník se uvolní a vypadne z rámu.

### Plnění zásobníku

Zásobník uchopte do ruky ústím nahoru. Položte náboj na přední část podavače a stlačte jej dolů a dozadu, až se dotkne zadní stěny zásobníku (obr. 3). Další náboj umístěte na předcházející a zasuňte stejným způsobem. Je-li v zásobníku již větší počet nábojů, je vhodné palcem ruky, která drží zásobník, poněkud stlačit sloupec nábojů.

Počet nábojů v zásobníku můžete sledovat kontrolními otvory. Nepokoušejte se překročit kapacitu zásobníku - mohlo by to způsobit vadné podání prvního náboje do komory.

### Nabíjení pistole

**PŘI NABÍJENÍ MĚJTE PISTOLI VŽDY ZAMÍŘENU DO BEZPEČNÉHO PROSTORU!**

Vsuňte plný zásobník do pistole a přesvědčte se, že je zachycen zádržkou zásobníku.

Velmi intenzivním dorážením zásobníku, který není výrobcem určen pro danou velikost rámu, může být snížena životnost vyhazovače nábojů.

Uchopte pistoli jednou rukou za rukojeť a palcem a ukazovákem druhé ruky uchopte drážkovanou část závěru. Závěr natáhněte směrem dozadu až na doraz a

## NÁVOD NA POUŽITÍ

---

vypustte (obr. 4). Přitom se předepne spoušťový a bicí mechanismus a do komory se zasune náboj. Nyní je pistole připravena ke střelbě.

### Přebíjení během střelby

Po vystřelení posledního náboje zůstane závěr v zadní poloze. Vyjměte prázdný zásobník a vsuňte naplněný. Střílející rukou stiskněte záchyt závěru směrem dolů (obr. 5), nebo druhou rukou natáhněte závěr dozadu a vypustte jej. Pistole je opět nabita a připravena ke střelbě.

### Vybíjení pistole

ZAMIŘTE DO BEZPEČNÉHO PROSTORU!

- vyjměte zásobník
- natáhněte závěr a přesvědčte se, že je nábojová komora prázdná
- energicky vypustte závěr dopředu
- stiskněte spoušť (mířená rána jistoty do bezpečného prostoru)

### Nastavení mířidel

Pistole byla ve výrobním podniku nastřelena na vzdálenost 15 m tak, že střední bod zásahu se přibližně shoduje se záměrným bodem. Stranovou korekci je možné provést posunutím hledí v rybinovité drážce a jeho zajištěním šroubkem. Výšková korekce se provádí výměnou mušky za vyšší nebo nižší a následným zajištěním šroubkem. Rektifikace nástřelu tlumiče se provádí v souladu s návodem k obsluze tlumiče.

### Výměna hřbetu rukojeti

Ke každé pistoli se dodává sada výměnných hřbetů, které umožňují přizpůsobení zadního tvaru rukojeti dle potřeby konkrétního uživatele. Výměna typu hřbetu za jiný se provádí po vyjmutí kolíku hřbetu (obr. 6). Po výměně hřbetu rukojeti je doporučeno použít nový svinutý kolík hřbetu.

### Montáž kolimátoru

Při montáži destičky pod kolimátor doporučujeme použít zajišťovač závitů (například Loctite 243) a šrouby dotáhnout utahovacím momentem 1,3 Nm. Po aplikaci je potřeba nechat použité lepidlo zaschnout dle pokynů výrobce.

Při montáži kolimátoru postupujte dle pokynů jeho výrobce.

## POKYNY PRO ÚDRŽBU

### Rozborka pro čištění

ZAMIŘTE DO BEZPEČNÉHO PROSTORU!

1. Vyjměte zásobník. Pistole se zasunutým zásobníkem je nerozebíratelná!
2. PŘESVĚDČTE SE, ŽE V NÁBOJOVÉ KOMOŘE NENÍ NÁBOJ!
3. Stiskněte spoušť a ujistěte se, že zůstala v zadní poloze.
4. Uchopte rám dlaní jedné ruky a prsty téže ruky shora zadní část závěru. Prsty posuňte závěr o max. 5 mm dozadu (obr. 7).
5. Prsty druhé ruky souběžně z obou stran zatlačte na hmatníky demontážní destičky směrem dolů, až na doraz (obr. 8).
6. Uvolněte prsty držící závěr a sejměte ho z rámu (obr. 9).
7. Ze závěru vyjměte vratnou pružinu a nakonec hlaveň.

#### Poznámka:

Před zpětnou montáží závěru na rám je nutné nastavit spoušť do zadní (stlačené) polohy, aby nedošlo ke kolizi závěru s výstupkem na spoušťové páce.

Potud provedená rozborka pro běžnou údržbu stačí. Po vystřelení velkého počtu nábojů demontujte rovněž zásobník a předejte pistoli zbrojíři k vyčištění zápalníku.

### Demontáž zásobníku

Liší se v závislosti na konstrukci zásobníku. Má-li zásobník otvor ve dně zásobníku, zatlačte skrz otvor na západku dna a povysuňte dno zásobníku mírně dopředu. Je-li zásobník v zadní části opatřen odsunovací západkou dna, přesuňte ji do demontážní polohy a následně dno zásobníku mírně povysuňte dopředu. Potom dejte nade dno palec, abyste jím přidrželi pružinu a druhou rukou zcela vysuňte dno z vodicích drážek. Při této demontáži buďte velmi opatrní, aby nedošlo ke zranění vymrštěnou pružinou.

UPOZORNĚNÍ: Žádné další díly pistole nedemontujte. Pokud se domníváte, že pistole vyžaduje seřízení nebo opravu, svěťte ji odborné dílně!



### Čistění pistole

Čistěte pistoli

- po každém použití
- po každém navlhnutí
- co nejdříve po střelbě
- v mírných klimatických podmínkách nejméně jednou za rok
- v náročných klimatických podmínkách nejméně jednou měsíčně

### Čistění tlumiče

Tlumič čistěte dle návodu k obsluze tlumiče.

### Čistění vývrtu a nábojové komory

Pokud nebylo z pistole stříleno nebo bylo vystřeleno jen několik nábojů, vytírejte vývrt a nábojovou komoru suchým hadříkem navlečeným do vytěraku. Hadříky vyměňujte tak dlouho, až bude poslední kousek čistý.

Pokud je vývrt silně znečištěn, naneste do něj a do komory kartáčkem čistící roztok, nechte asi 10 minut působit (doba působení se může u různých čistících prostředků lišit) a vyčistěte kartáčkem. Vysušte vývrt a komoru čistým hadříkem a zkontrolujte, zda byly všechny spaliny odstraněny. V případě potřeby postup opakujte.

Vytěrák i kartáček zasouvejte do hlavně od komory, abyste nepoškodili ústí hlavně. Kartáček protlačujte celou hlavní, než změňte směr pohybu. Pokud byste změnil směry pohybu s kartáčkem v hlavní, mohl by se kartáček v hlavní vzpříčit.

### Čistění ostatních částí pistole

Ostatní části pistole (včetně vnějších ploch hlavně) čistěte suchým hadříkem, starým kartáčkem na zuby, mosazným kartáčkem nebo dřevěnou škrabkou. Při čišťení můžete použít i konzervační olej nebo petrolej. Nikdy však nepoužívejte roztok určený pro čišťení vývrtu! Ten by mohl zůstat ve spárách mezi součástkami a po delší době způsobit korozi.

Přesvědčte se, že zbytky hadříku nebo štětiny z kartáčku neuvízly v žádné části pistole.

Upozornění: Při vyjmutí svinutých kolíků předního nebo zadního bloku je vždy doporučeno jejich nahrazení novými svinutými kolíky.

### Konzervace

Vývrt, nábojovou komoru a všechny přístupné součásti po vyčištění do sucha potřete hadříkem zvlhčeným v konzervačním oleji nebo použijte olej ve spreji. Přebytečný olej setřete.

Před střelbou vytřete vývrt do sucha. Používáte-li pistoli při nízkých teplotách, odstraňte olej ze všech přístupných částí nebo použijte speciální mazadlo určené pro tyto podmínky.

Konzervační vazelinu používejte jen pro dlouhodobé skladování v náročných klimatických podmínkách a před použitím pistole ji důkladně odstraňte.

### Nakládání s odpady

Materiály výrobku a obalu nemají při správném používání žádné negativní dopady na zdraví člověka ani životní prostředí. V případě nutnosti odstranění výrobku nebo jeho obalu platí, že kovové součásti (ocel a barevné kovy), plasty, dřevo, papír a lepenka se ukládají odděleně do sběrných nádob k tomu určených a likvidují se v souladu s místními / regionálními / národními / mezinárodními předpisy.

## NÁVOD NA POUŽITÍ

### ODSTRAŇOVÁNÍ FUNKČNÍCH ZÁVAD

Při správném používání a údržbě je pravděpodobnost vzniku závad minimální. Pokud tato situace přesto nastane, řiďte se následujícími pokyny.

**POZOR** - pokud vznikne při střelbě závada funkce, mimořádně se zvyšuje pravděpodobnost nechtěného výstřelu. Proto při odstraňování závady důsledně dodržujte dříve uvedené bezpečnostní pokyny. Mířte neustále do bezpečného prostoru, neotáčejte pistoli proti sobě ani proti jiným osobám, nedávejte ruce před ústí hlavně!

Jestliže svou pistoli používáte pro osobní ochranu nebo pro služební účely, obstarajte si tzv. "školní náboje" a nacvičte si rychlé odstraňování níže popsanych závad.

| Závada  | Pravděpodobná příčina  | Způsob odstranění  |
|---|--|--|
| Nepodání náboje do komory nebo nedovření závěru | Zásobník není dostatečně zasunut nebo je poškozený.<br>Zbraň nebo náboje jsou znečistěny nebo příliš silně namazány. | Zasuňte řádně zásobník nebo použijte jiný.<br>Vyčistěte zbraň a náboje do sucha, případně lehce namažte.   |
| Selhač  | Použitý náboj je vadný.<br>Znečistěný otvor pro zápalník nebo nevhodné mazadlo při nízké okolní teplotě.             | Pokud nedojde k výstřelu, postupujte podle bodu 18 bezpečnostních pokynů.<br>Demontujte a vyčistěte zápalník, případně použijte mazadlo pro nízké teploty. |
| "Slabá rána" spojená s nevyhozením nábojnice    | Zápalka byla aktivována, ale v nábojnici nebyl prach.  | Vybijte zbraň a přesvědčte se, zda střela neuvízla v hlavni. Případný další výstřel by mohl vážně poškodit hlavěň!   |
| Nevyhození                                      | Znečistěná nábojová komora, vytahovač nebo střelivo, případně použití nevhodného mazadla při nízké teplotě.          | Vyčistěte pistoli do sucha, případně lehce namažte vhodným mazadlem. Používejte nové čisté střelivo.   |

## NÁVOD NA POUŽITÍ

---

Pokud nelze závadu odstranit žádným z výše uvedených způsobů, respektive zbraň utrpí poškození vlivem hrubého zacházení nebo pádu, svěťte ji k prohlídce a opravě odborné dílně.

Pozn. Funkční závady při použití tlumiče a způsoby jejich odstranění jsou popsány v návodu k obsluze tlumiče.

## NÁVOD NA POUŽITÍ

---

### SEZNAM SOUČÁSTEK

- |                                 |                                     |
|---------------------------------|-------------------------------------|
| 1 Závěr *                       | 20 Pružina vyťahovače               |
| 2 Hlaveň *                      | 21 Pružina záchytu závěru           |
| 3 Zápalník (sestava)            | 22 Pružina spoušťové páky (2x)      |
| a) Zápalník                     | 23 Pružina zádržky zásobníku *      |
| b) Držák pružiny (2x)           | 24 Pružina vypínače spoušťové páky  |
| c) Kontejner zápalníku          | 25 Pružina demontážní destičky      |
| d) Automatická pojistka         | 26 Pružina pojistky spouště         |
| e) Pružina bicí                 | 27 Kolík zádržky zásobníku *        |
| f) Pružina automatické pojistky | 28 Čep spoušťové páky               |
| g) Čep automatické pojistky     | 29 Kolík pružiny spoušťové páky     |
| 4 Přední blok                   | 30 Čep vyťahovače *                 |
| 5 Zadní blok                    | 31 Svinutý kolík zadního bloku (2x) |
| 6 Záchyt závěru                 | 32 Svinutý kolík předního bloku     |
| 7 Spoušťová páka                | 33 Kolík hřbetu                     |
| 8 Zádržka zásobníku *           | 34 Čep pojistky spouště             |
| 9 Čep zádržky zásobníku *       | 35 Čep předního bloku               |
| 10 Vypínač spoušťové páky *     | 36 Šroub mušky *                    |
| 11 Demontážní destička          | 37 Šroub hledí *                    |
| 12 Vytahovač                    | 38 Muška *                          |
| 13 Rám *                        | 39 Zásobník *                       |
| 14 a) Hřbet "S"                 | 40 Krytka se šrouby *               |
| b) Hřbet "M"                    | 41 -                                |
| c) Hřbet "L"                    | 42 -                                |
| 15 Spoušť                       | 43 -                                |
| 16 Pojistka spouště             | 44 Chránitko závitů *               |
| 17 Krytka závěru                | 45 -                                |
| 18 Kostka demontážní destičky   | 46 Hledí                            |
| 19 Pružina vratná *             |                                     |

\* Takto označené součástky jsou u jednotlivých provedení odlišné, případně u některých provedení zcela chybí.

### SEZNAM OBRÁZKŮ

1. Názvosloví hlavních dílů
2. Vyjmutí zásobníku
3. Plnění zásobníku
4. Nabíjení pistole
5. Vypuštění závěru ze "střelecké pohotovosti" stlačením záchyty závěru
6. Výměna hřbetu rukojeti
7. Nastavení závěru do demontážní polohy
8. Zatlačení demontážní destičky
9. Sejmutí závěru

Výrobce si ponechává právo provést změny, které považuje za nezbytné pro vylepšení svých modelů, nebo aby vyhověl požadavkům výrobní nebo obchodní povahy.

**Bevor Sie die Pistole benutzen, machen Sie sich bitte mit dieser Anleitung und besonders mit den folgenden Sicherheitsbestimmungen vertraut.**

Durch falschen und nachlässigen Umgang mit der Pistole kann es zu einem unbeabsichtigten Schuß kommen, der Personen- oder Sachschaden verursachen kann. Die gleichen Folgen können Korrosion, eigenmächtige Veränderungen an der Waffe oder der Gebrauch von nicht vorschriftsmäßiger bzw. beschädigter Munition haben. In diesen Fällen kann der Hersteller keine Verantwortung für die entstandenen Folgen übernehmen. Die Pistole wurde vom Hersteller sorgfältig getestet, überprüft und verpackt. Nachdem die Pistole das Herstellerwerk verlassen hat, kann CZ den weiteren Umgang mit ihr nicht kontrollieren. Überprüfen Sie deshalb beim Kauf der Waffe, dass die Pistole ungeladen und unbeschädigt ist.

Diese Bedienungsanleitung sollte der Pistole immer beigelegt werden. Dies gilt auch für den Fall des Verleihs oder Verkaufs der Pistole.

## INHALT

|  |    |
|--|----|
| SICHERHEITSBESTIMMUNGEN                      | 47 |
| BESCHREIBUNG DER PISTOLE                     | 49 |
| Sicherheitselemente                          | 51 |
| GEBRAUCHSANWEISUNGEN                         | 52 |
| Munition                                     | 52 |
| Herausnehmen des Magazins                    | 52 |
| Füllen des Magazins                          | 52 |
| Laden der Pistole                            | 53 |
| Nachladen während des Schießens              | 53 |
| Entladen der Pistole                         | 53 |
| Einstellen der Visiereinrichtungen           | 53 |
| Austausch des Handgriffrückens               | 54 |
| Montage des Kollimatorvisiers                | 54 |
| PFLEGEANWEISUNGEN                            | 54 |
| Zerlegen zur Reinigung                       | 54 |
| Ausbau des Magazins                          | 55 |
| Reinigung der Pistole                        | 55 |
| Reinigung des Schalldämpfers                 | 55 |
| Reinigung von Laufbohrung und Patronenkammer | 56 |
| Reinigung der anderen PISTOLENTEILE          | 56 |
| Konservierung                                | 57 |
| Abfallentsorgung                             | 57 |
| BEHEBUNG VON FUNKTIONSTÖRUNGEN               | 58 |
| VERZEICHNIS DER BESTANDTEILE                 | 60 |
| VERZEICHNIS DER ABBILDUNGEN                  | 61 |

## SICHERHEITSBESTIMMUNGEN

Bitte beachten Sie die folgenden Sicherheitsbestimmungen zu Ihrer eigenen Sicherheit und zur Sicherheit anderer Personen.

1. Gehen Sie mit Ihrer Pistole immer so um, als ob sie geladen wäre.
2. Zielen Sie mit Ihrer Pistole nie auf ein Objekt, auf das Sie nicht schießen wollen.
3. Vertrauen Sie nicht darauf, wenn Ihnen jemand sagt, daß die Pistole nicht geladen ist.
4. Bevor Sie die Pistole ablegen oder an eine andere Person übergeben, überzeugen Sie sich immer davon, daß sie nicht geladen ist.
5. Tragen bzw. verwahren Sie die Pistole ungeladen.
6. Benutzen Sie die Pistole nie zu einem anderen Zweck als zum Schießen.
7. Lassen Sie die Pistole nie ohne Aufsicht gespannt und geladen.
8. Vor dem Laden der Pistole überzeugen Sie sich stets davon, daß Laufbohrung, Kammer und Verschluss sauber und frei von Hindernissen sind. Reinigen Sie die vom Schießen verschmutzte Pistole möglichst bald nach der Benutzung, damit Funktion und Sicherheit der Waffe gewährleistet bleiben.
9. Nicht mit der Waffe schießen, wenn Sie sich nicht sicher sind, was für Munition Sie benutzen. Keine nicht gekennzeichnete oder wiedergeladene Munition unbekannter Herkunft, Munition mit geplatzt, deformierter oder eingebeulter Hülse oder beschädigte Munition benutzen. Das Wiederladen ist eine spezialisierte Tätigkeit und falsch geladene Munition kann extrem gefährlich sein. Folge können schwere Beschädigung oder die Zerstörung der Waffe und ernste Verletzungen oder Tod des Schützens oder auch weiterer Personen sein. Benutzen Sie nur saubere, trockene, original in der Fabrik gefertigte Munition von hoher Qualität, die für Ihr Pistolenkaliber geeignet ist.
10. Vermeiden Sie vor und während des Schießens den Genuß von Alkohol und nehmen Sie keine Drogen ein.
11. Tragen Sie beim Schießen immer Gehörschutz und Schutzbrille.
12. Blockieren Sie niemals das Auswurffenster und achten Sie darauf, daß niemand in Auswurfrichtung der Patronenhülse steht.
13. Drücken Sie niemals auf den Abzug und legen Sie niemals den Finger in den Abzugsbügel hinein, wenn Sie nicht auf ein Objekt zielen oder noch nicht zum Schießen bereit sind.



## **BEDIENUNGSANLEITUNG**

---

14. Bevor Sie den Abzug betätigen, kontrollieren Sie noch einmal Ihr Ziel und den Raum hinter ihm. Das Projektil kann die Zielscheibe durchschlagen oder am Ziel vorbei noch einige hundert Meter weit fliegen.
15. Schießen Sie nie auf harte bzw. flüssige Oberflächen wie Stein oder Wasser.
16. Schießen Sie nicht, wenn sich in der Nähe ein Tier befindet, das nicht an diesen Lärm gewöhnt ist oder nicht darauf dressiert wurde.
17. Albern Sie nicht herum, wenn Sie die Waffe in der Hand halten.
18. Beim Schussversagen: Im Fall eines Schussversagens halten Sie die Waffe weiter auf das Ziel oder in eine sichere Richtung gerichtet und warten Sie 30 Sekunden ab. Wenn es zu einer verzögerten Zündung gekommen ist, schießt die Patrone während 30 Sekunden ab. Falls der Schuss nicht eintritt, nehmen Sie die Patrone aus dem Lauf und kontrollieren Sie sie. Wenn der Abdruck des Zünders an der Patrone schwach oder kein ist, lassen Sie die Waffe von einem Fachmann vor dem weiteren Schiessen überprüfen.
19. Nicht verschossene Munition aus der Waffe nehmen und sicher gemäß gesetzlicher Vorschriften lagern. Stellen Sie sicher, daß die Pistole nicht geladen ist, bevor Sie die Waffe reinigen, lagern oder transportieren.
20. Bewahren Sie Pistole und Munition in separaten und verschlossenen Behältern außerhalb des Sichtbereichs und des Zugriffs von Kindern bzw. unbefugten Personen auf. Munition immer vor Wärmequellen und offenem Feuer schützen.
21. Verändern Sie keine konstruktiven Details der Pistole. Dies könnte die Funktion und die Sicherheit der Waffe ernsthaft beeinträchtigen.
22. Beachten Sie, daß Korrosion, der Gebrauch falscher bzw. beschädigter Munition, das Fallenlassen der Pistole auf eine harte Oberfläche oder anderer unsachgemäßer Umgang Beschädigungen verursachen können, die auf den ersten Blick nicht sichtbar sind. Wenn dies geschehen ist, sollten Sie die Pistole von einem Fachmann überprüfen lassen.

## BESCHREIBUNG DER PISTOLE

Die in dieser Anleitung verwendeten Bezeichnungen der grundlegenden Pistolenteile sind in Abbildung 1 auf der Innenseite des Umschlages angeführt. Die Namen aller Bestandteile der Pistole finden Sie im Kapitel *Verzeichnis der Bestandteile*.

Die Pistole CZ P-10 ist eine Selbstlade-Handfeuerwaffe mit kurzem Laufrücklauf, die zum Zielschießen auf die Entfernung von 50 m bestimmt ist. Der Pistolenrahmen ist aus Kunststoff hergestellt. Zu typischen Merkmalen der Pistole gehören:

- ausgewogene Handlage und Balance
- gute Ergebnisse beim instinktmäßigen Schießen (ohne zu zielen)
- niedriger Abzugswiderstand
- hohe Schußgenauigkeit
- hohe Lebensdauer
- hohe Zuverlässigkeit - auch beim Gebrauch unterschiedlicher Geschoßarten
- die Visiereinrichtungen sind auch zum Zielen bei eingeschränkter Sicht geeignet
- nach Abfeuern der letzten Patrone bleibt der Verschluss geöffnet
- die Pistole ist zum Alltagseinsatz als Dienstwaffe geeignet
- die Pistole ist standardmäßig mit doppelseitigem/drehbarem Magazinsperrstück und doppelseitigem Verschlussfang ausgestattet
- der Rahmenvorderteil ist mit Spannuten für die Sonderzubehörfestigung ausgestattet
- Möglichkeit der Erhöhung der Magazinkapazität durch einfachen Wechsel des Magazinbodens

Pistolen CZ P-10 Optics Ready sind fabrikmäßig für einfache und hochstabile Montage moderner, kompakter Kollimatoren bewährter Marken (z.B. Trijicon, Vortex, Meopta, Leupold) vorbereitet. Zu den Hauptvorteilen der Pistolen CZ Optics Ready (weiter nur OR) gehören:

- außerordentliche Robustheit, Festigkeit und Beständigkeit der Montage
- niedrige Bauhöhe
- einfaches Einschließen des Kollimators auch auf größere Entfernungen
- Anwendung erhöhter mechanischer Co-Witness-Visiervorrichtungen bei einem Versagen der Optik möglich (bei CZ P-10 C OR in der Standardausführung)

## BEDIENUNGSANLEITUNG

---

- Kompatibilität mit vielen bewährten Kollimatoren (Optik nicht im Lieferumfang)
- Design ist der Form der Pistole CZ angepasst

Die Pistolen CZ P-10 Suppressor Ready sind fabrikmäßig für einfachen Anbau eines Schalldämpfers (z.B. vom Hersteller G.I.S.) vorbereitet. Zu den Hauptvorzügen der Pistole CZ Suppressor Ready (weiter nur SR) gehören:

- einfache Anwendermontage des Schalldämpfers
- Anschlussschnittstelle 1/2" x 28 UNEF – 3A
- Rektifizierung des Einschießens des empfohlenen Schalldämpfers möglich
- einfacher Abbau für das Reinigen
- hohe Visiervorrichtung bei der SR Ausführung der Pistole direkt aus der Produktion

Die Pistolen CZ P-10 Optics & Suppressor Ready sind fabrikmäßig vorbereitete Waffen für die einfache und hochstabile Montage moderner, kompakter Kollimatorvisiere in Kombination mit einem Schalldämpfer. Česká zbrojovka a.s. empfiehlt für die Anwendung bei Pistolen der Familie CZ P-10 den wiederholt getesteten Schalldämpfer des tschechischen Herstellers G.I.S. mit Impulsvorrichtung.

Hinweis: Die Benutzung eines Schalldämpfers belastet die Konstruktion der Waffe und stellt höhere Ansprüche an die verwendete Munition. Die unten genannten Empfehlungen wurden so festgelegt, dass eine maximal mögliche Zuverlässigkeit der selbstladenden Waffen bei ihrer Benutzung mit Schalldämpfern in Kombination mit installiertem Kollimatorvisier erreicht wird.

Für die richtige Funktion der Pistole CZ P-10 Optics & Suppressor Ready mit Benutzung eines Schalldämpfers in Kombination mit installiertem Kollimatorvisier empfiehlt der Hersteller:

- die Benutzung von fabrikgefertigter subsonischer Munition Kaliber 9x19 mit Geschossgewicht 150 oder 158 gr (mit Standardmündungsgeschwindigkeiten des Geschosses dieses Kalibers)
- an der OR-Schnittstelle des Verschlusses Installation eines Kollimatorvisiers mit max. Gewicht 35 g
- festen Sitz des Schalldämpfers auf dem Laufgewinde nach Verschießen von max. 2 vollen Magazinen überprüfen

- festgezogene Gesamtgruppe des Schalldämpfers nach Anleitung in der Schalldämpferanleitung überprüfen
- das Benutzen eines Schalldämpfers kompakter Größe für die Pistole CZ P-10, bei SC und F kann ein Schalldämpfer in Standardgröße benutzt werden
- wenn kein Schalldämpfer installiert ist, immer das Gewinde und die Laufmündung mit einer Abdeckung schützen
- in den festgelegten Intervallen nach Empfehlungen des Herstellers reinigen und schmieren, siehe Bedienanleitung des Schalldämpfers
- wenn die Pistole nur für das Schießen mit installiertem Schalldämpfer und Kollimatorvisier benutzt wird, die Rückholfedergruppe nach Schießen von 2.000 Schuss präventiv auswechseln

### Erklärung der Fachausdrücke:

#### *SA mit Vorspannung (Single Action)*

Die einfach wirkende Funktion des Abzugsmechanismus mit Vorspannung Vor dem Schuss wird der Schlagmechanismus mit parallel laufendem Schlagbolzen teilweise gespannt, bei Drücken des Abzugs spannt er sich weiter und wird dann gelöst. Nach jedem Schuss muss der Abzug kurz gelöst werden.

### **Sicherheitselemente**

#### *Abzugsbügel*

Verhindert das unbeabsichtigte Abzugsbetätigen, z.B. beim Fallenlassen der Pistole.

#### *Fallsicherung*

Minimalisiert das Risiko eines ungewollten Schusses bei ungeignetem Umgang mit der Waffe, insbesondere beim Fallen der geladenen Pistole, wo durch die Trägheit des Zündstiftes Schussgefahr besteht.

#### *Abzugssicherung*

Verhindert ungewollte Bewegung des Abzuga. Solange die Abzugssicherung nicht entsichert ist, kann der Abzug nicht gedrückt werden und kein Schuss abgehen.

#### *Blockierung des Zündstiftes*

Sie blockiert eine Bewegung des Zündstiftes, wenn der Abzug nicht gedrückt ist.

## GEBRAUCHSANWEISUNGEN

### Munition

Immer Munition zulässiger Produktionsausführung, die die Normen für Munitionshersteller erfüllen und von der C.I.P. (Ständige Internationale Kommission für die Prüfung von Handfeuerwaffen), bzw. SAAMI (amerikanische Norm für Waffen und Munition) genehmigt sind. Der Gebrauch von anderen Patronen kann Waffenbeschädigungen oder Verletzungen des Schützen verursachen. Bei der Benutzung von Fabrikmunition mit Standardgeschwindigkeit ist die Benutzung der Waffen der Česká zbrojovka a.s. sicher. Kontrollieren Sie die Munition, die Sie benutzen wollen, damit Sie die Sicherheit haben, dass sie dem Kaliber Ihrer Waffe entspricht. Bei kommerziell produzierter Munition ist auf jeder Patrone das Kaliber klar auf dem Boden oder am Bodenrand gekennzeichnet. Der Hersteller empfiehlt mit dieser Waffe nicht Schießen ohne Patronen in erhöhtem Maße. Für das sog. „Trockentraining“ ist die Benutzung von zu diesem Zweck angepassten Patronenentladern geeignet. Bei Benutzung eines Schalldämpfers wird die Benutzung von subsonischer Munition empfohlen, ansonsten wird die Standzeit des Schalldämpfers gekürzt.

### Herausnehmen des Magazins

Die Pistole ist mit beidseitigem/drehbarem Magazinsperrstück ausgestattet. Die Pistole in rechte (linke) Hand nehmen, mit Daumen (Mittelfinger) das Magazinsperrstück (Abb. 2) drücken. Danach löst sich das Magazin und fällt aus dem Rahmen heraus.

### Füllen des Magazins

Greifen Sie das Magazin, mit der Magazinmündung nach oben gerichtet, in die Hand. Legen Sie die Patrone auf den Vorderteil des Zubringers und drücken Sie sie hinab und nach unten, bis zu Magazinshinterwand (Abb. 3). Die nächste Patrone legen Sie auf die vorherige und stecken Sie sie auf die gleiche Weise ein. Falls sich schon eine größere Patronenmenge im Magazin befindet, ist zu empfehlen, mit dem Daumen der magazinhaltenden Hand, die Patronensäule etwas herabzudrücken.

Die Patronenanzahl im Magazin können Sie durch die Kontrolllöcher feststellen. Versuchen Sie die Magazinkapazität nicht zu überschreiten, denn dies könnte ein falsches Zuführen der ersten Patrone in die Kammer verursachen.

## Laden der Pistole

ZIELEN SIE BEIM LADEN DER PISTOLE IMMER IN EINE SICHERE RICHTUNG!

Stecken Sie das volle Magazin in die Pistole ein und überzeugen Sie sich davon, daß es eingerastet ist.

Durch sehr intensives Anschlagen des Magazins, das vom Hersteller nicht für die jeweilige Rahmengröße ausgelegt ist, kann die Lebensdauer des Patronenauswerfers reduziert werden.

Greifen Sie die Pistole mit der einen Hand am Pistolengriff und fassen Sie mit Daumen und Zeigefinger der anderen Hand an das geriffelte Verschlussstück. Ziehen Sie den Verschluss bis zum Anschlag nach hinten und lassen Sie ihn nach vorne schnappen (Abb. 4). Dadurch werden Abzugs- und Schlagmechanismus vorgespannt und eine Patrone in die Kammer eingeschoben. Jetzt ist die Pistole schußbereit.

## Nachladen während des Schießens

Nach dem Verschießen der letzten Patrone bleibt der Verschluss hinten. Nehmen Sie das leere Magazin heraus und ersetzen Sie es durch ein volles. Drücken Sie mit der Hand, mit der Sie schießen, den Verschlussfang nach unten (Abb. 5) oder ziehen Sie den Verschluss mit der anderen Hand nach hinten und lassen Sie ihn nach vorne schnappen. Die Pistole ist wieder geladen und schußbereit.

## Entladen der Pistole

ZIELEN SIE BEIM ENTLADEN DER PISTOLE IMMER IN EINE SICHERE RICHTUNG!

- nehmen Sie das Magazin heraus
- ziehen Sie den Verschluss nach hinten und überzeugen Sie sich davon, daß die Patrone aus der Kammer gezogen und ausgeworfen wurde
- lassen Sie den Verschluss energisch nach vorne gleiten
- betätigen Sie den Abzug (Sicherheitsschuss in sicheren Raum)

## Einstellen der Visiereinrichtungen

Die Pistole wurde beim Hersteller auf eine Distanz von 15 m (bei CZ P-10 F auf 25 m) so eingeschossen, daß der mittlere Treffpunkt in etwa mit dem Zielpunkt übereinstimmt. Eine Seitenkorrektur ist durch Verschieben des Visiers in der Schwalbenschwanznut und nachfolgende Sicherung mit einer Schraube möglich. Die Höhenkorrektur wird durch Korn austausch gegen ein höheres oder niedrigeres und nachfolgende Sicherung mit Schraube durchgeführt. Die Einschussrektifikation nach Bedienanleitung des Schalldämpfers vornehmen.

### Austausch des Handgriffrückens

Zu jeder Pistole wird ein Satz austauschbarer Rücken geliefert, die die Anpassung der Form des hinteren Handgriffes an den Bedarf des konkreten Anwenders ermöglichen. Der Wechsel des Rückens gegen einen anderen wird nach Herausnehmen des Stiftes am Rücken (Abb. 6). Nach Wechsel des Handgriffrückens wird die Benutzung eines neuen Spannstifts empfohlen.

### Montage des Kollimatorvisiers

Bei der Montage der Platte unter dem Kollimatorvisier empfehlen wir die Verwendung einer Schraubensicherung (z. B. Loctite 243) und das Anziehen der Schrauben mit einem Anzugsdrehmoment von 1,3 Nm. Nach dem Auftragen ist es notwendig, den verwendeten Kleber gemäß den Anweisungen des Herstellers trocknen zu lassen.

Bei der Montage des Kollimatorvisiers sind die Anweisungen des Herstellers zu befolgen.

## PFLEGEANWEISUNGEN

### Zerlegen zur Reinigung

ZIELEN SIE MIT DER PISTOLE IN EINE SICHERE RICHTUNG!

1. Entfernen Sie das Magazin. Die Pistole kann mit eingelegtem Magazin nicht zerlegt werden!
2. ÜBERZEUGEN SIE SICH DAVON, DASS SICH IN DER PATRONENKAMMER KEINE PATRONE BEFINDET!
3. Drücken Sie den Abzug und stellen Sie sicher, dass es in der hinteren Position bleibt.
4. Fassen Sie den Rahmen mit der Handfläche und mit den Fingern der gleichen Hand von oben den Hinterteil des Verschlusses. Mit den Fingern den Verschluss um max. 5 mm nach hinten schieben (Abb. 7).
5. Mit den Fingern der anderen Hand gleichzeitig an beiden Seiten auf die Druckflächen der Demontageplättchen nach unten, bis auf Anschlag drücken (Abb. 8).
6. Den Verschluss aus den Fingern lösen und aus dem Rahmen nehmen (Abb. 9).
7. Aus dem Verschluss die Vorholfeder und zum Schluss den Lauf herausnehmen.

### Bemerkung:

Vor erneuter Montage des Verschlusses an den Rahmen muss der Abzug in hintere (gedrückte) Position gebracht werden, damit es zu keiner Kollision des Verschlusses mit dem Vorsprung auf dem Abzugshebel kommt.

Bis hierher genügt die durchgeführte Zerlegung für eine laufende Waffenpflege. Nach dem Verschießen einer großen Patronenmenge demontieren Sie auch Magazin und übergeben Sie die Pistole dem Waffenmeister zur Schlagbolzenreinigung.

### **Ausbau des Magazins**

Es unterscheidet sich in Abhängigkeit von der Magazinausführung. Ist das Magazin mit einer Öffnung im Magazinboden versehen, drücken Sie durch diese Öffnung den Bodenhalter, und dann schieben Sie den Magazinboden leicht nach vorne heraus. Ist das Magazin im hinteren Teil mit dem schiebenden Magazinhalter versehen, stellen Sie diesen in die Demontagestellung ein, und dann schieben Sie den Magazinboden leicht nach vorne heraus. Dann bedecken Sie den Magazinboden mit dem Daumen, um die Magazinfeder zu halten, und mit der anderen Hand schieben Sie den Magazinboden aus den Führungsschienen heraus. Seien Sie bei dieser Demontage sehr vorsichtig, denn eine herausschnellende Feder kann Verletzungen verursachen.

### HINWEIS:

Demontieren Sie keine weiteren Pistoleteile. Wenn Sie glauben, daß die Pistole eine Einstellung oder Reparatur braucht, wenden Sie sich an eine Fachwerkstatt!

### **Reinigung der Pistole**

Reinigen Sie die Pistole:

- nach jedem Gebrauch
- nach jedem Feuchtwerden
- möglichst bald nach dem Schießen
- unter milden klimatischen Bedingungen wenigstens einmal im Jahr
- unter rauen klimatischen Bedingungen wenigstens einmal im Monat

### **Reinigung des Schalldämpfers**

Den Schalldämpfer nach Bedienanleitung des Schalldämpfers reinigen.



### Reinigung von Laufbohrung und Patronenkammer

Wenn aus der Pistole nicht geschossen wurde oder nur wenige Patronen verschossen wurden, genügt für die Reinigung von Laufbohrung und Patronenkammer ein trockenes, am Wischer befestigtes Läppchen. Führen Sie es in den Verschluss ein und drücken Sie Reinigungsstab und Läppchen nach unten durch das Rohr. Wechseln Sie anschließend das Läppchen. Wiederholen Sie die Prozedur so lange, bis das letzte Läppchen sauber herauskommt.

Wenn die Bohrung stark verschmutzt ist, tragen Sie mit dem Bürstchen in sie und in die Kammer Reinigungslösung auf. Lassen Sie die Lösung etwa 10 Minuten einwirken (die Einwirkungszeit kann sich bei verschiedenen Reinigungsmitteln unterscheiden) und putzen Sie dann die Laufbohrung gründlich mit einem Bürstchen aus. Wischen Sie anschließend Bohrung und Kammer mit einem sauberen Lappen trocken und kontrollieren Sie, ob alle Verbrennungsrückstände beseitigt worden sind. Falls notwendig, wiederholen Sie den Vorgang.

Reinigungsstab und Bürstchen müssen von der Kammer aus in den Lauf eingeführt werden, damit die Laufmündung nicht abgenutzt oder beschädigt wird. Ziehen Sie das Bürstchen durch den ganzen Lauf durch, bevor Sie die Bewegungsrichtung ändern. Falls Sie die Bewegungsrichtung des Bürstchens ändern, solange es sich noch im Lauf befindet, kann sich das Bürstchen möglicherweise im Lauf verspreizen.

### Reinigung der anderen PISTOLENTEILE

Die anderen PISTOLENTEILE (einschließlich der Außenflächen des Laufes) reinigen Sie mit einem trockenen Lappen, einem Messingbürstchen, oder einer alten Zahnbürste. Bei der Reinigung können Sie auch Konservierungsöl oder Petroleum benutzen. Benutzen Sie aber niemals die für die Laufreinigung bestimmte Lösung! Sie könnte in den Fugen zurückbleiben und auf längere Sicht Korrosion verursachen.

Überzeugen Sie sich davon, daß keine Reste vom Läppchen oder Borsten des Bürstchens in einem PISTOLENTEIL zurückgeblieben sind.

Hinweis: Nach Herausnehmen der Spannstifte des Vorder- und des Hinterblocks wird immer der Ersatz durch neue Spannstifte empfohlen.

### **Konservierung**

Wenn Laufbohrung, Patronenlager und alle zugänglichen Bestandteile sauber und trocken sind, wischen Sie diese Teile mit einem in Konservierungsöl getränkten Lappen aus oder benutzen Sie ein Ölspray. Wischen Sie das Restöl ab.

Wischen Sie die Bohrung vor dem Schießen immer trocken aus. Wenn Sie die Pistole bei sehr niedrigen Temperaturen benutzen, beseitigen Sie das Öl aus allen zugänglichen Teilen oder verwenden Sie speziell für diese Bedingungen bestimmte Schmiermittel.

Benutzen Sie das Konservierungsfett nur für die langfristige Lagerung unter schlechten klimatischen Bedingungen. Vor Gebrauch der Pistole muß es gründlich beseitigt werden.

### **Abfallentsorgung**

Produkt- und Verpackungsmaterialien haben bei richtiger Benutzung keine negativen Auswirkungen auf die Gesundheit des Menschen oder auf die Umwelt. Im Bedarfsfall der Entsorgung des Produkts oder seiner Verpackung gilt, dass Metallbestandteile (Stahl und Buntmetalle), Kunststoffe, Holz, Papier und Karton getrennt in den dafür bestimmten Sammelbehälter zu sammeln sind und im Einklang mit lokalen / regionalen / nationalen / internationalen Vorschriften entsorgt werden.

## BEHEBUNG VON FUNKTIONSTÖRUNGEN

Bei einer richtigen Handhabung und Instandhaltung ist die Wahrscheinlichkeit einer Störung minimal. Sollte trotzdem diese Situation eintreten, so richten Sie sich nach folgenden Anweisungen.

**ACHTUNG** - falls es beim Schießen zu einer Funktionsstörung kommt, so erhöht sich die Wahrscheinlichkeit eines unbeabsichtigten Schusses außerordentlich. Halten Sie daher beim Beheben der Störung konsequent die weiter oben angeführten Sicherheitsbestimmungen ein. Zielen Sie ständig in eine sichere Richtung, wenden Sie die Pistole nie gegen sich oder gegen andere Personen, kommen Sie mit den Händen nicht vor die Laufmündung!

Wenn Sie Ihre Pistole für den persönlichen Schutz oder für Dienstzwecke verwenden, so beschaffen Sie sich "Schulungspatronen" und üben Sie das schnelle Beheben der unten angeführten Störungen.

| Störung   | Wahrscheinliche Ursache   | Behebung  |
|---|---|---|
| Die Patrone wird nicht in die Kammer zugeführt oder der Verschluss schließt nicht | Das Magazin ist nicht vollständig eingeschoben oder beschädigt.<br>Die Waffe oder die Patronen sind verunreinigt oder zu stark gefettet.      | Schieben Sie das Magazin ordnungsgemäß ein oder verwenden Sie ein anderes.<br>Reinigen Sie die Waffe und die Patronen, bis sie trocken sind, fetten Sie sie gegebenenfalls leicht ein.                            |
| Zündversager  | Die verwendete Patrone ist defekt.<br>Verunreinigte Öffnung für den Zünder oder ungeeignetes Schmiermittel bei niedriger Umgebungstemperatur. | Falls es nicht zum Schuß kommt, gehen Sie nach Punkt 18 der Sicherheitsbestimmungen vor.<br>Bauen Sie den Zünder ab und reinigen Sie ihn, verwenden Sie gegebenenfalls ein Schmiermittel für Niedrigtemperaturen. |
| "Schwacher Schuß", bei dem die Patronenhülse nicht ausgeworfen wird               | Das Zündhütchen wurde aktiviert, aber in der Patronenhülse war kein Pulver.   | Entladen Sie die Waffe und überzeugen Sie sich, ob das Geschoß nicht im Lauf steckengeblieben ist. Ein eventueller weiterer Schuß könnte den Lauf ernsthaft beschädigen!  |

## BEDIENUNGSANLEITUNG

|                |   |  |
|----------------|---|--|
| Kein Auswerfen | Verunreinigte Patronenkammer, Auszieher oder Munition, gegebenenfalls ungeeignetes Schmiermittel bei niedriger Umgebungstemperatur. | Reinigen Sie die Pistole, bis sie trocken ist, fetten Sie sie gegebenenfalls leicht mit geeignetem Schmiermittel ein. Verwenden Sie neue saubere Munition. |
|----------------|---|--|

Wenn die Störung auf keine oben angegebene Weise behoben werden kann, bzw. die Waffe durch groben Umgang oder Fall beschädigt ist, so vertrauen Sie die Pistole einer Fachwerkstatt zur Durchsicht und Reparatur an.

Bem. Funktionsmängel bei der Benutzung des Schalldämpfers und deren Behebung sind in der Bedienanleitung des Schalldämpfers beschrieben.

### VERZEICHNIS DER BESTANDTEILE

- |                                   |                                     |
|-----------------------------------|-------------------------------------|
| 1 Verschluss *                    | 17 Verschlussabdeckung              |
| 2 Lauf *                          | 18 Würfel des                       |
| 3 Zündstift (Baugruppe)           | Demontageplättchens                 |
| a) Zündstift                      | 19 Vorholfeder *                    |
| b) Federhalter (2x)               | 20 Auszieherfeder                   |
| c) Schlagbolzencontainer          | 21 Verschlussfangfeder              |
| d) Automatische Sicherung         | 22 Abzugshebelfeder (2x)            |
| e) Schlagbolzenfeder              | 23 Magazinsperrstückfeder *         |
| f) Feder der automatischen        | 24 Feder des Abzugshebelschalters   |
| Sicherung                         | 25 Feder des Demontageplättchens    |
| g) Bolzen der automatischen       | 26 Feder der Abzugssicherung        |
| Sicherung                         | 27 Magazinsperrstückstift *         |
| 4 Vorderblock                     | 28 Abzugshebelbolzen                |
| 5 Hinterblock                     | 29 Stift der Abzugshebelfeder       |
| 6 Verschlussfang                  | 30 Auszieherbolzen                  |
| 7 Abzugshebel                     | 31 Spannstift des Hinterblocks (2x) |
| 8 Magazinsperrstück *             | 32 Spannstift des Vorderblocks      |
| 9 Bolzen des Magazinsperrstücks * | 33 Stift des Rückens                |
| 10 Abzugshebelschalter *          | 34 Bolzen der Abzugssicherung       |
| 11 Blockierungshebel              | 35 Bolzen des Vorderblocks          |
| 12 Auszieher                      | 36 Kornschraube *                   |
| 13 Rahmen *                       | 37 Visierschraube *                 |
| 14 a) Rücken "S"                  | 38 Korn *                           |
| b) Rücken "M"                     | 39 Magazin *                        |
| c) Rücken "L"                     | 40 Abdeckung mit Schrauben *        |
| 15 Abzug                          | 41 -                                |
| 16 Abzugssicherung                | 42 -                                |
|                                   | 43 -                                |
|                                   | 44 Gewindeschutz *                  |
|                                   | 45 -                                |
|                                   | 46 Visier                           |

\* Die so gekennzeichneten Bestandteile sind bei den einzelnen Ausführungen verschieden beziehungsweise fehlen sie bei einigen Ausführungen ganz.

### **VERZEICHNIS DER ABBILDUNGEN**

1. Bezeichnungen der Hauptteile
2. Herausnehmen des Magazins
3. Füllen des Magazins
4. Laden der Pistole
5. Entspannen des Verschlusses aus der "Schießbereitschaft" durch Eindrücken des Verschlussfangs
6. Auswechseln des Griffrückens
7. Einstellen des Verschlusses in Demontagestellung
8. Drücken des Demontageplättchens
9. Herausnehmen des Verschlusses

Der Hersteller behält sich das Recht vor, Änderungen vorzunehmen, die er für unerlässlich zur Verbesserung seiner Modelle hält, oder um fertigungstechnischen oder geschäftlichen Anforderungen nachzukommen.

**Avant de commencer à manipuler le pistolet, veuillez prendre connaissance détaillée de ce manuel, avant tout des consignes de sécurité.**

Toute manipulation imprudente ou incorrecte peut provoquer un tir involontaire, ayant pour conséquence possible des blessures, la mort ou des dégâts matériels. Les mêmes conséquences peuvent s'ensuivre lors de modifications non autorisées, de corrosion ou de munitions non spécifiques ou endommagées. Dans ces cas, le fabricant ne prendra aucune responsabilité sur les dommages survenus. Cette arme a été, avant son expédition dans le réseau de vente, testée, examinée avec précautions et emballée. CZ ne peut toutefois contrôler les manipulations survenues après son départ de l'usine. C'est pourquoi nous recommandons, lors de l'achat du pistolet, de contrôler s'il n'est pas endommagé ou chargé.

La présente brochure doit toujours accompagner l'arme, même si vous la prêtez à une tierce personne ou si vous la revendez.

### SOMMAIRE

|  |    |
|--|----|
| CONSIGNES DE SECURITE                    | 63 |
| TERMINOLOGIE ET DESCRIPTION DU PISTOLET  | 65 |
| Eléments de sécurité du pistolet         | 67 |
| INSTRUCTIONS D'UTILISATION               | 68 |
| Munitions                                | 68 |
| Extraction du chargeur                   | 68 |
| Remplissage du chargeur                  | 68 |
| Chargement du pistolet                   | 69 |
| Rechargement au cours de tir             | 69 |
| Déchargement du pistolet                 | 69 |
| Réglage des organes de visée             | 69 |
| Remplacement du dos de la poignée        | 70 |
| Montage du viseur point rouge            | 70 |
| INSTRUCTIONS D'ENTRETIEN                 | 71 |
| Démontage pour le nettoyage              | 71 |
| Démontage du chargeur                    | 71 |
| Nettoyage du pistolet                    | 72 |
| Nettoyage du silencieux                  | 72 |
| Nettoyage du canon et de la chambre      | 72 |
| Nettoyage des autres parties du pistolet | 73 |
| Conservation                             | 73 |
| Traitement des déchets                   | 73 |
| DÉRANGEMENTS                             | 74 |
| LISTE DES PIECES                         | 76 |
| LISTE DES FIGURES                        | 77 |

### CONSIGNES DE SECURITE

Respectez en tout temps les consignes de sécurité suivantes, pour votre propre sécurité et pour la sécurité des autres personnes.

1. Toujours manipuler le pistolet comme s'il était chargé.
2. Ne jamais viser quoi que ce soit qui ne soit pas votre cible.
3. Ne jamais croire personne déclarant que l'arme n'est pas chargée.
4. Avant de ranger l'arme ou de la remettre à une autre personne, toujours s'assurer que l'arme n'est pas chargée.
5. Ranger le pistolet non chargé.
6. Ne jamais utiliser ce pistolet pour des agissements autres que le tir.
7. Ne jamais laisser le pistolet chargé et armé sans surveillance.
8. Avant de charger le pistolet, s'assurer que l'intérieur du canon, la chambre et la culasse sont propres et libres. Nettoyer le pistolet le plus tôt possible après le tir.
9. Ne jamais tirer avec l'arme si vous n'êtes pas certains des munitions que vous utilisez. Ne jamais utiliser de munitions qui ne seraient pas identifiées, qui auraient été manuellement chargées et dont vous ne connaissez pas l'origine. Ne pas utiliser de munitions lorsque les cartouches sont fissurées, déformées ou écrasées, ni de munitions montrant des traces de détérioration. La recharge est une opération spécialisée, devant être réalisée par un spécialiste et toute cartouche ayant été incorrectement (mal) rechargée peut devenir extrêmement dangereuse. Leur utilisation peut être synonyme de détérioration/destruction de votre arme et de blessures graves, voire même mortelles. Utiliser uniquement des munitions propres, sèches et d'origine, fabriquées en usine et de calibre correspondant à votre pistolet.
10. Avant et pendant le tir, ne jamais consommer de boissons alcoolisées ni de drogues.
11. Si les conditions le permettent, utiliser lors du tir des moyens de protection des oreilles et des lunettes spéciales de protection.
12. Ne pas bloquer la fenêtre d'éjection et contrôler que personne ne se trouve dans les environs immédiats de l'arme dans la direction de l'éjection.
13. Ne pas mettre le doigt sur la détente ou dans le pontet si vous ne visez pas la cible ou si vous n'êtes pas prêt au tir.



14. Avant d'appuyer sur la détente, contrôler encore une fois la cible et l'espace derrière la cible. La balle peut traverser la cible ou la manquer et porter à plusieurs centaines de mètres.
15. Ne jamais tirer à la surface de l'eau ni sur des surfaces dures, par exemple de la pierre.
16. Ne pas utiliser le pistolet à proximité d'animaux qui ne sont pas habitués à ce bruit.
17. Ne jamais se permettre des "blagues" avec le pistolet en mains.
18. Raté au tir: Lors d'un raté au tir, attendre 30 secondes dirigeant l'arme en direction de la cible ou vers un lieu sûr. Si l'amorçage est retardé, la cartouche doit tirer dans les trente secondes. Si le tir n'aura pas lieu, enlever la cartouche du canon et la contrôler. Si la trace du percuteur est faible ou absente, remettre l'arme pour contrôle chez un armurier qualifié avant le tir suivant.
19. Avant de nettoyer, de ranger ou de transporter le pistolet, toujours s'assurer qu'il n'est ni chargé, ni armé. Retirer de l'arme toutes les cartouches n'ayant pas été tirées et les ranger ensuite conformément à la législation en vigueur.
20. Ranger le pistolet et les munitions dans un lieu séparé, fermé à clef et hors de portée des enfants et des personnes non autorisées. Toujours protéger les munitions contre les sources de chaleur et les flammes vives.
21. Ne jamais modifier aucune pièce du pistolet. Ceci peut influencer son bon fonctionnement et sa sécurité.
22. Toujours avoir en mémoire que la corrosion, l'utilisation de munitions endommagées, la chute du pistolet sur une surface dure ou toute autre manipulation rude peut être à la source de dommages qui ne sont pas visibles à première vue. Si une telle situation apparaît, laisser contrôler le pistolet par un spécialiste.

### TERMINOLOGIE ET DESCRIPTION DU PISTOLET

Les appellations des éléments principaux du pistolet sont reprises à la figure 1. Les différentes pièces sont reprises dans le chapitre "Liste des pièces".

Le pistolet CZ P-10 est une arme à chargement automatique dont le canon a un recul court. Ce pistolet est destiné pour tirer jusqu'à 50 mètres. Le mécanisme de la culasse est verrouillé. Ce pistolet est équipé d'un mécanisme de détente à but unique, précontraint, le percuteur rectiligne est bloqué par une sûreté intérieure (automatique). La carcasse du pistolet est fabriquée en matière plastique. Parmi les caractéristiques principales du pistolet citons:

- bonne tenue de chaque main
- bons résultats au tir instinctif (sans pointage)
- faible résistance de la détente
- haute précision de tir
- longue durée de vie
- haute fiabilité même avec des balles des types différents
- dispositifs de visée adaptés pour viser en conditions de la visibilité détériorée
- après le tir de la dernière cartouche, la culasse reste ouvert
- convenable à être porté comme une arme quotidienne de service
- en standard, le pistolet est équipé d'un arrêteur du chargeur bilatéral/réversible et d'un arrêteur de culasse, bilatéral lui aussi
- carcasse dans la partie avant est modifiée par les rainures de fixation à appliquer des accessoires spéciales
- possibilité d'augmenter la capacité du chargeur en remplaçant très simplement le fond du chargeur

Les pistolets CZ P-10 Optics Ready sont des armes qui ont été modifiées en usine afin qu'il soit possible d'y installer facilement des collimateurs compacts et modernes issus d'une large palette de marques renommées (comme par exemple Trijicon, Vortex, Meopta, Leupold). Grâce à ces modifications, le montage sera également très stable. Parmi les principaux avantages des pistolets CZ Optics Ready (désigné ci-après uniquement « OR »), nous pouvons citer:

- l'extraordinaire robustesse, solidité et résistance du montage
- une hauteur de construction basse
- la simplicité du réglage du collimateur et ce, même pour un tir à longue distance

- la possibilité d'utiliser des éléments de visée mécaniques co-witness élevés en cas de défaillance des dispositifs optiques (en standard sur le modèle CZ P-10 C OR)
- la compatibilité avec un grand nombre de collimateurs chevrons (le dispositif optique ne fait pas partie des fournitures)
- un design assorti à la forme des pistolets CZ d'origine

Les pistolets CZ P-10 Suppressor Ready sont des armes qui ont été modifiées en usine pour qu'il soit possible d'y installer facilement un silencieux (par exemple de la marque G.I.S.). Parmi les principaux avantages des pistolets CZ Suppressor Ready (désignés ci-après uniquement « SR »), nous pouvons citer :

- la simplicité du montage d'un silencieux
- une interface de raccordement 1/2" x 28 UNEF – 3A
- la possibilité de rectifier le réglage de la précision du tir avec le silencieux recommandé
- un démontage simple pour les besoins du nettoyage
- des organes de visée hauts sur la version SR du pistolet, directement en sortie de l'usine

Les pistolets CZ P-10 Optics & Suppressor Ready sont des armes qui ont été modifiées en usine pour qu'il soit possible d'y installer des viseurs point rouge modernes et compacts combinés à un silencieux. Ce montage est simple et très stable. Pour les pistolets de la famille des CZ P-10, la société CZ vous recommande d'utiliser un silencieux de la marque tchèque G.I.S. qui est équipé d'un dispositif à impulsions et qui a été maintes fois testé.

Avertissement : L'emploi d'un silencieux signifie de plus importants efforts pour la structure de l'arme et impose également de respecter des exigences plus strictes en matière de munitions. Les recommandations ci-dessous ont été établies de manière à garantir un taux de fiabilité maximal aux armes semi-automatiques lorsqu'elles sont utilisées avec un silencieux combiné à un viseur point rouge installé.

Pour que les pistolets CZ P-10 Optics & Suppressor Ready fonctionnent correctement lorsque vous utilisez un silencieux combiné à un viseur point rouge installé, le fabricant vous recommande :

- d'opter pour des munitions subsoniques d'usine, de calibre 9x19, avec ogives de 150 ou 158 grains (dont les vitesses en sortie de canon sont standards pour les munitions subsoniques de ce calibre) ;

- d'installer sur l'interface OR de la culasse des viseurs point rouge dont la masse est de max. 35 g ;
- de contrôler le serrage du silencieux sur le filetage du canon après avoir tiré un maximum de 2 cartouches de gaz ;
- de contrôler le serrage général de l'ensemble du silencieux en fonction de ce qui est indiqué dans la notice utilisateur du silencieux ;
- d'utiliser un silencieux de taille compacte, conçu pour les pistolets CZ P-10 C. Sur les versions SC et F, il est également possible d'utiliser un silencieux de taille standard ;
- de toujours recouvrir le filetage et la bouche du canon à l'aide du capuchon du filetage si aucun silencieux n'est installé ;
- d'effectuer le nettoyage et le graissage aux intervalles prescrits et définis par le fabricant – voir la notice utilisateur du silencieux ;

de remplacer préventivement l'ensemble du ressort de rappel après avoir tiré 2 000 coups lorsque le pistolet n'est utilisé que pour le tir avec silencieux et viseur point rouge.

### Explications:

#### *SA avec précontrainte (Single Action)*

Action simple du mécanisme de détente, avec précontrainte. Avant de procéder au tir, le dispositif de percussion à percuteur rectiligne doit être partiellement tendu. Lorsque vous appuyez sur la détente, il se tendra complètement avant de se détendre. Après chaque tir, il est nécessaire de relâcher brièvement la détente.

### **Eléments de sécurité du pistolet**

#### *Pontet*

Il empêche un appui inopiné de la détente, par exemple lors de la chute du pistolet.

#### *Sûreté anti-chute*

Ce dispositif minimise le risque de tir involontaire suite à une manipulation incorrecte de l'arme, et plus particulièrement en cas de chute de l'arme alors qu'elle est chargée - risque de tir en raison de l'inertie du percuteur.

#### *Sûreté de la détente*

Cette sûreté empêche la détente de se mouvoir de manière involontaire. Tant que la sûreté de la détente n'aura pas été désactivée, il ne sera pas possible d'appuyer sur la détente et donc de tirer.

### *Blocage du percuteur*

Cette sûreté empêche le percuteur de se déplacer tant que vous n'appuyez pas sur la détente.

## INSTRUCTIONS D'UTILISATION

### Munitions

Toujours utiliser des munitions dont la production est autorisée, qui satisfont aux normes en vigueur en termes de munitions et qui ont été approuvées par l'organisation CIP (Commission internationale permanente pour les épreuves d'armes et munitions) ou SAAMI (Standard américaine pour les armes et munitions). L'utilisation d'autres munitions peut être source de dommages à l'arme ou de blessures pour le tireur. Si vous utilisez des munitions d'usine ayant une vitesse standard, l'utilisation des armes de la société Česká zbrojovka a.s. est sûre. Toujours vérifier les munitions que vous envisagez d'utiliser, ceci afin d'être certains qu'elles correspondent au calibre de votre arme. Sur toutes les cartouches fabriquées dans un but commercial, le calibre sera clairement indiqué sur le fond de la cartouche, éventuellement autour du fond de la cartouche. Le fabricant recommande de ne pas utiliser trop souvent l'arme pour réaliser un tir à vide (sans cartouche). Pour un « entraînement à sec », il vous recommande d'utiliser des cartouches factices qui ont été spécialement conçues pour ce type d'utilisation. En cas d'utilisation avec un silencieux, il est recommandé d'utiliser des munitions subsoniques. Dans le cas contraire, la durée de vie du silencieux serait réduite.

### Extraction du chargeur

Le pistolet est équipé d'un arrêtoir du chargeur qui est bilatéral/réversible. Saisir le pistolet avec la main droite (gauche) et par le pouce (médius) appuyer sur l'arrêtoir du chargeur (figure 2). Le chargeur se relâche et tombe de la carcasse.

### Remplissage du chargeur

Tenir le chargeur par la main, ouverture vers le haut. Placer la cartouche au devant de l'élevateur et l'appuyer vers le bas puis vers l'arrière jusqu'à ce qu'elle soit au contact de la face arrière du chargeur (figure 3). La cartouche suivante poser sur la précédente et l'introduire de la même manière. Lorsque le chargeur est presque plein, il est recommandé d'appuyer sur la colonne des cartouches déjà placées avec le pouce de la main qui tient le chargeur.

Le nombre de cartouches dans le chargeur peut être contrôlé au moyen des orifices de contrôle. Ne pas dépasser le nombre prévu de cartouches - ceci pourrait entraîner des problèmes lors du passage de la première cartouche dans la chambre.

### Chargement du pistolet

PENDANT LE CHARGEMENT TENIR LE PISTOLET DIRIGE VERS UN LIEU SUR!

Insérer le chargeur plein dans le pistolet et s'assurer qu'il s'est bien verrouillé par l'arrêt du chargeur.

La durée de vie de l'éjecteur des cartouches peut être considérablement réduite en poussant le chargeur à la butée de manière trop intensive et si le chargeur en question n'est pas conçu pour la taille respective de la carcasse.

Saisir le pistolet d'une main et du pouce et de l'index de l'autre main, tenir fermement la partie rainurée de la culasse. Tirer la culasse vers l'arrière jusqu'à fin de course et le lâcher (figure 4). Le mécanisme de détente et le dispositif de percussion se tendent et une cartouche monte dans la chambre. Le pistolet est ainsi prêt au tir.

### Rechargement au cours de tir

Lorsque la dernière cartouche a été tirée, la culasse reste en position arrière. Enlever le chargeur vide et insérer un chargeur plein. Avec la main qui tient le pistolet, appuyer sur l'arrêt de culasse vers le bas (figure 5) ou par l'autre main tirer la culasse vers l'arrière et la lâcher. Le pistolet est ainsi chargé de nouveau et il est prêt au tir.

### Déchargement du pistolet

TENIR LE PISTOLET DIRIGE VERS UN LIEU SUR!

- enlever le chargeur
- tirer la culasse vers l'arrière et s'assurer que la cartouche a été extraite de la chambre et éjectée
- relâcher énergiquement la culasse vers l'avant
- appuyer sur la détente (tirer un coup de sécurité en dirigeant l'arme vers un espace où il n'existe aucun danger)

### Réglage des organes de visée

Le pistolet a été réglé en usine pour une distance de 15 m (25 m pour le modèle CZ P-10 F) et ce, pour que le point d'impact central soit approximativement identique au point visé. La correction latérale peut être réalisée en déplaçant la hausse dans la queue d'aronde et en l'y fixant à l'aide d'une petite vis. Le réglage de la hauteur se réalise en remplaçant le guidon par un guidon plus ou moins élevé et en le fixant avec une petite vis. La rectification du réglage de la précision du tir avec silencieux est réalisée conformément à ce qui est indiqué dans la notice utilisateur du silencieux.

### **Remplacement du dos de la poignée**

Chaque pistolet est fourni avec un kit de dos de remplacement qui permettront d'adapter la forme arrière de la poignée aux besoins de l'utilisateur. Le remplacement d'un type de dos par un autre se réalise après avoir enlevé la goupille du dos (figure 6). Chaque fois que vous remplacez le dos de la poignée, nous vous recommandons d'utiliser une goupille enroulée neuve pour le dos.

### **Montage du viseur point rouge**

Lors du montage d'une plaquette qui est à mettre en dessous du viseur point rouge, il est préconisé d'appliquer un immobiliseur des filets (par exemple Loctite 243) et serrer des vis à couple de serrage de 1,3 Nm. Après l'application de la colle, cette dernière est à laisser durcir conformément aux consignes du fabricant.

Lors de l'installation du point rouge, suivre les instructions du fabricant.

### INSTRUCTIONS D'ENTRETIEN

#### Démontage pour le nettoyage

DIRIGER LE PISTOLET VERS UN LIEU SUR!

1. Enlever le chargeur. Il est impossible de démonter un pistolet avec un chargeur engagé!
2. S'ASSURER QU'IL N'Y A PAS DE CARTOUCHE DANS LA CHAMBRE!
3. Appuyer sur la détente et vérifier qu'elle est bien restée en position arrière.
4. Prendre le cadre avec la paume d'une main et, par le haut, tenir la partie arrière de la culasse avec les doigts de la même main. Avec vos doigts, déplacer la culasse de maximum 5 mm vers l'arrière (figure 7).
5. Dans le même temps, des deux côtés, presser avec les doigts de votre deuxième main sur les boutons de la plaquette de démontage pour les rabaisser jusqu'à ce qu'ils soient en butée (figure 8).
6. Relâcher les doigts qui maintiennent la culasse et retirer cette dernière du cadre (figure 7).
7. Retirer le ressort de retour de la culasse et retirer enfin le canon.

#### Remarque:

Avant de réinstaller la culasse sur le cadre, il est nécessaire de régler la détente dans sa position arrière (enfoncée). Cette opération est nécessaire pour éviter les collisions entre la culasse et la saillie qui se trouve sur le levier de la détente.

Ce démontage est suffisant pour l'entretien courant. Après avoir tiré un grand nombre de cartouches, démonter aussi le chargeur. Pour nettoyage du percuteur, veuillez confier le pistolet à un armurier.

#### Démontage du chargeur

Il diffère conformément à la construction du chargeur. S'il y a un orifice situé dans le fond du chargeur, appuyez l'arrêt du fond à travers cet orifice et faites sortir le fond du chargeur légèrement vers l'avant. Si le chargeur est muni par un arrêt coulissant à l'arrière du fond, déplacez le dans une position de démontage et ensuite faites sortir le fond du chargeur légèrement vers l'avant. Puis, mettez votre pouce au-dessus du fond pour retenir le ressort et avec votre deuxième main, faites sortir le fond entièrement hors des rainures. Lors de ce démontage, prendre les précautions nécessaires pour que le ressort ne "saute" pas.



### REMARQUE:

Ne pas démonter les autres parties du pistolet. Si vous avez l'impression que l'arme a besoin d'un réglage ou d'une réparation, confiez-la à un atelier spécialisé!

### Nettoyage du pistolet

Nettoyer le pistolet

- après chaque usage
- chaque fois qu'il a été mouillé
- le plus tôt possible après le tir
- au moins une fois par an dans des conditions climatiques modérées
- au moins une fois par mois dans des conditions climatiques sévères

### Nettoyage du silencieux

Nettoyer le silencieux en fonction des recommandations indiquées dans la notice utilisateur du silencieux.

### Nettoyage du canon et de la chambre

Si aucun tir n'a eu lieu ou si seulement quelques cartouches ont été tirées, nettoyer le canon et la chambre avec un chiffon sec fixé sur la tige de nettoyage, jusqu'à ce que le dernier chiffon reste propre.

Si le canon est fortement encrassé, injecter du liquide de nettoyage dans le canon et dans la chambre et laisser agir une dizaine de minutes (cette durée peut varier selon les produits) et nettoyer l'intérieur du canon avec la brosse. Sécher l'intérieur du canon et la chambre avec un chiffon doux et contrôler que tous les dépôts ont été enlevés. Si besoin, répéter cette opération.

Toujours insérer la tige de nettoyage à partir de la chambre pour ne pas endommager la bouche du canon. Pousser la brosse sur toute la longueur du canon sans changer la direction du mouvement. Si ce mouvement est inversé à l'intérieur du canon, la brosse pourrait rester bloquée.

### Nettoyage des autres parties du pistolet

Les autres parties du pistolet (y compris les surfaces extérieures de l'arme) doivent être nettoyées avec un chiffon, une vieille brosse à dents, une brosse en laiton ou un grattoir en bois. Le nettoyage peut se faire soit à l'huile de conservation, soit au pétrole. Ne jamais utiliser les produits destinés au nettoyage du canon, ceux-ci pourraient rester dans les fentes et provoquer de la corrosion.

S'assurer qu'aucun débris de chiffon ou aucun poil de brosse n'est resté entre les pièces du pistolet.

Avertissement : Si les goupilles enroulées du bloc avant ou arrière ont été retirées, nous vous recommandons de toujours les remplacer par des goupilles enroulées neuves.

### Conservation

L'intérieur du canon, la chambre et toutes les parties accessibles, après nettoyage final avec un chiffon doux, peuvent être essuyées avec un chiffon doux imprégné d'huile de conservation; éventuellement utiliser un pulvérisateur à huile. Enlever l'excédent d'huile.

Avant le tir, essuyer à sec l'intérieur du canon. Si le pistolet doit être utilisé à basse température, enlever l'huile de toutes les parties accessibles ou utiliser des lubrifiants spéciaux pour ces conditions climatiques.

N'utiliser la vaseline de conservation que pour l'entreposage de longue durée dans des conditions climatiques sévères; enlever cette vaseline avant toute utilisation du pistolet.

### Traitement des déchets

Si les matériaux du produit et de l'emballage sont traités correctement, ils n'ont aucune incidence négative ni sur la santé humaine ni sur l'environnement. En cas de besoin de l'élimination du produit ou de son emballage, les parties métalliques (l'acier, les métaux non ferreux), les emballages plastiques, le papier et le carton doivent être déposés séparément dans les conteneurs qui y sont destinés et éliminés conformément aux règlements locaux/régionaux/nationaux/internationaux.

### DÉRANGEMENTS

En cas d'entretien régulier et d'utilisation normale, la probabilité de panne est minimale. Si toutefois une telle situation apparaissait, veuillez appliquer les instructions suivantes.

**ATTENTION!** En cas de problèmes en cours de tir, la probabilité d'un tir inattendu augmente fortement. C'est pourquoi les consignes de sécurité doivent rester d'application stricte. Toujours garder l'arme dirigée vers un lieu sûr, ne jamais la diriger vers les personnes présentes, ne jamais placer la main devant la bouche du canon!

Si vous employez votre pistolet pour la protection personnelle ou des raisons de service on recommande de procurer les "cartouches de formation" et apprendre le dépannage rapide des pannes décrites ci-après.

| Problème  | Cause probable   | Elimination du problème   |
|---|--|---|
| La cartouche ne monte pas dans la chambre ou la culasse ne se ferme pas | Le chargeur n'est pas suffisamment enfoncé dans son logement ou est endommagé.<br>L'arme ou les munitions sont fortement encrassées ou trop graissées. | Engager le chargeur à fond ou utiliser un autre chargeur.<br><br>Nettoyer l'arme et les munitions à sec, si besoin légèrement graisser.                                 |
| Percussion ratée  | La cartouche utilisée est défectueuse.<br>L'orifice pour le percuteur est bouché par des impuretés ou par de la graisse à basse température.           | Si même résultat, appliquer le point 18 des consignes de sécurité.<br><br>Démonter et nettoyer le percuteur, si besoin utiliser un lubrifiant pour basses températures. |
| "Coup" faible et non-éjection de la cartouche                           | L'amorce a été percutée, mais la douille ne contient pas de poudre.  | Décharger l'arme et s'assurer que la balle n'est pas restée dans le canon. L'autre projectile éventuel pourrait gravement endommager le canon!                          |
| Pas d'éjection  | Chambre, cartouche ou éjecteur fortement encrassé, éventuellement bloqué par de la graisse à basse température.  | Nettoyer l'arme à sec, si besoin graisser légèrement. N'utiliser que des munitions neuves, propres.   |

## MODE D'EMPLOI

---

Si aucun procédé ci-dessus ne permet d'éliminer le problème, ou bien si l'arme est subie une dégradation due à une manipulation rude ou encore à une chute, veuillez confier votre arme à un atelier spécialisé.

Remarque : Les défauts fonctionnels liés à l'utilisation d'un silencieux et les moyens d'éliminer ces défauts sont décrits dans la notice utilisateur du silencieux.

### LISTE DES PIÈCES

- |                                      |  |
|--------------------------------------|--|
| 1 Culasse *                          | 19 Ressort de retour *                         |
| 2 Canon *                            | 20 Ressort de l'extracteur                     |
| 3 Percuteur (ensemble)               | 21 Ressort de l'arrêtoire de la culasse        |
| a) Percuteur                         | 22 Ressort du levier de la culasse (2x)        |
| b) Support du ressort (2x)           | 23 Ressort de l'arrêtoire du chargeur *        |
| c) Conteneur du percuteur            | 24 Ressort du rupteur du levier de la détente  |
| d) Sûreté automatique                | 25 Ressort de la plaquette de démontage        |
| e) Ressort de percussion             | 26 Ressort de la sûreté de la détente          |
| f) Ressort de la sûreté automatique  | 27 Goupille de l'arrêtoire du chargeur *       |
| g) Goujon de la sûreté automatique   | 28 Goujon du levier de la détente              |
| 4 Bloc avant                         | 29 Goupille du ressort du levier de la détente |
| 5 Bloc arrière                       | 30 Goujon de l'extracteur                      |
| 6 Arrêtoire de la culasse            | 31 Goupille enroulée du bloc arrière (2x)      |
| 7 Levier de la détente               | 32 Goupille enroulée du bloc avant             |
| 8 Arrêtoire du chargeur *            | 33 Goupille du dos                             |
| 9 Axe de l'arrêtoire du chargeur *   | 34 Goujon de la sûreté de la détente           |
| 10 Rupteur du levier de la détente * | 35 Goujon du bloc avant                        |
| 11 Plaquette de démontage            | 36 Vis du guidon *                             |
| 12 Extracteur                        | 37 Vis de hausse *                             |
| 13 Cadre *                           | 38 Guidon *                                    |
| 14 a) Dos « S »                      | 39 Chargeur *                                  |
| b) Dos « M »                         | 40 Chapeau à vis *                             |
| c) Dos « L »                         | 41 -   |
| 15 Détente                           | 42 -   |
| 16 Sûreté de la détente              | 43 -   |
| 17 Cache de la culasse               | 44 Protège-filets *                            |
| 18 Cube de la plaquette de démontage | 45 -   |
|                                      | 46 Hausse                                      |

\* Les pièces marquées avec l'étoile sont différentes pour les versions particulières, éventuellement ils manquent aux quelques modèles.

### LISTE DES FIGURES

1. Dénomination des principaux éléments
2. Extraction du chargeur
3. Remplissage du chargeur
4. Chargement du pistolet
5. Déverrouillage de la culasse de sa « position de stand-by » en appuyant sur l'arrêtoire de la culasse
6. Remplacement du dos de la poignée
7. Comment placer la culasse en position de démontage
8. Comment enfoncer la plaquette de démontage
9. Retrait de la culasse

Le fabricant se réserve le droit de réaliser des modifications nécessaires à l'amélioration de son produit ou répondant à des exigences de caractère technique ou commercial.

POZNÁMKY - NOTES - ANMERKUNGEN - NOTAS - NOTICES

.....

.....

.....

.....

.....

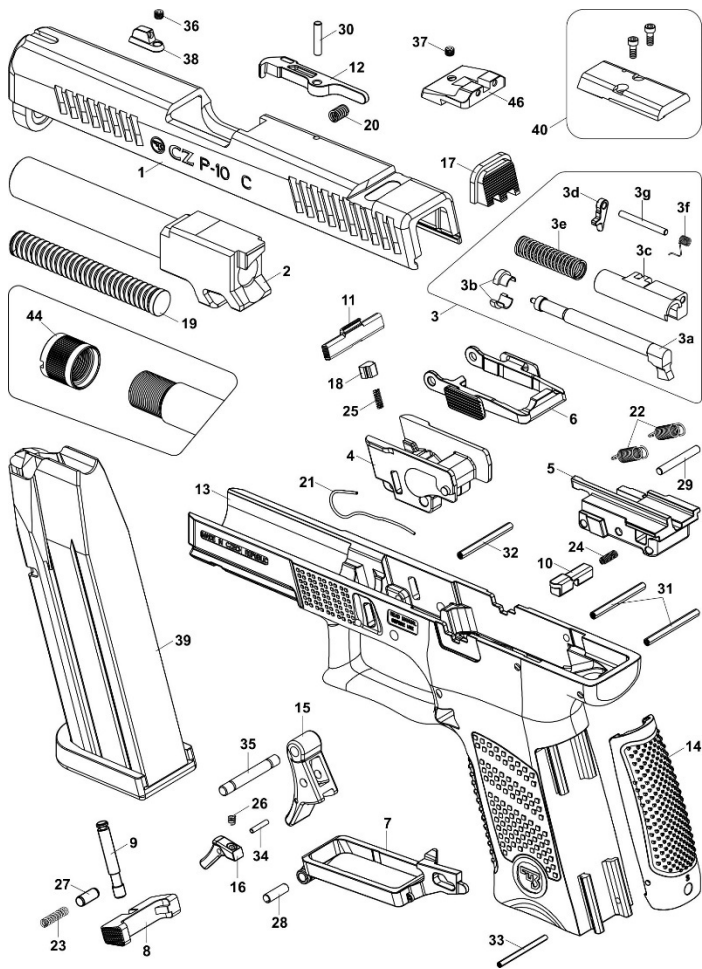
.....

.....

.....

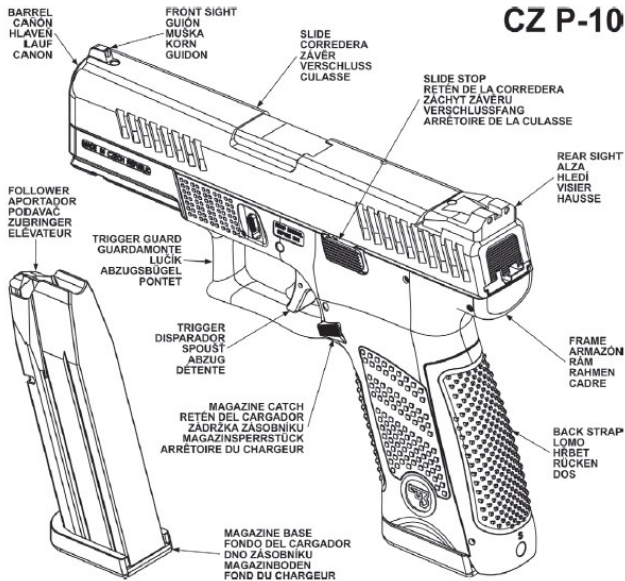
.....

.....





1



2



3



4



5



6



7



8



9



4



5



6



7



8



9

